



Chipsmall Limited consists of a professional team with an average of over 10 year of expertise in the distribution of electronic components. Based in Hongkong, we have already established firm and mutual-benefit business relationships with customers from,Europe,America and south Asia,supplying obsolete and hard-to-find components to meet their specific needs.

With the principle of “Quality Parts,Customers Priority,Honest Operation,and Considerate Service”,our business mainly focus on the distribution of electronic components. Line cards we deal with include Microchip,ALPS,ROHM,Xilinx,Pulse,ON,Everlight and Freescale. Main products comprise IC,Modules,Potentiometer,IC Socket,Relay,Connector.Our parts cover such applications as commercial,industrial, and automotives areas.

We are looking forward to setting up business relationship with you and hope to provide you with the best service and solution. Let us make a better world for our industry!



## Contact us

Tel: +86-755-8981 8866 Fax: +86-755-8427 6832

Email & Skype: info@chipsmall.com Web: www.chipsmall.com

Address: A1208, Overseas Decoration Building, #122 Zhenhua RD., Futian, Shenzhen, China



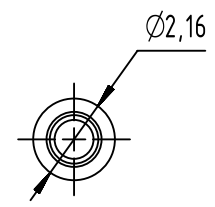
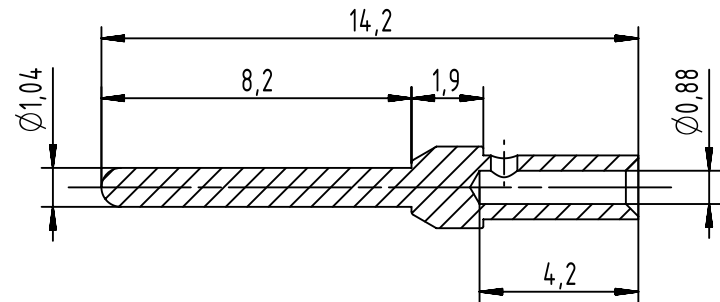
A

B

C

D

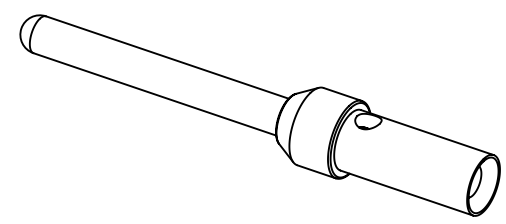
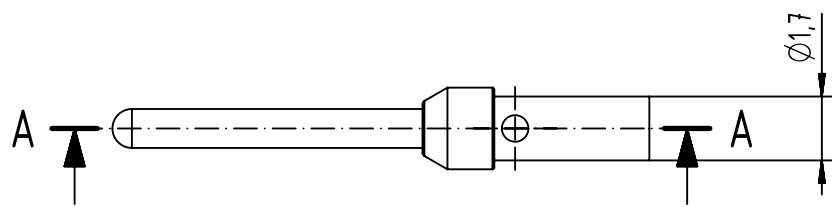
A-A



Crimping AWG 22-26

Hand tool : 09 99 000 0501

Locator: 09 99 000 0531



All Dimensions in mm Original Size DIN A4		Scale 5:1	Free size tol.		Ref.
All rights reserved Department EC PD - FR		Created by DOUGE	Inspected by DE VANSAY	Standardisation HOFFMANN	Date 2015-06-09
HARTING Electronics GmbH D-32339 Espelkamp		Title D-Sub, MA AWG 22-26 crimp cont HMC			State Final Release
Part number 09 67 000 5570 580		PL1 5000		Doc-Key / ECM-Nr. 100189796/UGD/007/A 500000089005	
Part number 09 67 000 5570		PL1 100		Rev. A	
Part number Gold plating (over nickel)		Bulk packaging		Page 1/1	
		Type TB		Number 09670005570	