



Chipsmall Limited consists of a professional team with an average of over 10 year of expertise in the distribution of electronic components. Based in Hongkong, we have already established firm and mutual-benefit business relationships with customers from,Europe,America and south Asia,supplying obsolete and hard-to-find components to meet their specific needs.

With the principle of “Quality Parts,Customers Priority,Honest Operation,and Considerate Service”,our business mainly focus on the distribution of electronic components. Line cards we deal with include Microchip,ALPS,ROHM,Xilinx,Pulse,ON,Everlight and Freescale. Main products comprise IC,Modules,Potentiometer,IC Socket,Relay,Connector.Our parts cover such applications as commercial,industrial, and automotives areas.

We are looking forward to setting up business relationship with you and hope to provide you with the best service and solution. Let us make a better world for our industry!



## Contact us

Tel: +86-755-8981 8866 Fax: +86-755-8427 6832

Email & Skype: info@chipsmall.com Web: www.chipsmall.com

Address: A1208, Overseas Decoration Building, #122 Zhenhua RD., Futian, Shenzhen, China



5

4

3

2

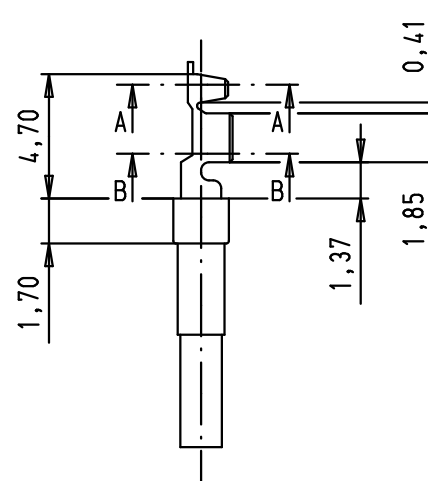
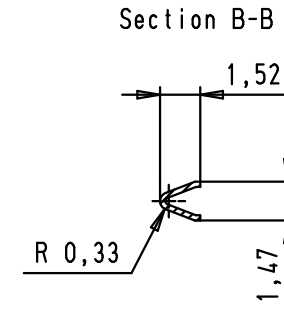
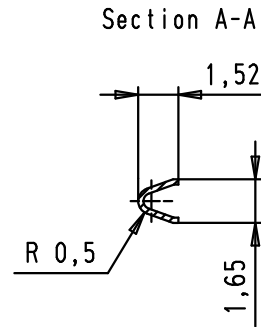
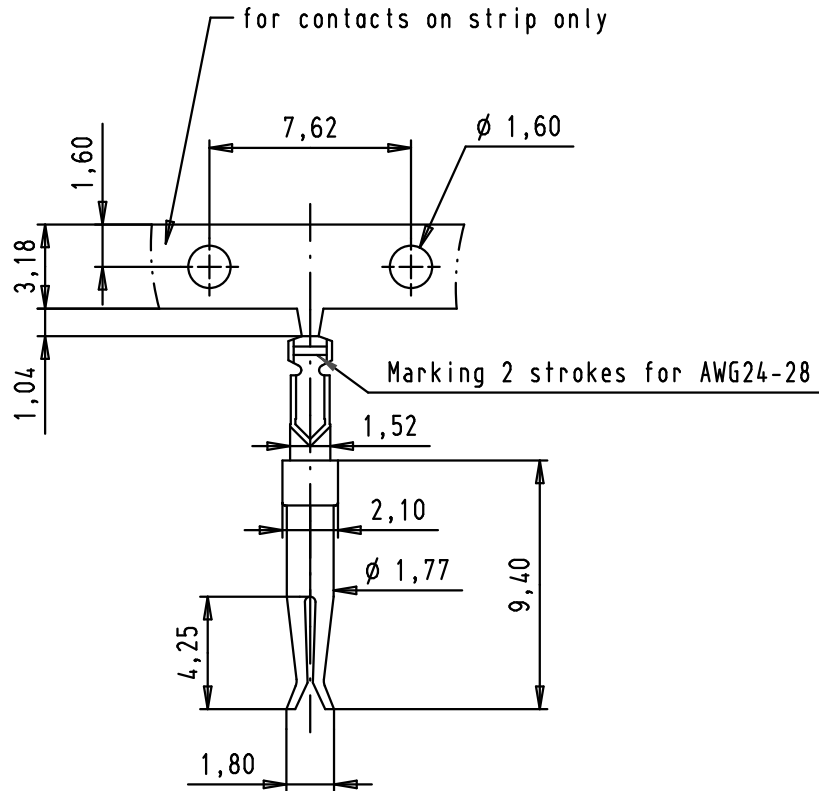
1

D

C

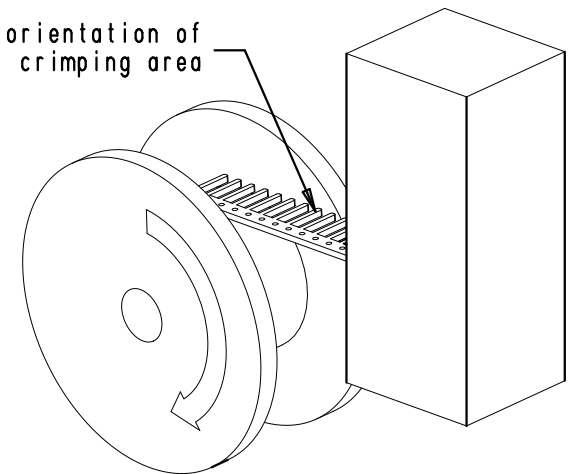
B

A



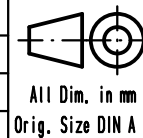
Reel unrolling left reversed

orientation of crimping area



Base material: brass  
 Plating: sliding contact selective gold plated over nickel  
 nickel plated crimp area  
 Number of contacts per reel: 10000

				Dat.	Name
				Detail.	24/03/03 PP
36288	13/01/12	SD		Insp.	13/01/12 JB
33986	24/04/07	PK		Stand.	
33242	17/10/05	JMDR	HARTING EURL F-95972 Paris		
31476	24/03/03	PP			
Mod.	Dat.	Name			



D-Sub, stamped female  
 AWG 24-28 crimp contact, reel  
 unrolling left reversed

Maßstab/  
Scale  
3,5:1

09 67 000 7248	PL2
09 67 000 7247	PL3
09 67 000 7246	PL1
Part number	Performance level

TB 09 67 000 724X

Blatt/ Page  
1 / 1

Sub.

