



Chipsmall Limited consists of a professional team with an average of over 10 year of expertise in the distribution of electronic components. Based in Hongkong, we have already established firm and mutual-benefit business relationships with customers from,Europe,America and south Asia,supplying obsolete and hard-to-find components to meet their specific needs.

With the principle of "Quality Parts,Customers Priority,Honest Operation,and Considerate Service",our business mainly focus on the distribution of electronic components. Line cards we deal with include Microchip,ALPS,ROHM,Xilinx,Pulse,ON,Everlight and Freescale. Main products comprise IC,Modules,Potentiometer,IC Socket,Relay,Connector.Our parts cover such applications as commercial,industrial, and automotives areas.

We are looking forward to setting up business relationship with you and hope to provide you with the best service and solution. Let us make a better world for our industry!



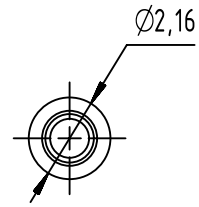
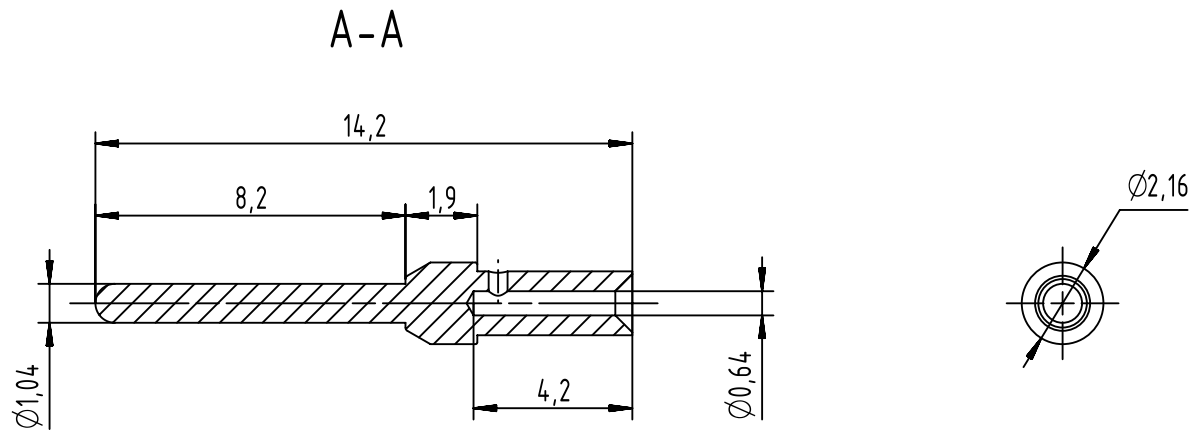
Contact us

Tel: +86-755-8981 8866 Fax: +86-755-8427 6832

Email & Skype: info@chipsmall.com Web: www.chipsmall.com

Address: A1208, Overseas Decoration Building, #122 Zhenhua RD., Futian, Shenzhen, China

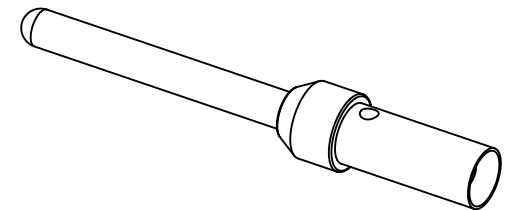
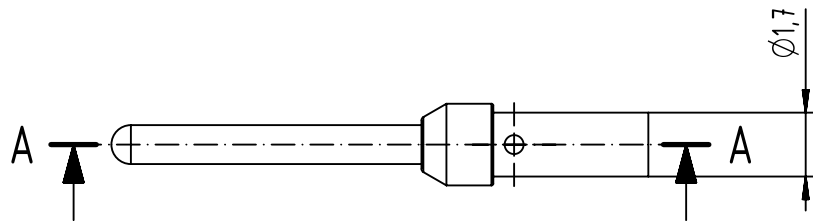




Crimping AWG 24-28

Hand tool : 09 99 000 0501

Locator: 09 99 000 0531



All Dimensions in mm Original Size DIN A4		Scale 5:1	Free size tol.		Ref.
All rights reserved Department EC PD - FR		Created by DOUGE	Inspected by DE VANSAY	Standardisation HOFFMANN	Sub.
HARTING Electronics GmbH D-32339 Espelkamp		Title D-Sub, MA AWG 24-28 crimp cont HMC			Date 2015-06-09 State Final Release
Part number 09 67 000 7570 580 PL1 5000 09 67 000 7570 PL1 100 Gold plating (over nickel) Bulk packaging		Type TB Number 09670007570			Doc-Key / ECM-Nr. 100189791/UGD/007/A 500000089005 Rev. A Page 1/1