

Chipsmall Limited consists of a professional team with an average of over 10 year of expertise in the distribution of electronic components. Based in Hongkong, we have already established firm and mutual-benefit business relationships with customers from,Europe,America and south Asia,supplying obsolete and hard-to-find components to meet their specific needs.

With the principle of “Quality Parts,Customers Priority,Honest Operation,and Considerate Service”,our business mainly focus on the distribution of electronic components. Line cards we deal with include Microchip,ALPS,ROHM,Xilinx,Pulse,ON,Everlight and Freescale. Main products comprise IC,Modules,Potentiometer,IC Socket,Relay,Connector.Our parts cover such applications as commercial,industrial, and automotives areas.

We are looking forward to setting up business relationship with you and hope to provide you with the best service and solution. Let us make a better world for our industry!

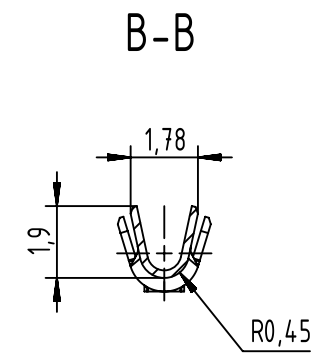
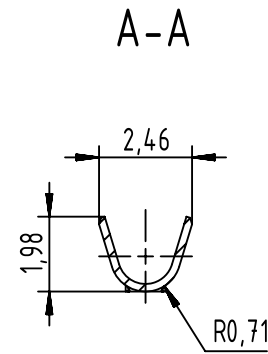
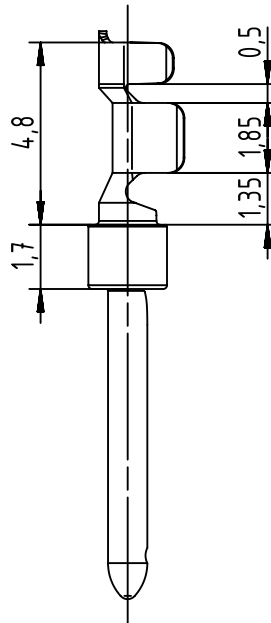
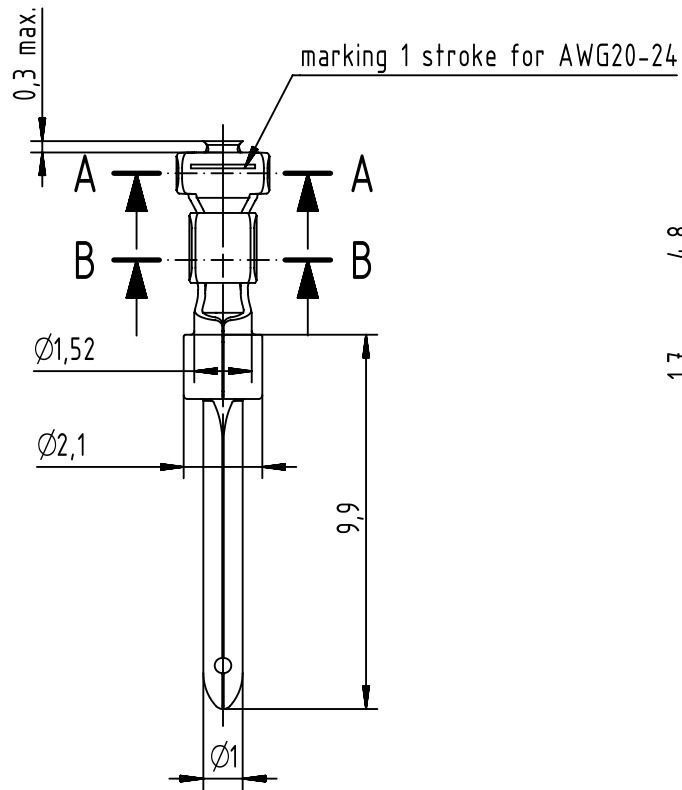


## Contact us

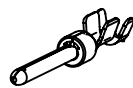
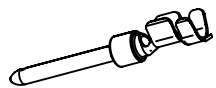
Tel: +86-755-8981 8866 Fax: +86-755-8427 6832

Email & Skype: info@chipsmall.com Web: www.chipsmall.com

Address: A1208, Overseas Decoration Building, #122 Zhenhua RD., Futian, Shenzhen, China



Base material: bronze  
 Plating: sliding contact selective plating over nickel  
 nickel plated crimp area  
 Number of contacts per bag: 500



All Dimensions in mm Original Size DIN A4		Scale 5:1	Free size tol.		Ref.
All rights reserved Department EC PD - FR		Created by SONN	Inspected by BAGDIKIAN	Standardisation HOFFMANN	Sub.
HARTING Electronics GmbH D-32339 Espelkamp		Title D-Sub, stamped male AWG 20-24 crimp contact		Date 2015-01-15	State Final Release
Type TB		Number 0967000817X		Doc-Key / ECM-Nr. 100552298/UGD/001/B 500000083329	Rev. B
Page 1/1					

09 67 000 8178	PL2	PdNi
09 67 000 8177	PL3	Flash Gold
09 67 000 8176	PL1	PdNi
Part number	Performance level	Plating