



Chipsmall Limited consists of a professional team with an average of over 10 year of expertise in the distribution of electronic components. Based in Hongkong, we have already established firm and mutual-benefit business relationships with customers from,Europe,America and south Asia,supplying obsolete and hard-to-find components to meet their specific needs.

With the principle of “Quality Parts,Customers Priority,Honest Operation,and Considerate Service”,our business mainly focus on the distribution of electronic components. Line cards we deal with include Microchip,ALPS,ROHM,Xilinx,Pulse,ON,Everlight and Freescale. Main products comprise IC,Modules,Potentiometer,IC Socket,Relay,Connector.Our parts cover such applications as commercial,industrial, and automotives areas.

We are looking forward to setting up business relationship with you and hope to provide you with the best service and solution. Let us make a better world for our industry!



Contact us

Tel: +86-755-8981 8866 Fax: +86-755-8427 6832

Email & Skype: info@chipsmall.com Web: www.chipsmall.com

Address: A1208, Overseas Decoration Building, #122 Zhenhua RD., Futian, Shenzhen, China



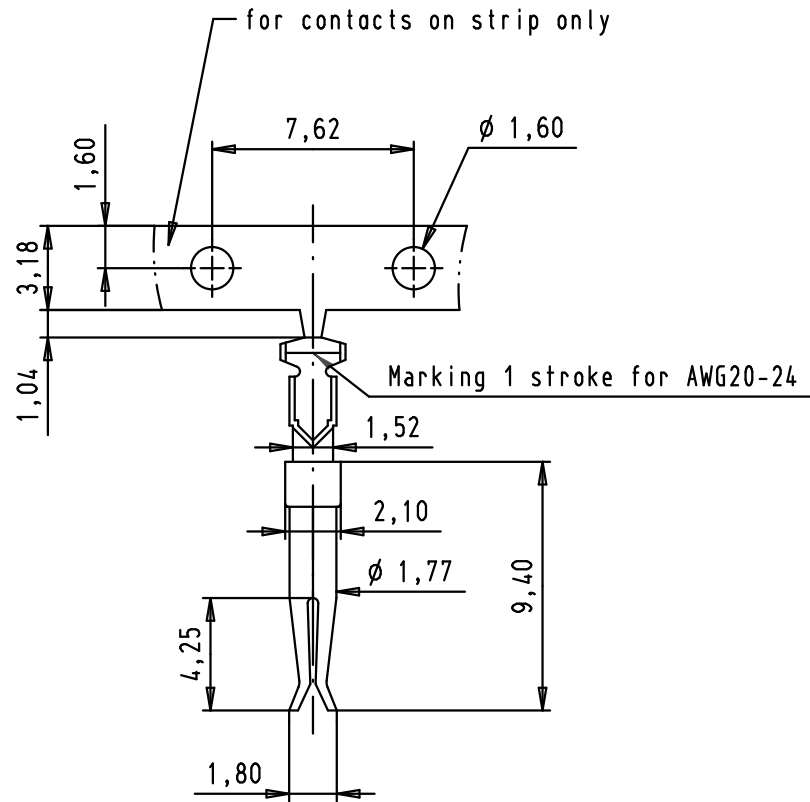
5

4

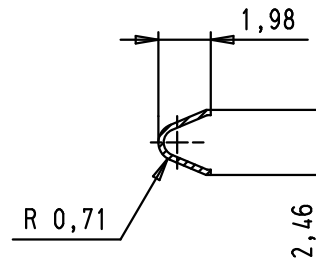
3

2

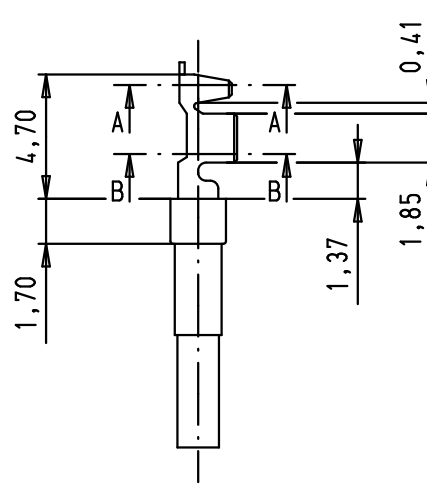
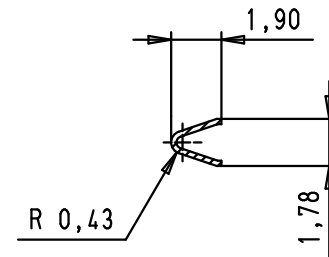
1



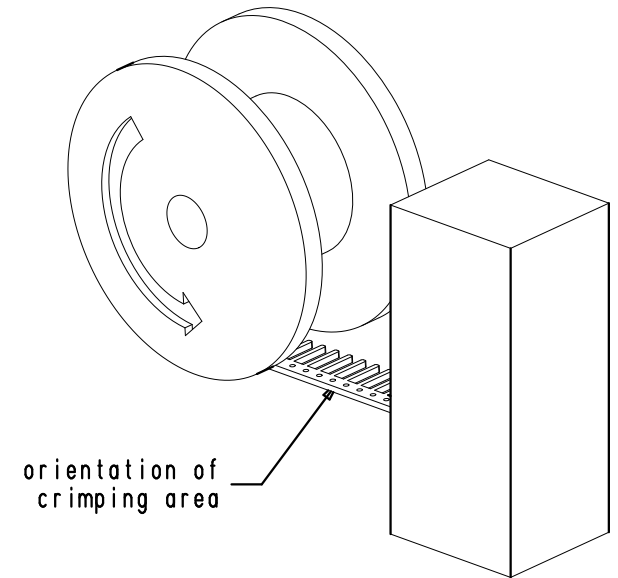
Section A-A



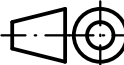

Section B-B



Reel unrolling left



Base material: brass
 Plating: sliding contact selective gold plated over nickel
 nickel plated crimp area
 Number of contacts per reel: 10000

			Det.	Name	 All Dim. in mm Orig. Size DIN A 4
			24/03/03	PP	
36288	13/01/12	SD	Insp. 13/01/12	JB	
33986	24/04/07	PK	Stand.		
33242	17/10/05	JMDR	HARTING EURL F-95972 Paris		
31476	24/03/03	PP			
Mod.	Det.	Name			

D-Sub, stamped female
 AWG 20-24 crimp contact,
 reel unrolling left

Maßstab/
 Scale
 3,5:1

09 67 000 8258	PL2
09 67 000 8257	PL3
09 67 000 8256	PL1
Part number	Performance level

TB 09 67 000 825X

Blatt/ Page
 1 / 1

Sub.