



Chipsmall Limited consists of a professional team with an average of over 10 year of expertise in the distribution of electronic components. Based in Hongkong, we have already established firm and mutual-benefit business relationships with customers from,Europe,America and south Asia,supplying obsolete and hard-to-find components to meet their specific needs.

With the principle of “Quality Parts,Customers Priority,Honest Operation,and Considerate Service”,our business mainly focus on the distribution of electronic components. Line cards we deal with include Microchip,ALPS,ROHM,Xilinx,Pulse,ON,Everlight and Freescale. Main products comprise IC,Modules,Potentiometer,IC Socket,Relay,Connector.Our parts cover such applications as commercial,industrial, and automotives areas.

We are looking forward to setting up business relationship with you and hope to provide you with the best service and solution. Let us make a better world for our industry!



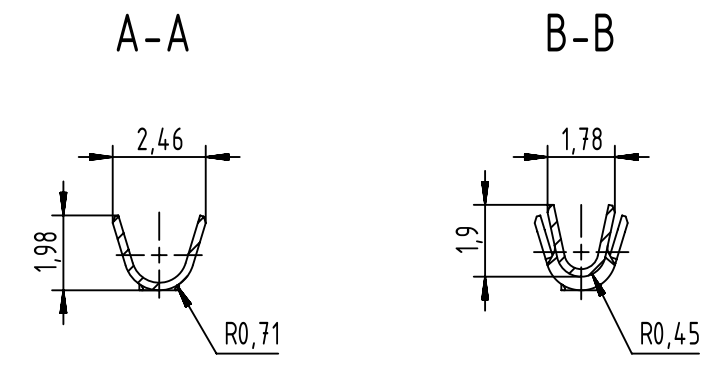
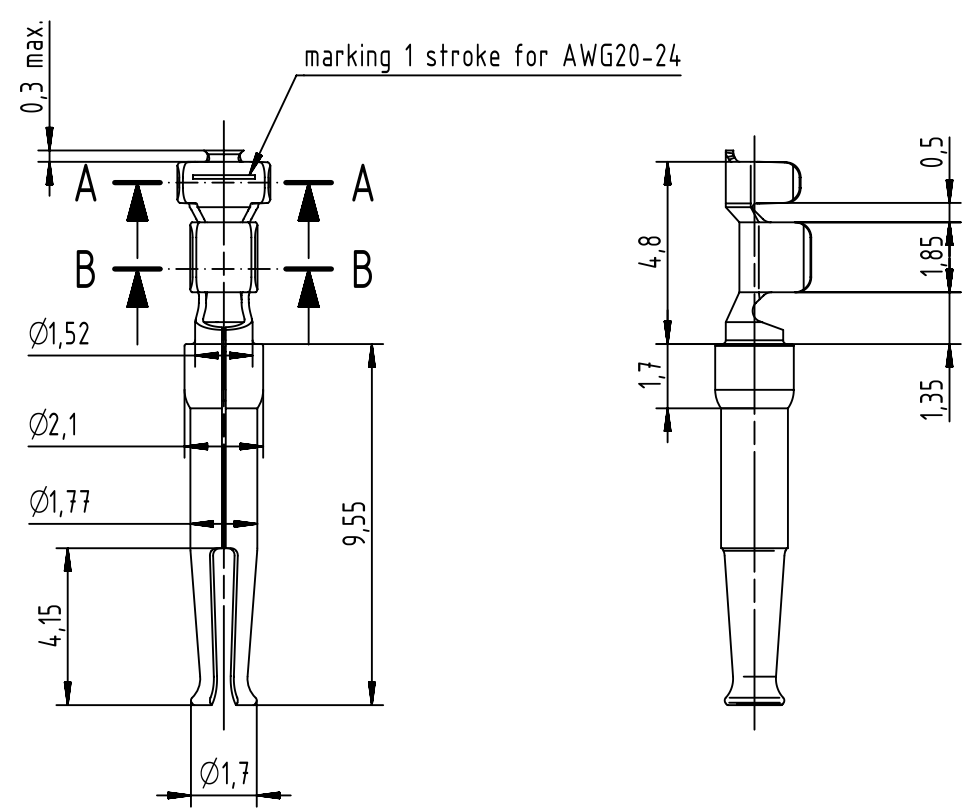
Contact us

Tel: +86-755-8981 8866 Fax: +86-755-8427 6832

Email & Skype: info@chipsmall.com Web: www.chipsmall.com

Address: A1208, Overseas Decoration Building, #122 Zhenhua RD., Futian, Shenzhen, China





Base material: bronze
 Plating: sliding contact selective plating over nickel
 nickel plated crimp contact area
 Number of contacts per bag: 500



All Dimensions in mm Original Size DIN A4		Scale 5:1	Free size tol.		Ref.
All rights reserved Department EC PD - FR		Created by SONN	Inspected by BAGDIKIAN	Standardisation HOFFMANN	Date 2015-01-15
HARTING Electronics GmbH D-32339 Espelkamp		Title D-Sub, stamped female AWG 20-24 crimp contact			State Final Release
Doc-Key / ECM-Nr. 100552269/UGD/002/B 500000083329		Type TB	Number 0967000827X		Rev. B
Page 1/1					

09 67 000 8278	PL2	PdNi
09 67 000 8277	PL3	Flash Gold
09 67 000 8276	PL1	PdNi
Part number	Performance level	Plating