



Chipsmall Limited consists of a professional team with an average of over 10 year of expertise in the distribution of electronic components. Based in Hongkong, we have already established firm and mutual-benefit business relationships with customers from,Europe,America and south Asia,supplying obsolete and hard-to-find components to meet their specific needs.

With the principle of "Quality Parts,Customers Priority,Honest Operation,and Considerate Service",our business mainly focus on the distribution of electronic components. Line cards we deal with include Microchip,ALPS,ROHM,Xilinx,Pulse,ON,Everlight and Freescale. Main products comprise IC,Modules,Potentiometer,IC Socket,Relay,Connector.Our parts cover such applications as commercial,industrial, and automotives areas.

We are looking forward to setting up business relationship with you and hope to provide you with the best service and solution. Let us make a better world for our industry!



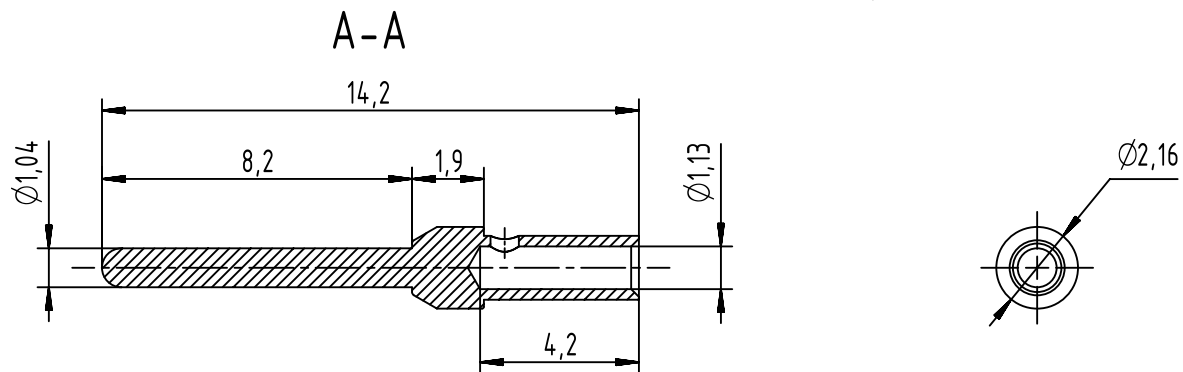
## Contact us

Tel: +86-755-8981 8866 Fax: +86-755-8427 6832

Email & Skype: info@chipsmall.com Web: www.chipsmall.com

Address: A1208, Overseas Decoration Building, #122 Zhenhua RD., Futian, Shenzhen, China

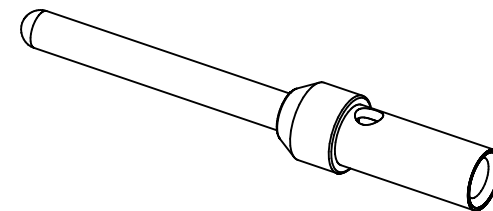
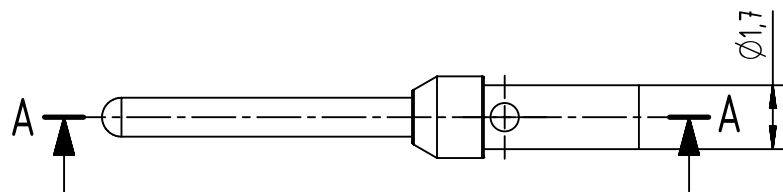




Crimping of AWG 20-24

Hand tool: 09 99 000 0501

Locator: 09 99 000 0531



	All Dimensions in mm Original Size DIN A4		Scale 5:1	Free size tol.		Ref.	
						Sub.	
	All rights reserved		Created by DOUGE	Inspected by DE VANSAY	Standardisation HOFFMANN	Date 2015-06-09	
	Department EC PD - FR					State Final Release	
09 67 000 8570 580	PL1	5000	Title D-Sub, MA AWG 20-24 crimp cont HMC			Doc-Key / ECM-Nr. 100622500/UGD/000/A 500000089005	
09 67 000 8570	PL1	100					
Part number	Gold plating (over nickel)	Bulk packaging	HARTING Electronics GmbH D-32339 Espelkamp		Type TB	Number 09670008570	
						Rev. A	Page 1/1