



Chipsmall Limited consists of a professional team with an average of over 10 year of expertise in the distribution of electronic components. Based in Hongkong, we have already established firm and mutual-benefit business relationships with customers from,Europe,America and south Asia,supplying obsolete and hard-to-find components to meet their specific needs.

With the principle of “Quality Parts,Customers Priority,Honest Operation,and Considerate Service”,our business mainly focus on the distribution of electronic components. Line cards we deal with include Microchip,ALPS,ROHM,Xilinx,Pulse,ON,Everlight and Freescale. Main products comprise IC,Modules,Potentiometer,IC Socket,Relay,Connector.Our parts cover such applications as commercial,industrial, and automotives areas.

We are looking forward to setting up business relationship with you and hope to provide you with the best service and solution. Let us make a better world for our industry!



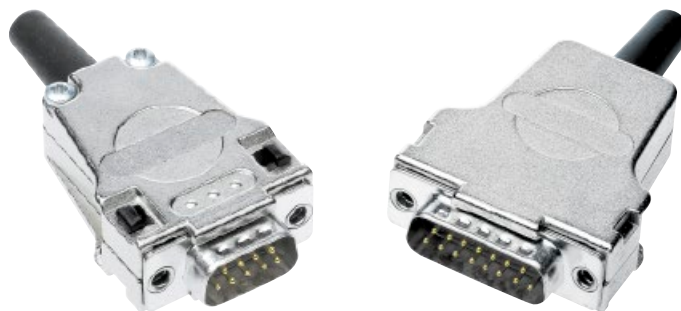
Contact us

Tel: +86-755-8981 8866 Fax: +86-755-8427 6832

Email & Skype: info@chipsmall.com Web: www.chipsmall.com

Address: A1208, Overseas Decoration Building, #122 Zhenhua RD., Futian, Shenzhen, China





Full metal top entry hoods
with premounted threaded inserts

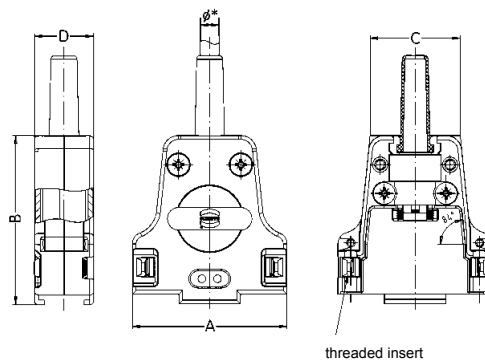
Identification No. of contacts Part number Drawing Dimensions in mm

Top entry hood

9	09 67 009 032
15	09 67 015 032
25	09 67 025 032
37	09 67 037 032
50	09 67 050 032

Please insert digit
for premounted insert

- thread 4-40 UNC ▶ 2
- thread M3 ▶ 3



Poles	A	B	C	D	Ø F1		Ø F2	Ø F3
					Min.	Max.		
9	31.6	42.0	20.8	15.2	3.0	9.5	6.5	–
15	40.0	43.5	23.3	15.2	3.0	8.5	6.5	12.5
25	53.7	47.5	31.7	15.2	3.0	8.5	8.0	12.5
37	70.2	50.5	48.2	18.2	3.0	12.0	9.0	15.0
50	67.8	50.5	45.8	18.2	3.0	12.0	9.7	15.0

* Cable diameter without rubber bushing = Ø F1
 Cable diameter with rubber bushing = Ø F2
 Cable diameter without rubber bushing
 and without cable reduction plate = Ø F3

Locking hook

09 67 002 9031¹⁾

Latch lock bolt

Front mount

- thread 4-40 UNC
- thread M3

09 67 002 9041¹⁾
 09 67 002 9042¹⁾

Rear mount

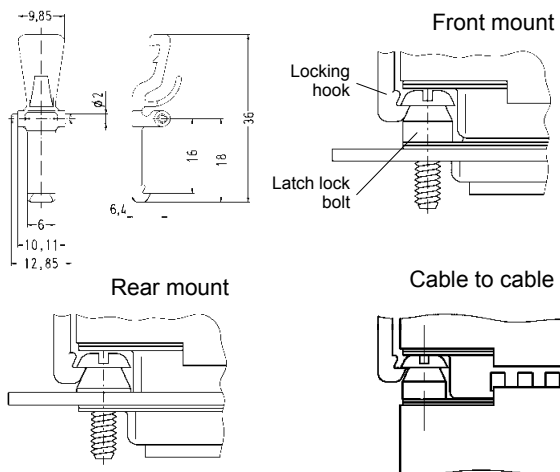
- thread 4-40 UNC
- thread M3

09 67 002 9032¹⁾
 09 67 002 9040¹⁾

Cable to cable

- thread 4-40 UNC
- thread M3

09 67 002 9044¹⁾
 09 67 002 9045¹⁾



¹⁾ Order 2 for each hood
 Operating temperature for all hoods on this page: -35 °C ... +100 °C