



Chipsmall Limited consists of a professional team with an average of over 10 year of expertise in the distribution of electronic components. Based in Hongkong, we have already established firm and mutual-benefit business relationships with customers from,Europe,America and south Asia,supplying obsolete and hard-to-find components to meet their specific needs.

With the principle of “Quality Parts,Customers Priority,Honest Operation,and Considerate Service”,our business mainly focus on the distribution of electronic components. Line cards we deal with include Microchip,ALPS,ROHM,Xilinx,Pulse,ON,Everlight and Freescale. Main products comprise IC,Modules,Potentiometer,IC Socket,Relay,Connector.Our parts cover such applications as commercial,industrial, and automotives areas.

We are looking forward to setting up business relationship with you and hope to provide you with the best service and solution. Let us make a better world for our industry!



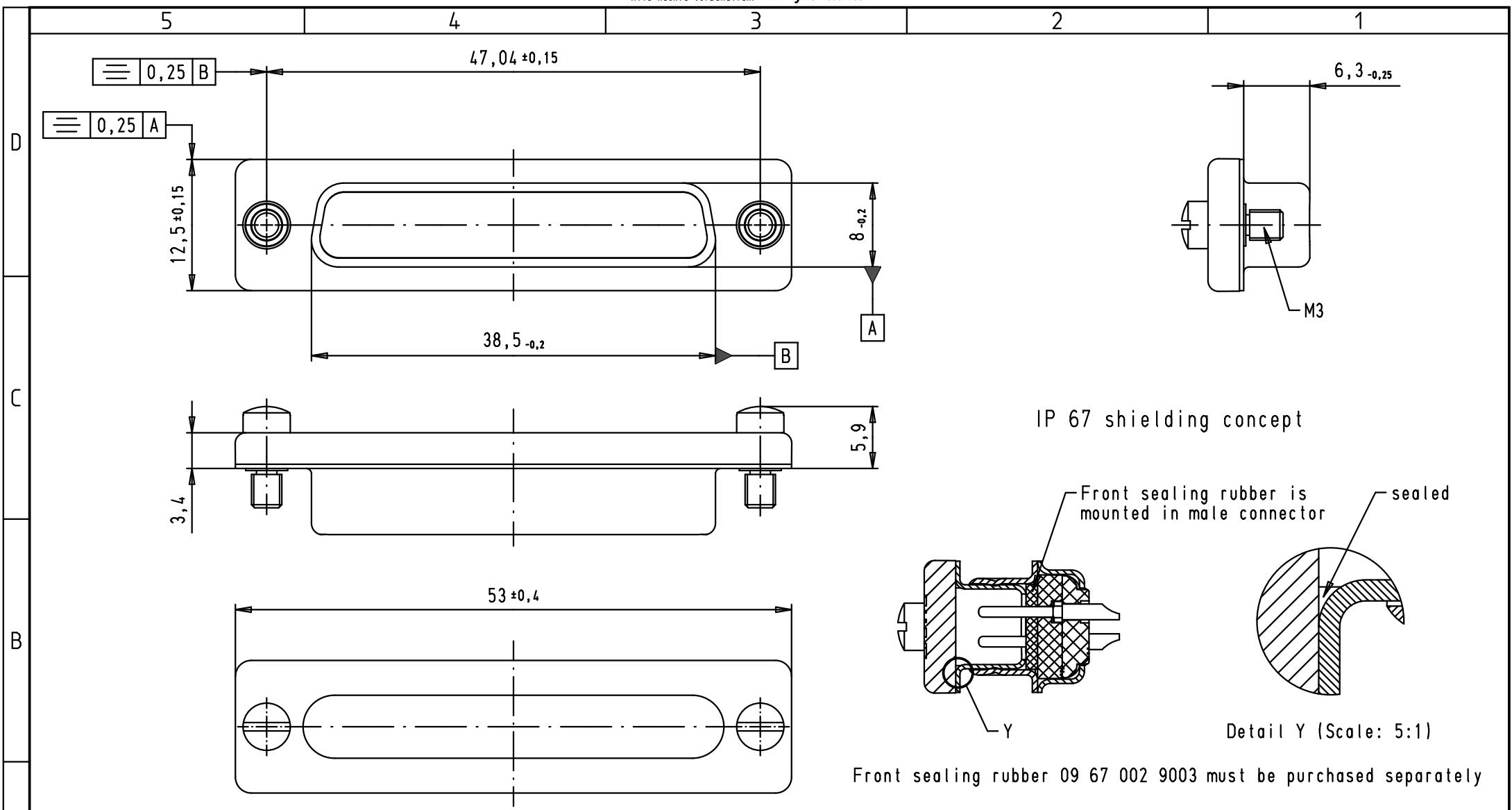
Contact us

Tel: +86-755-8981 8866 Fax: +86-755-8427 6832

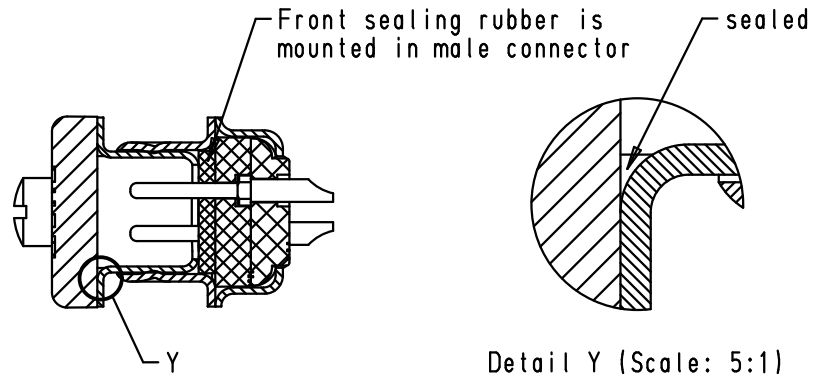
Email & Skype: info@chipsmall.com Web: www.chipsmall.com

Address: A1208, Overseas Decoration Building, #122 Zhenhua RD., Futian, Shenzhen, China







IP 67 shielding concept



Front sealing rubber 09 67 002 9003 must be purchased separately

				Dot.	Name	 <p>All Dim. in mm Orig. Size DIN A 4</p>	IP 67 female metal shielding cap, tin plated shell for 25 poles male D-Sub with screw locks	Maßstab/ Scale	
			Detail.	12/04/07	PK			2:1	
			Insp.						
			Stand.						
	34906	18/04/08	PK	HARTING EURL F-95972 Paris				TB 09 67 002 9067	Blatt/ Page
	33977	12/04/07	PK						1 / 1
	Mod.	Dot.	Name				Sub.		