



Chipsmall Limited consists of a professional team with an average of over 10 year of expertise in the distribution of electronic components. Based in Hongkong, we have already established firm and mutual-benefit business relationships with customers from,Europe,America and south Asia,supplying obsolete and hard-to-find components to meet their specific needs.

With the principle of "Quality Parts,Customers Priority,Honest Operation,and Considerate Service",our business mainly focus on the distribution of electronic components. Line cards we deal with include Microchip,ALPS,ROHM,Xilinx,Pulse,ON,Everlight and Freescale. Main products comprise IC,Modules,Potentiometer,IC Socket,Relay,Connector.Our parts cover such applications as commercial,industrial, and automotives areas.

We are looking forward to setting up business relationship with you and hope to provide you with the best service and solution. Let us make a better world for our industry!



Contact us

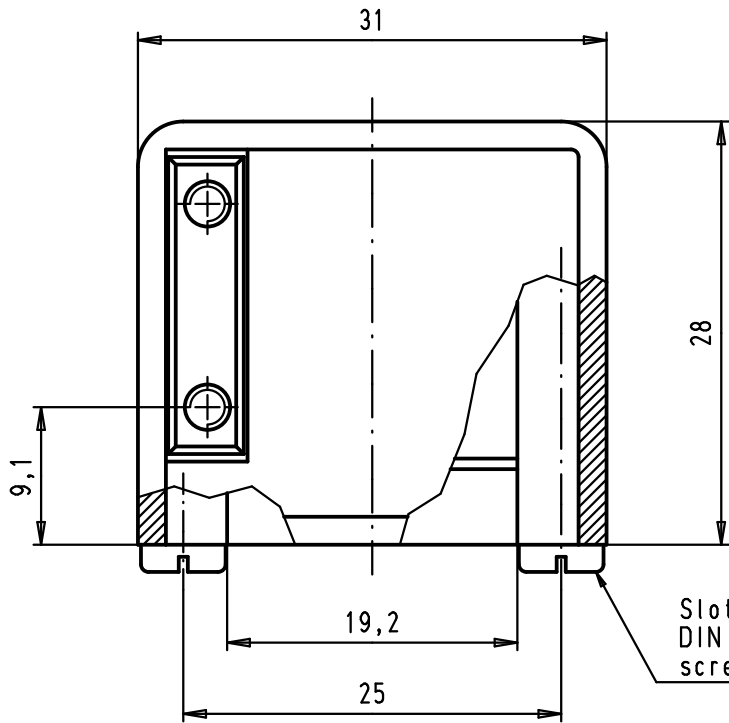
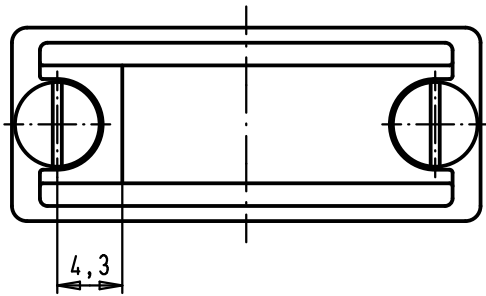
Tel: +86-755-8981 8866 Fax: +86-755-8427 6832

Email & Skype: info@chipsmall.com Web: www.chipsmall.com

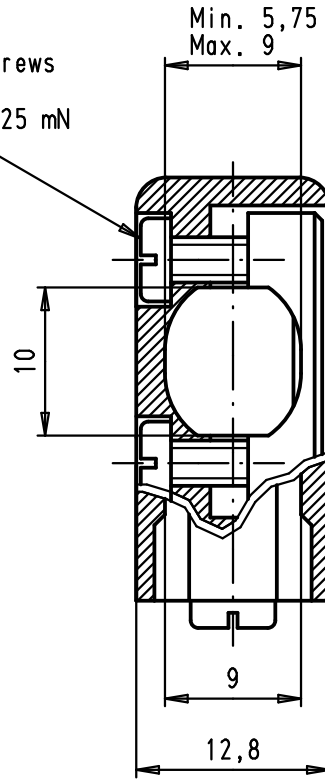
Address: A1208, Overseas Decoration Building, #122 Zhenhua RD., Futian, Shenzhen, China



5 4 3 2 1



Slotted pan head tapping screws
DIN 7971-ST 2,2 x 9,5-F
Maximum screwing torque= 0,25 mN

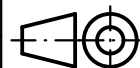


Slotted pan head tapping screws
DIN 7971-ST 2,9x6,5-F
screwing torque=35Ncm +/-5Ncm

A

09 67 009 0513	Thermoplastic metallized
09 67 009 0511	Thermoplastic grey RAL 7032
Part number	Material

				Det.	Name
			Detail.	28/03/02	CV
			Insp.	25-MAY-11	JMDV
EC03223	25-MAY-11	SD	Stand.		
34886	26/02/08	PK			
29760	28/03/02	CV			
Mod.	Det.	Name	HARTING EURL F-95972 Paris		



All Dim. in mm
Orig. Size DIN A 4

D-Sub, hood 9 poles
for spring or slide
locking, side cable entry

Maßstab/
Scale

2:1



TB 09 67 009 051X

Sub.

Blatt/ Page

1 / 1