



Chipsmall Limited consists of a professional team with an average of over 10 year of expertise in the distribution of electronic components. Based in Hongkong, we have already established firm and mutual-benefit business relationships with customers from,Europe,America and south Asia,supplying obsolete and hard-to-find components to meet their specific needs.

With the principle of "Quality Parts,Customers Priority,Honest Operation,and Considerate Service",our business mainly focus on the distribution of electronic components. Line cards we deal with include Microchip,ALPS,ROHM,Xilinx,Pulse,ON,Everlight and Freescale. Main products comprise IC,Modules,Potentiometer,IC Socket,Relay,Connector.Our parts cover such applications as commercial,industrial, and automotives areas.

We are looking forward to setting up business relationship with you and hope to provide you with the best service and solution. Let us make a better world for our industry!



Contact us

Tel: +86-755-8981 8866 Fax: +86-755-8427 6832

Email & Skype: info@chipsmall.com Web: www.chipsmall.com

Address: A1208, Overseas Decoration Building, #122 Zhenhua RD., Futian, Shenzhen, China



5

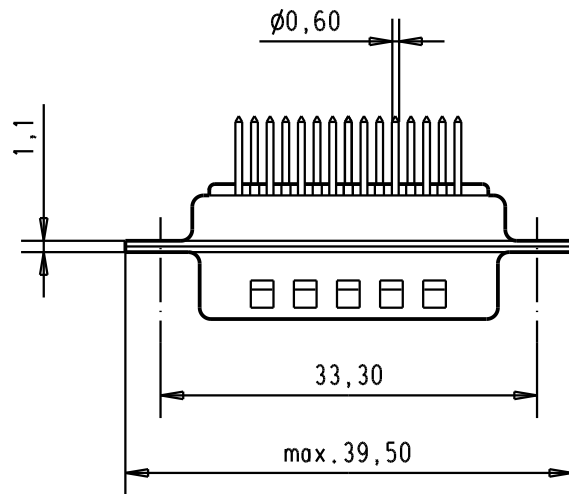
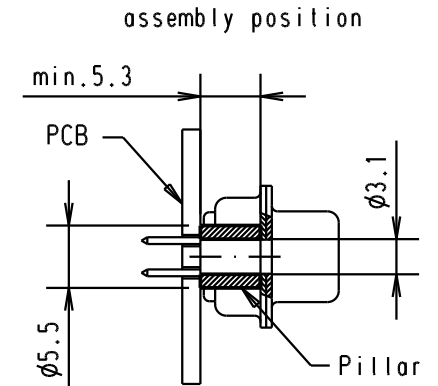
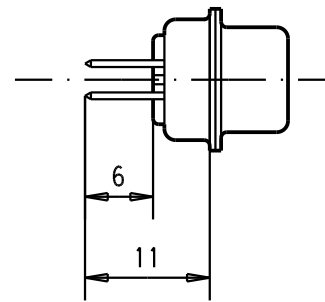
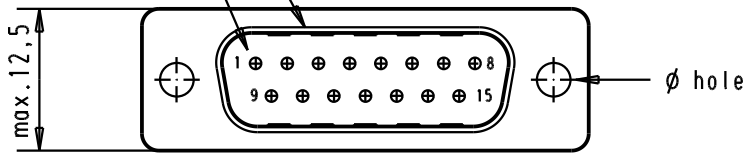
4

3

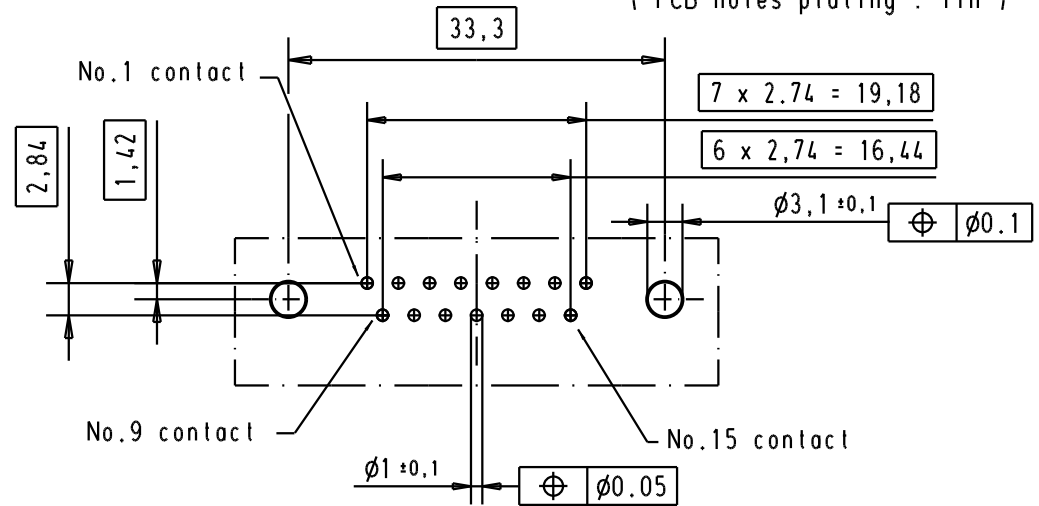
2

1

No.1 contact Mating face according to : MIL-C-24308 / DIN 41652 / CECC 75301-802



PCB layout hole component side (PCB holes plating : Tin)





D

C

B

A

						Det.	Name	 All Dim. in mm Orig. Size DIN A 4	D-Sub, Male, Straight, 15 poles with turned solder contacts and hole	Moßstab/ Scale
09 67 015 5656	3.1 ± 0.1	1				04/04/01	AF			1.5:1
09 67 015 5655	3.1 ± 0.1	2								
09 67 015 5654	3.1 ± 0.1	3	32991	01/09/05	JMDR					
			27993	04/04/01	AF	HARTING EURL F-95972 Paris				
Part number	ø hole	Performance level	Mod.	Dat.	Name				TB 0967015565x Sub.	Blatt/ Page 1 / 2