



Chipsmall Limited consists of a professional team with an average of over 10 year of expertise in the distribution of electronic components. Based in Hongkong, we have already established firm and mutual-benefit business relationships with customers from,Europe,America and south Asia,supplying obsolete and hard-to-find components to meet their specific needs.

With the principle of "Quality Parts,Customers Priority,Honest Operation,and Considerate Service",our business mainly focus on the distribution of electronic components. Line cards we deal with include Microchip,ALPS,ROHM,Xilinx,Pulse,ON,Everlight and Freescale. Main products comprise IC,Modules,Potentiometer,IC Socket,Relay,Connector.Our parts cover such applications as commercial,industrial, and automotives areas.

We are looking forward to setting up business relationship with you and hope to provide you with the best service and solution. Let us make a better world for our industry!



Contact us

Tel: +86-755-8981 8866 Fax: +86-755-8427 6832

Email & Skype: info@chipsmall.com Web: www.chipsmall.com

Address: A1208, Overseas Decoration Building, #122 Zhenhua RD., Futian, Shenzhen, China



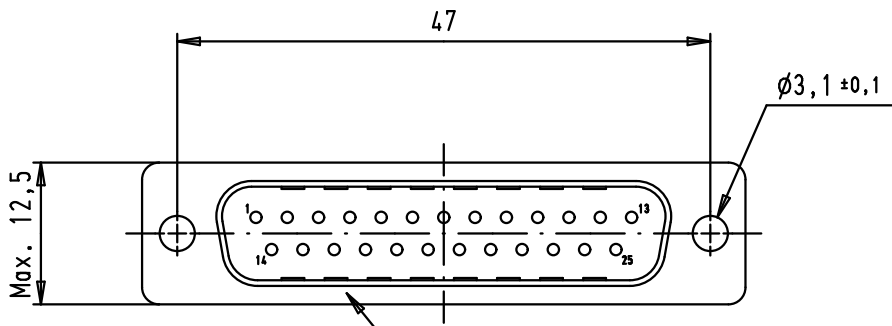
5

4

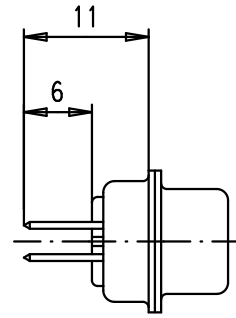
3

2

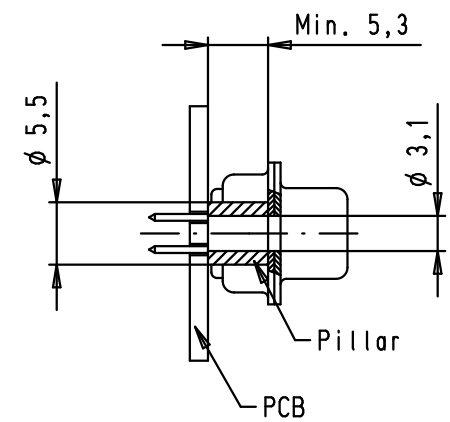
1



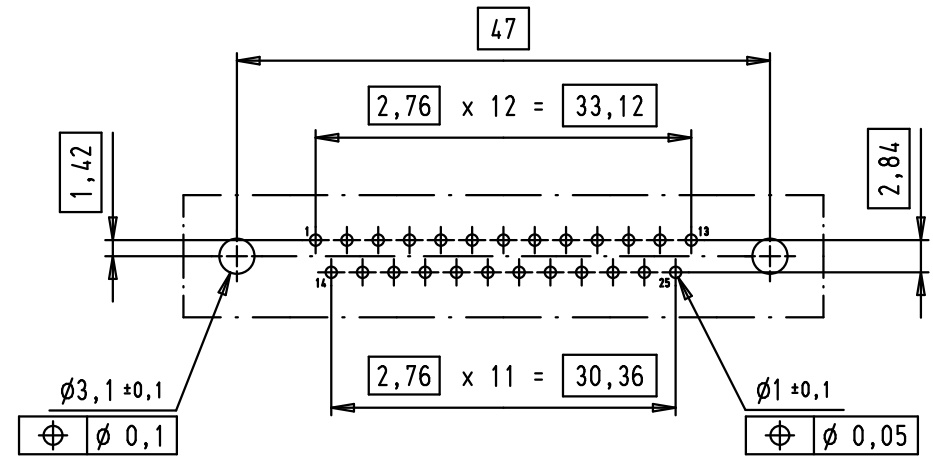
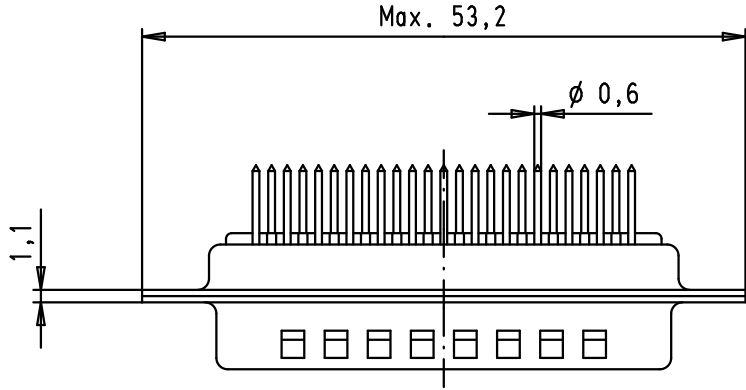
Mating face according to: MIL-C-24308 / DIN 41652 / CECC 75301-802



Assembly position



PCB layout, component side
(PCB holes plating: tin)



D

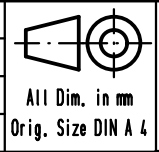
C

B

A

09 67 025 5656	PL1
09 67 025 5655	PL2
09 67 025 5654	PL3
Part number	Performance level

				Dot.	Name
			Detail.	07/02/01	JFB
35391	13/10/08	PK	Insp.		
32991	01/09/05	JMDR	Stand.		
27993	04/04/01	AF	HARTING EURL F-95972 Paris		
27974	07/02/01	JFB			
Mod.	Dot.	Name			



D-Sub, male, straight,
25 poles, turned
solder pins and holes

Maßstab/
Scale
1,5:1



TB 09 67 025 565X
Sub.

Blatt/ Page
1 / 2