



Chipsmall Limited consists of a professional team with an average of over 10 year of expertise in the distribution of electronic components. Based in Hongkong, we have already established firm and mutual-benefit business relationships with customers from,Europe,America and south Asia,supplying obsolete and hard-to-find components to meet their specific needs.

With the principle of “Quality Parts,Customers Priority,Honest Operation,and Considerate Service”,our business mainly focus on the distribution of electronic components. Line cards we deal with include Microchip,ALPS,ROHM,Xilinx,Pulse,ON,Everlight and Freescale. Main products comprise IC,Modules,Potentiometer,IC Socket,Relay,Connector.Our parts cover such applications as commercial,industrial, and automotives areas.

We are looking forward to setting up business relationship with you and hope to provide you with the best service and solution. Let us make a better world for our industry!



## Contact us

Tel: +86-755-8981 8866 Fax: +86-755-8427 6832

Email & Skype: info@chipsmall.com Web: www.chipsmall.com

Address: A1208, Overseas Decoration Building, #122 Zhenhua RD., Futian, Shenzhen, China



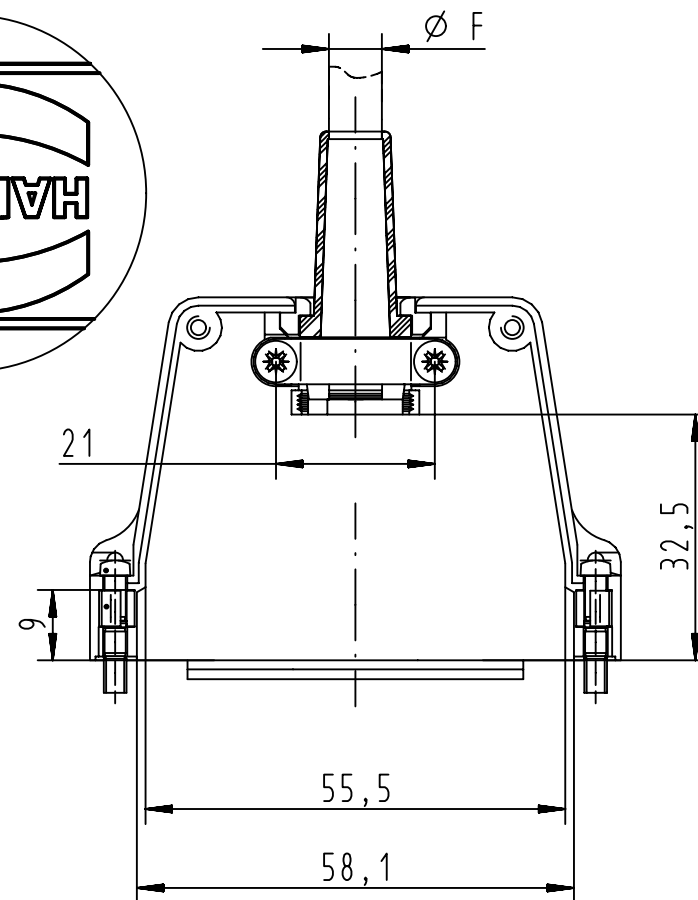
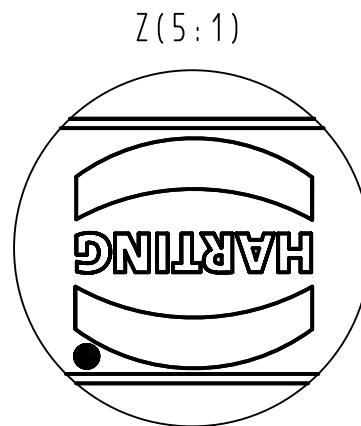
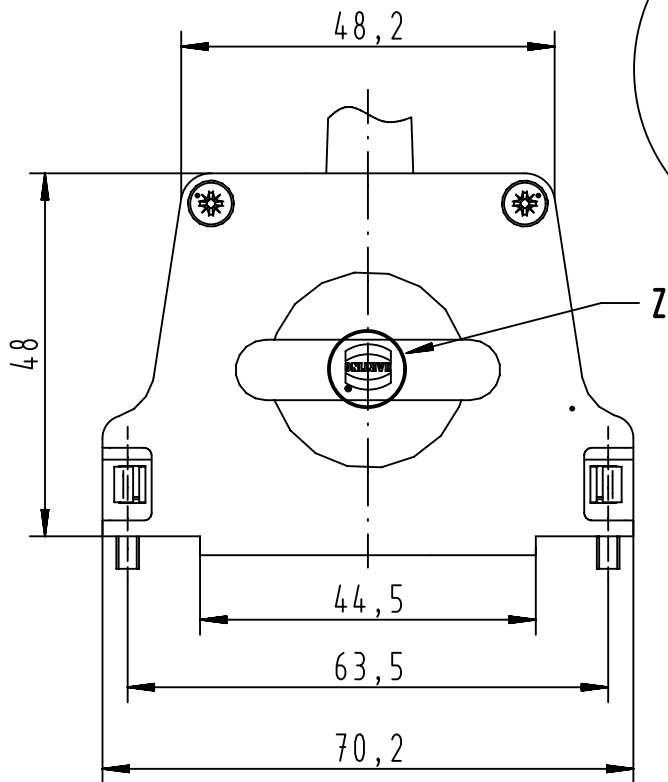
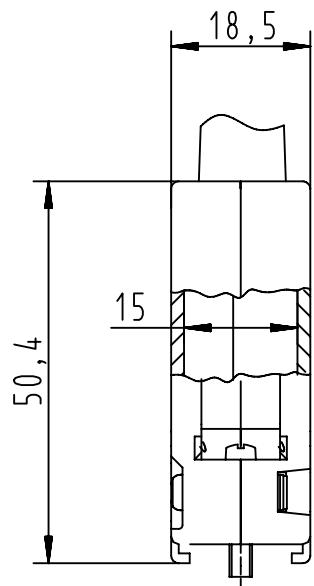
1 2 3 4 5 6

A

B

C


D



Minimum cable  $\varnothing$ :  
 $\varnothing F_{min}=3,0$

Maximum cable  $\varnothing$ :  
 - with rubber bushing :  $\varnothing F_{max}=9,0$   
 - without rubber bushing :  $\varnothing F_{max}=12,0$   
 - without reduction plate:  $\varnothing F_{max}=15$

<b>09670370344</b>	<b>4-40UNC</b>
Part number	screw thread

	All rights reserved Department EC PD - FR	All Dimensions in mm Original Size DIN A4			Scale 1:1	Free size tol.		Ref. Sub.		
		HARTING Electronics GmbH D-32339 Espelkamp	Created by DOUGE	Inspected by BAGDIKIAN	Standardisation HOFFMANN	Date 2013-02-05	State Final Release		Doc-Key / ECM-Nr. 100521326/UGD/001/A 500000056836	
		Title D-Sub Hood 37P top entry full metal						Rev. <b>A</b>		Page 1/1
		Type TB		Number 09670370344						