



Chipsmall Limited consists of a professional team with an average of over 10 year of expertise in the distribution of electronic components. Based in Hongkong, we have already established firm and mutual-benefit business relationships with customers from,Europe,America and south Asia,supplying obsolete and hard-to-find components to meet their specific needs.

With the principle of “Quality Parts,Customers Priority,Honest Operation,and Considerate Service”,our business mainly focus on the distribution of electronic components. Line cards we deal with include Microchip,ALPS,ROHM,Xilinx,Pulse,ON,Everlight and Freescale. Main products comprise IC,Modules,Potentiometer,IC Socket,Relay,Connector.Our parts cover such applications as commercial,industrial, and automotives areas.

We are looking forward to setting up business relationship with you and hope to provide you with the best service and solution. Let us make a better world for our industry!



Contact us

Tel: +86-755-8981 8866 Fax: +86-755-8427 6832

Email & Skype: info@chipsmall.com Web: www.chipsmall.com

Address: A1208, Overseas Decoration Building, #122 Zhenhua RD., Futian, Shenzhen, China



5

4

3

2

1



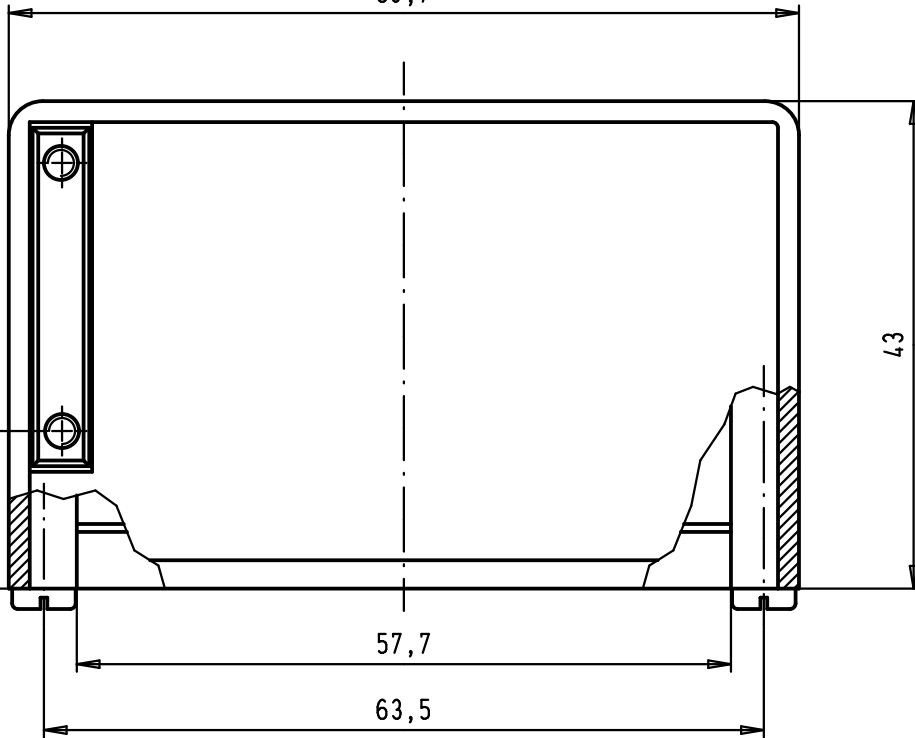
Slotted pan head tapping screws
DIN 7971-ST 2,9x6,5-F
screwing torque=35Ncm +/-5Ncm

4,3

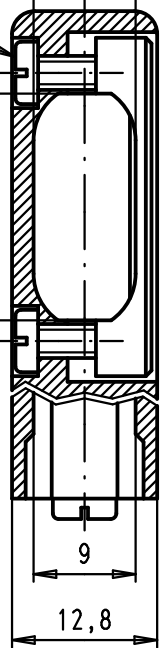
69,7

Slotted pan head tapping screws
DIN 7971-ST 2,2 x 9,5-F
Maximum screwing torque= 0,25 mN

Min. 5,75
Max. 9



20



13,9

4,3

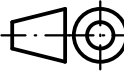

57,7

63,5

9

12,8

A

				Det.	Name	 <p>All Dim. in mm Orig. Size DIN A 4</p>
			Detail.	28/03/02	CV	
			Insp.	25-MAY-11	JMDV	
EC03223	25-MAY-11	SD	Stand.			
34886	26/02/08	PK	HARTING EURL F-95972 Paris			
29760	28/03/02	CV				
Mod.	Det.	Name				

D-Sub, hood 37 poles for spring or slide locking, side cable entry	Maßstab/ Scale 1,5:1
TB 09 67 037 051X	Blatt/ Page 1 / 1
Sub.	

09 67 037 0513	Thermoplastic metallized
09 67 037 0511	Thermoplastic grey RAL 7032
Part number	Material