



Chipsmall Limited consists of a professional team with an average of over 10 year of expertise in the distribution of electronic components. Based in Hongkong, we have already established firm and mutual-benefit business relationships with customers from,Europe,America and south Asia,supplying obsolete and hard-to-find components to meet their specific needs.

With the principle of "Quality Parts,Customers Priority,Honest Operation,and Considerate Service",our business mainly focus on the distribution of electronic components. Line cards we deal with include Microchip,ALPS,ROHM,Xilinx,Pulse,ON,Everlight and Freescale. Main products comprise IC,Modules,Potentiometer,IC Socket,Relay,Connector.Our parts cover such applications as commercial,industrial, and automotives areas.

We are looking forward to setting up business relationship with you and hope to provide you with the best service and solution. Let us make a better world for our industry!



## Contact us

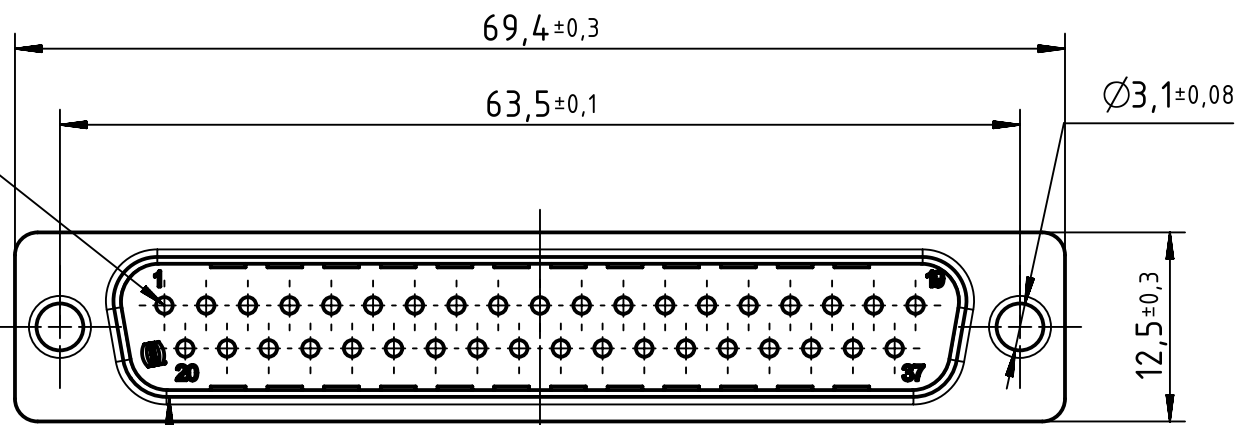
Tel: +86-755-8981 8866 Fax: +86-755-8427 6832

Email & Skype: info@chipsmall.com Web: www.chipsmall.com

Address: A1208, Overseas Decoration Building, #122 Zhenhua RD., Futian, Shenzhen, China

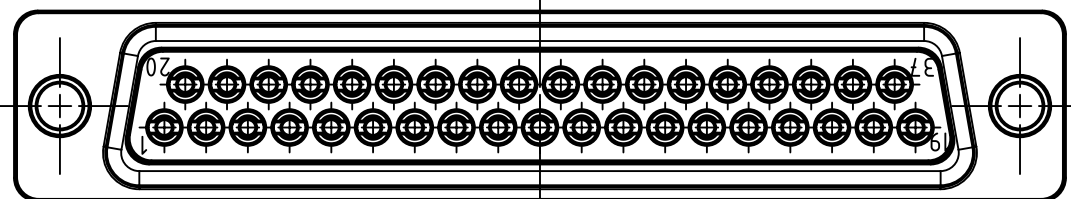
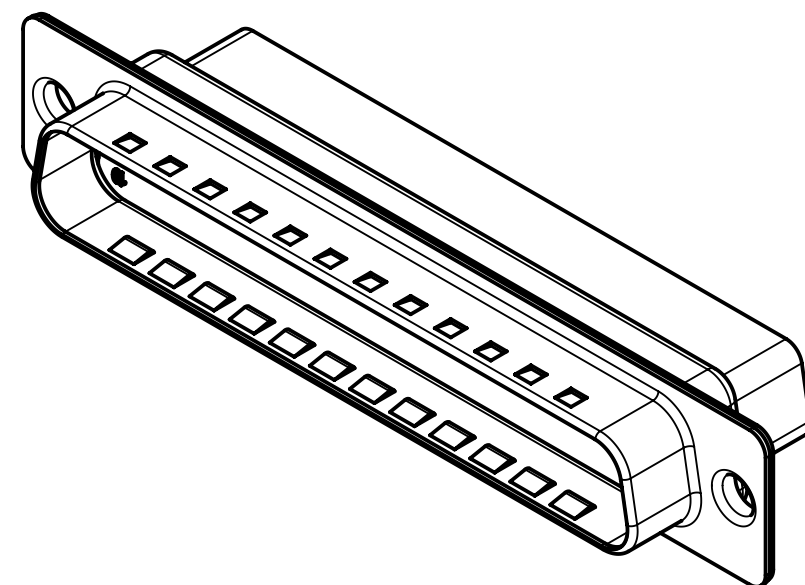
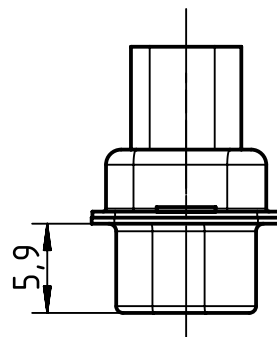
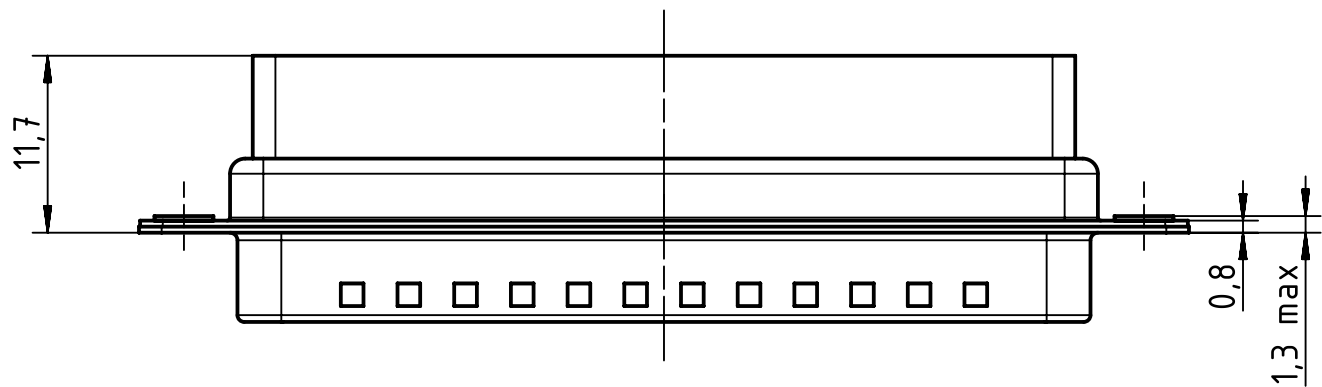
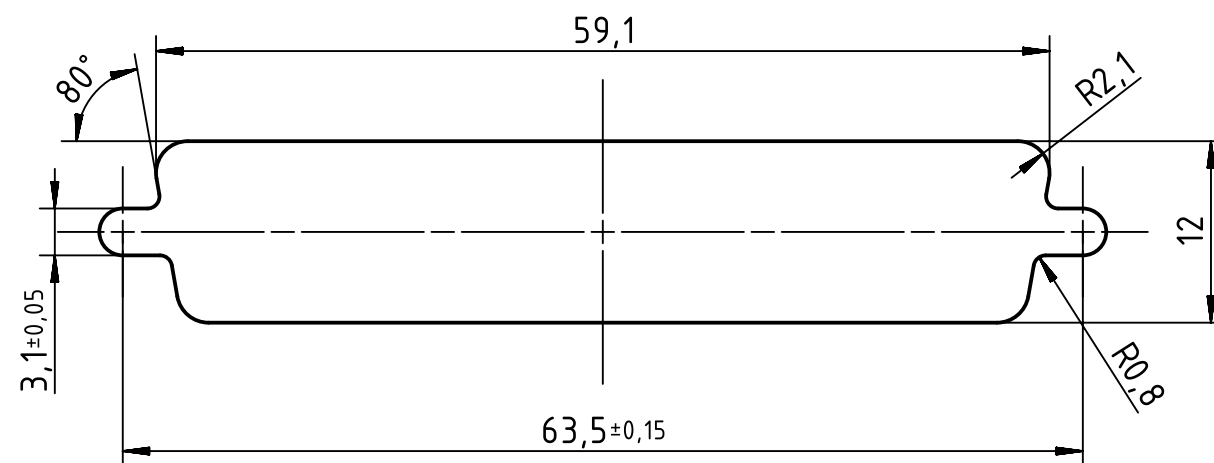


1st contact



Mating face according to CECC 75301-802

Panel cut out



	All rights reserved		Created by SHENGJ		Inspected by WANGSTE		Standardisation HOFFMANN		Date 2014-01-15		State Final Release		
	Department EC PD - CN		Title D-Sub crimp 37-pole male assembly		Doc-Key / ECM-Nr. 100235538/UGD/001/A 50000065332		Rev. A		Page 1/1				
HARTING Electronics GmbH		D-32339 Espelkamp		Type TB		Number 09670375601							