

Chipsmall Limited consists of a professional team with an average of over 10 year of expertise in the distribution of electronic components. Based in Hongkong, we have already established firm and mutual-benefit business relationships with customers from,Europe,America and south Asia,supplying obsolete and hard-to-find components to meet their specific needs.

With the principle of “Quality Parts,Customers Priority,Honest Operation,and Considerate Service”,our business mainly focus on the distribution of electronic components. Line cards we deal with include Microchip,ALPS,ROHM,Xilinx,Pulse,ON,Everlight and Freescale. Main products comprise IC,Modules,Potentiometer,IC Socket,Relay,Connector.Our parts cover such applications as commercial,industrial, and automotives areas.

We are looking forward to setting up business relationship with you and hope to provide you with the best service and solution. Let us make a better world for our industry!

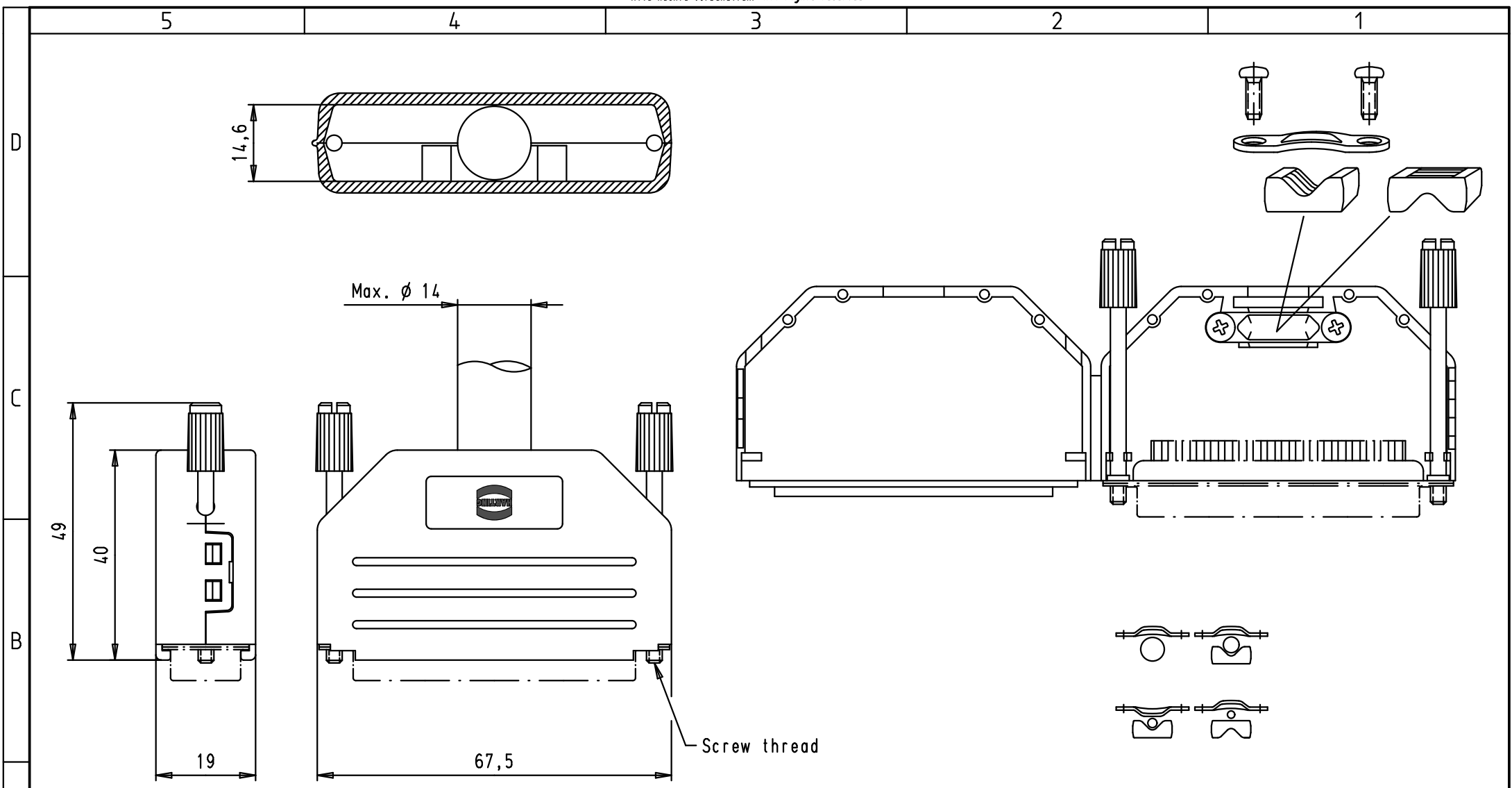


## Contact us



Tel: +86-755-8981 8866 Fax: +86-755-8427 6832

Email & Skype: [info@chipsmall.com](mailto:info@chipsmall.com) Web: [www.chipsmall.com](http://www.chipsmall.com)

Address: A1208, Overseas Decoration Building, #122 Zhenhua RD., Futian, Shenzhen, China



09 67 050 0426	M3
09 67 050 0424	4-40 UNC
Part number	Screw thread

				Dot.	Name	 All Dim. in mm Orig. Size DIN A 4
			Detail.	28/03/02	CV	
			Insp.			
34784	12/02/08	PK	Stand.			
31085	04/09/02	CV	HARTING EURL F-95972 Paris			
29760	28/03/02	CV				
Mod.	Dot.	Name				

D-Sub, top entry hood with knurled screws, 50 poles, thermoplastic black	Maßstab/ Scale 1:1
TB 09 67 050 042X	Blatt/ Page 1 / 1
Sub.	