



Chipsmall Limited consists of a professional team with an average of over 10 year of expertise in the distribution of electronic components. Based in Hongkong, we have already established firm and mutual-benefit business relationships with customers from,Europe,America and south Asia,supplying obsolete and hard-to-find components to meet their specific needs.

With the principle of “Quality Parts,Customers Priority,Honest Operation,and Considerate Service”,our business mainly focus on the distribution of electronic components. Line cards we deal with include Microchip,ALPS,ROHM,Xilinx,Pulse,ON,Everlight and Freescale. Main products comprise IC,Modules,Potentiometer,IC Socket,Relay,Connector.Our parts cover such applications as commercial,industrial, and automotives areas.

We are looking forward to setting up business relationship with you and hope to provide you with the best service and solution. Let us make a better world for our industry!



Contact us

Tel: +86-755-8981 8866 Fax: +86-755-8427 6832

Email & Skype: info@chipsmall.com Web: www.chipsmall.com

Address: A1208, Overseas Decoration Building, #122 Zhenhua RD., Futian, Shenzhen, China



5

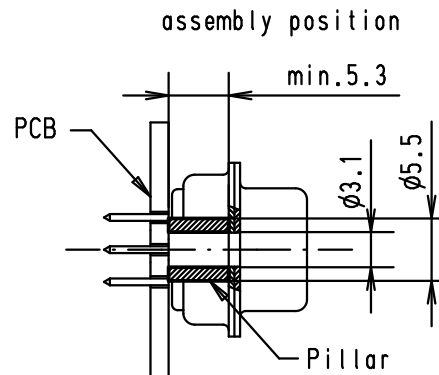
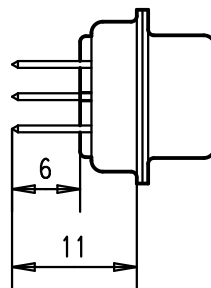
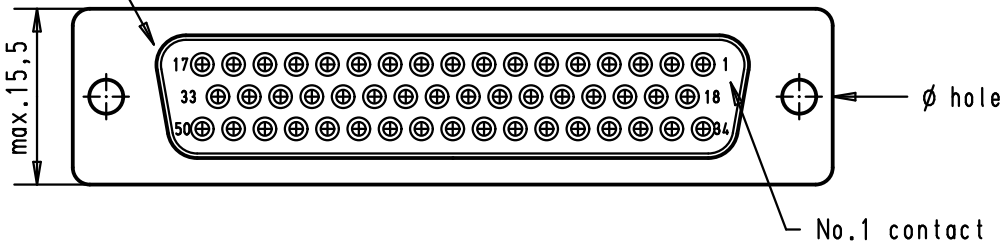
4

3

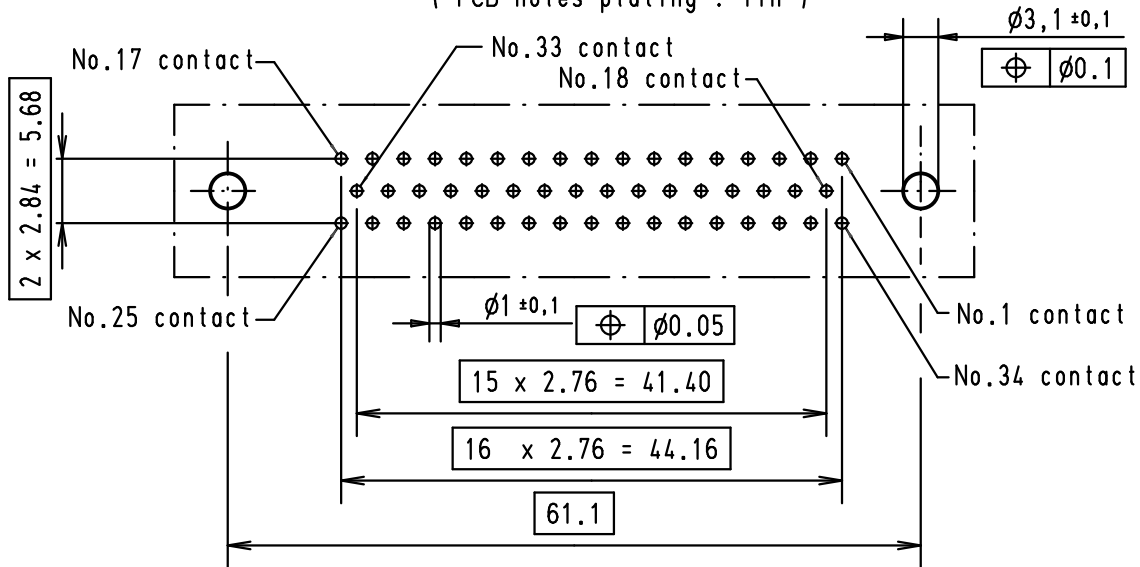
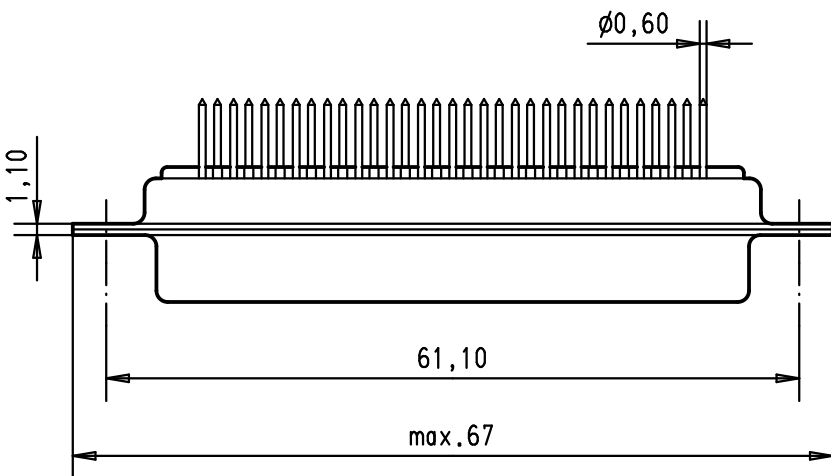
2

1



Mating face according to : MIL-C-24308 / DIN 41652 / CECC 75301-802



PCB layout hole component side (PCB holes plating : Tin)



A

Part number	∅ hole	Performance level	Mod.	Dot.	Name	Dot.	Name	 All Dim. in mm Orig. Size DIN A 4	D-Sub, Female, Straight, 50 Poles with turned solder contacts and hole	Maßstab/ Scale	
09 67 050 4756	3.1 ± 0.1	1	32991	01/09/05	JMDR	Detail.	07/feb/01			jfb	1.5:1
09 67 050 4755	3.1 ± 0.1	2	29766	09-APR-02	CV	Insp.					
09 67 050 4754	3.1 ± 0.1	3	27993	04/04/01	AF	Stand.					
			27974	07/feb/01	jfb	HARTING EURL F-95972 Paris			TB 0967050475x Sub.	Blatt/ Page	
										1 / 2	