



Chipsmall Limited consists of a professional team with an average of over 10 year of expertise in the distribution of electronic components. Based in Hongkong, we have already established firm and mutual-benefit business relationships with customers from,Europe,America and south Asia,supplying obsolete and hard-to-find components to meet their specific needs.

With the principle of “Quality Parts,Customers Priority,Honest Operation,and Considerate Service”,our business mainly focus on the distribution of electronic components. Line cards we deal with include Microchip,ALPS,ROHM,Xilinx,Pulse,ON,Everlight and Freescale. Main products comprise IC,Modules,Potentiometer,IC Socket,Relay,Connector.Our parts cover such applications as commercial,industrial, and automotives areas.

We are looking forward to setting up business relationship with you and hope to provide you with the best service and solution. Let us make a better world for our industry!



## Contact us

Tel: +86-755-8981 8866 Fax: +86-755-8427 6832

Email & Skype: info@chipsmall.com Web: www.chipsmall.com

Address: A1208, Overseas Decoration Building, #122 Zhenhua RD., Futian, Shenzhen, China



5

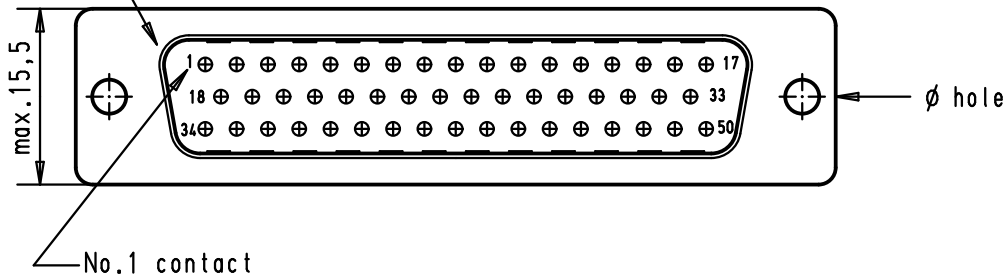
4

3

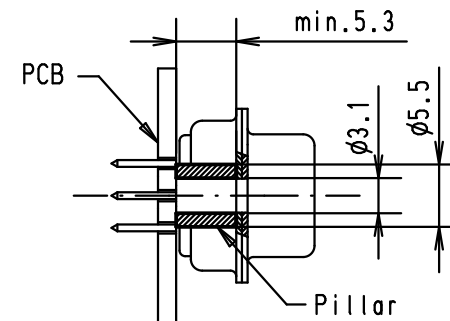
2

1

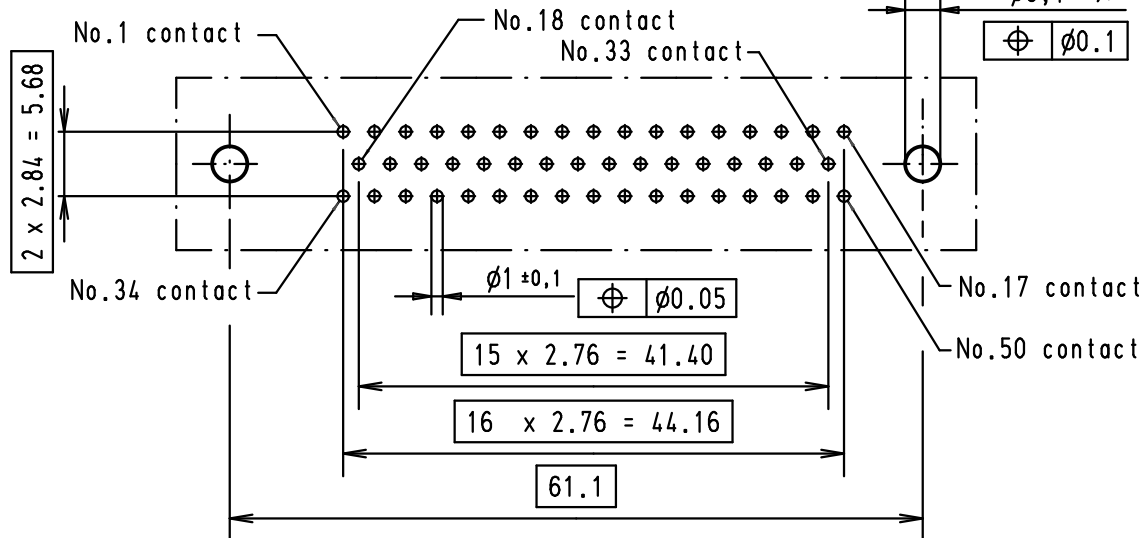
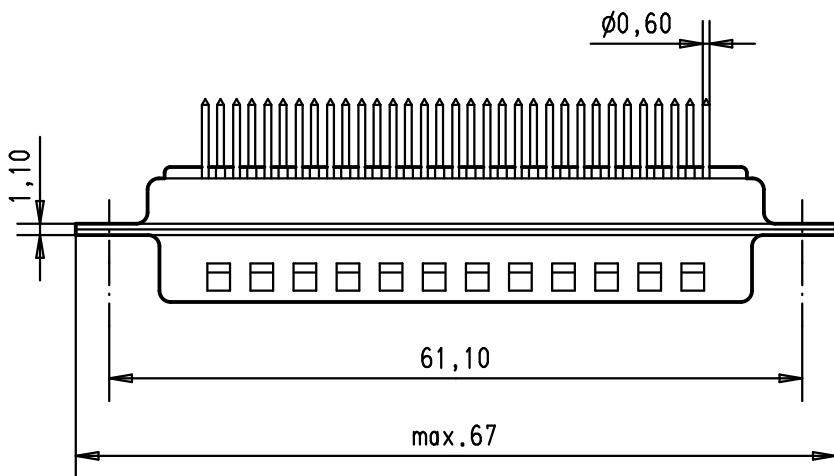
Mating face according to : MIL-C-24308 / DIN 41652 / CECC 75301-802




assembly position



PCB layout hole component side ( PCB holes plating : Tin )



A

						Dot.	Name	 All Dim. in mm Orig. Size DIN A 4	D-Sub, Male, Straight, 50 Poles with turned solder contacts and hole	Maßstab/ Scale	
						Detail.	04/04/01			AF	1.5:1
						Insp.					
						Stand.					
09 67 050 5656	3.1 ± 0.1	1						TB 0967050565x Sub.	Blatt/ Page 1 / 2		
09 67 050 5655	3.1 ± 0.1	2	32991	01/09/05	JMDR						
09 67 050 5654	3.1 ± 0.1	3	29766	09-APR-02	CV						
			27993	04/04/01	AF	HARTING EURL F-95972 Paris					
Part number	$\phi$ hole	Performance level	Mod.	Dot.	Name	