



Chipsmall Limited consists of a professional team with an average of over 10 year of expertise in the distribution of electronic components. Based in Hongkong, we have already established firm and mutual-benefit business relationships with customers from,Europe,America and south Asia,supplying obsolete and hard-to-find components to meet their specific needs.

With the principle of “Quality Parts,Customers Priority,Honest Operation,and Considerate Service”,our business mainly focus on the distribution of electronic components. Line cards we deal with include Microchip,ALPS,ROHM,Xilinx,Pulse,ON,Everlight and Freescale. Main products comprise IC,Modules,Potentiometer,IC Socket,Relay,Connector.Our parts cover such applications as commercial,industrial, and automotives areas.

We are looking forward to setting up business relationship with you and hope to provide you with the best service and solution. Let us make a better world for our industry!



## Contact us

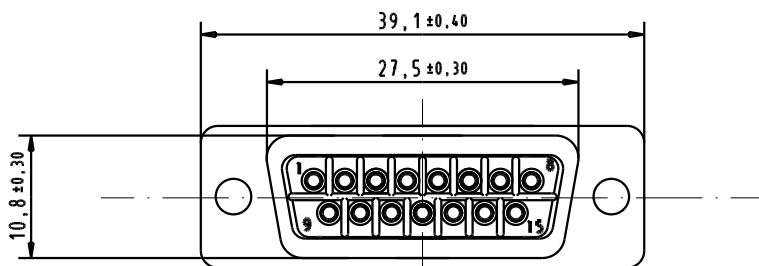
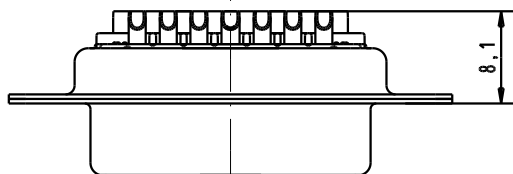
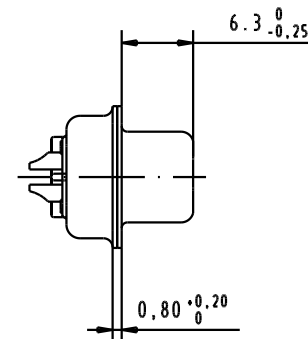
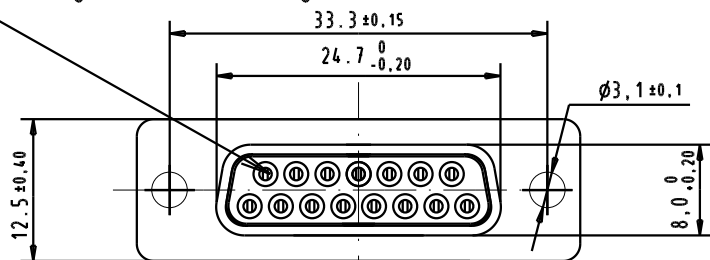
Tel: +86-755-8981 8866 Fax: +86-755-8427 6832

Email & Skype: info@chipsmall.com Web: www.chipsmall.com

Address: A1208, Overseas Decoration Building, #122 Zhenhua RD., Futian, Shenzhen, China



Mating face according to : MIL-C-24308 / DIN 41652 / CECC 75.01-802



- 1) Protection standard IP 67 according to IEC 529 / DIN 40050.
- 2) Cable: AWG 20 max

09 67 415 4715	Au plating 0,76 µm mini
Part Number	Performance Level

31587	15/02/04	S.H	HARTING ELEKTRONIK		F-95972 Paris			
Mod.	Dat.	Name						



All Dim. in mm  
Orig. Size DIN A 4

D-SUB IP67 female 15 Poles straight solder cup	Moßstab/ Scale
TB 09 67 415 4715	Blatt/ Page
Sub.	/

