



Chipsmall Limited consists of a professional team with an average of over 10 year of expertise in the distribution of electronic components. Based in Hongkong, we have already established firm and mutual-benefit business relationships with customers from,Europe,America and south Asia,supplying obsolete and hard-to-find components to meet their specific needs.

With the principle of “Quality Parts,Customers Priority,Honest Operation,and Considerate Service”,our business mainly focus on the distribution of electronic components. Line cards we deal with include Microchip,ALPS,ROHM,Xilinx,Pulse,ON,Everlight and Freescale. Main products comprise IC,Modules,Potentiometer,IC Socket,Relay,Connector.Our parts cover such applications as commercial,industrial, and automotives areas.

We are looking forward to setting up business relationship with you and hope to provide you with the best service and solution. Let us make a better world for our industry!



Contact us

Tel: +86-755-8981 8866 Fax: +86-755-8427 6832

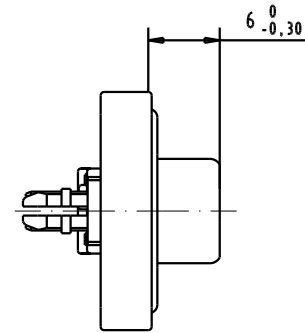
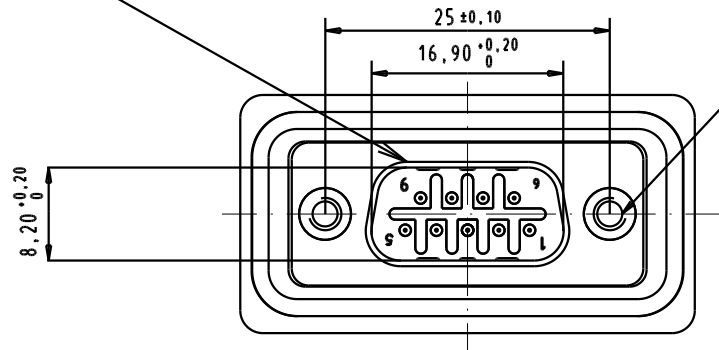
Email & Skype: info@chipsmall.com Web: www.chipsmall.com

Address: A1208, Overseas Decoration Building, #122 Zhenhua RD., Futian, Shenzhen, China



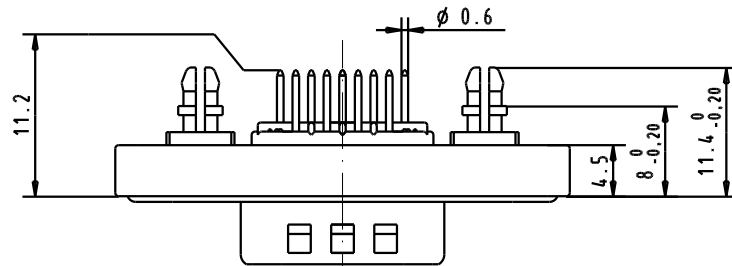
5	4	3	2	1
---	---	---	---	---

Mating face according to : MIL-C-24308 / DIN 41652 / CECC 75.01-802

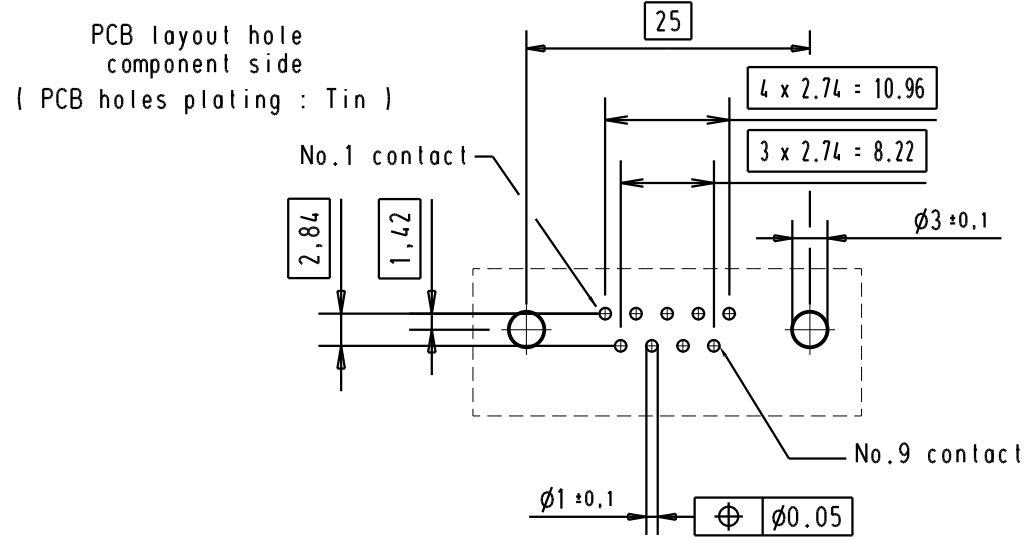
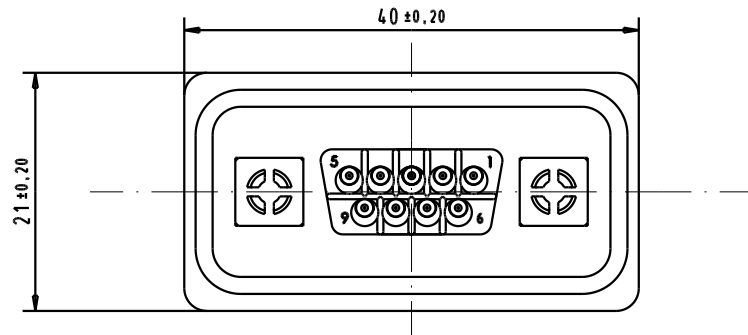


4-40 UNC -2B
length of engagement 3.5

1) Protection standard IP 67 according to IEC 529 / DIN 40050.



PCB layout hole component side
(PCB holes plating : Tin)



D
C
B
A

09 67 509 7675	Au plating 0,76 μm mini
Part Number	Performance Level

					Dat.	Name	 All Dim. in mm Orig. Size DIN A 4
				Detail.	10/10/03	S.H.	
				Insp.			
				Stand.			
31559	10/10/03	S.H	HARTING ELEKTRONIK F-95972 Paris				
Mod.	Dat.	Name					

							Moßstab/ Scale
D-SUB IP67 male 9 Poles straight solder pin with 4-40 UNC Spacer and clip							
TB 09 67 509 7675							Blatt/ Page
Sub.							