



Chipsmall Limited consists of a professional team with an average of over 10 year of expertise in the distribution of electronic components. Based in Hongkong, we have already established firm and mutual-benefit business relationships with customers from,Europe,America and south Asia,supplying obsolete and hard-to-find components to meet their specific needs.

With the principle of “Quality Parts,Customers Priority,Honest Operation,and Considerate Service”,our business mainly focus on the distribution of electronic components. Line cards we deal with include Microchip,ALPS,ROHM,Xilinx,Pulse,ON,Everlight and Freescale. Main products comprise IC,Modules,Potentiometer,IC Socket,Relay,Connector.Our parts cover such applications as commercial,industrial, and automotives areas.

We are looking forward to setting up business relationship with you and hope to provide you with the best service and solution. Let us make a better world for our industry!



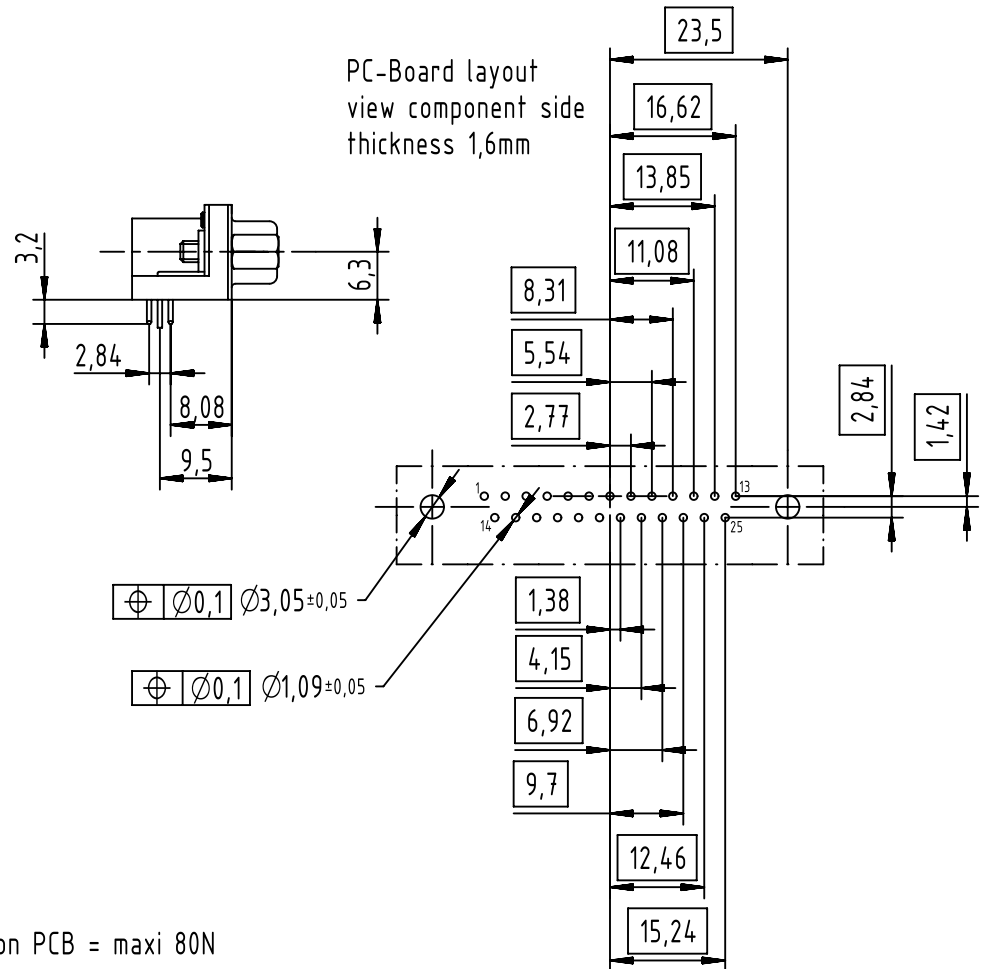
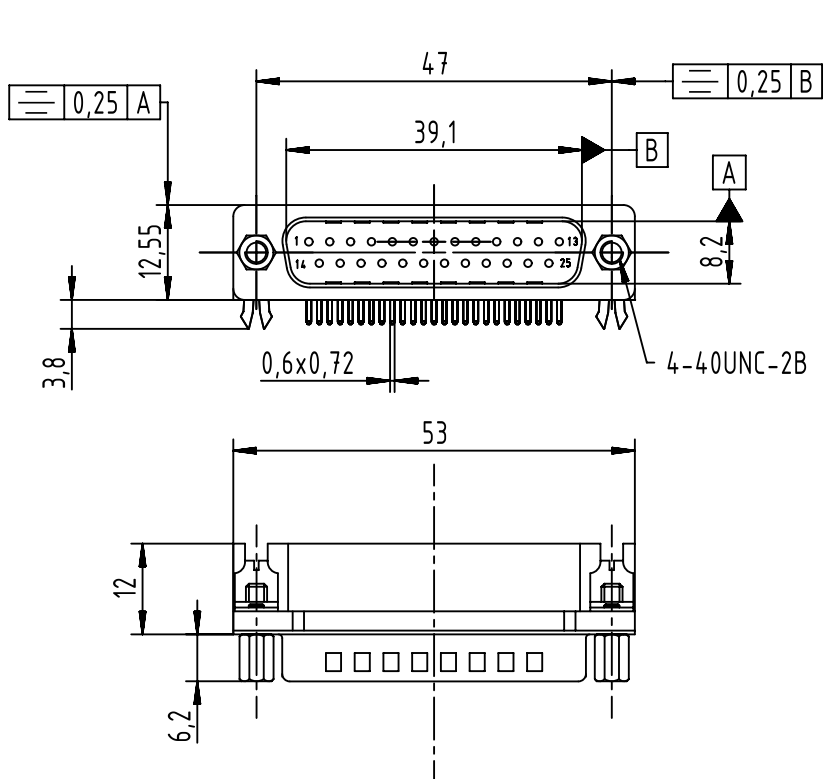
Contact us

Tel: +86-755-8981 8866 Fax: +86-755-8427 6832

Email & Skype: info@chipsmall.com Web: www.chipsmall.com

Address: A1208, Overseas Decoration Building, #122 Zhenhua RD., Futian, Shenzhen, China





Connector insertion force on PCB = maxi 80N

			All rights reserved Department EC PD - FR HARTING Electronics GmbH D-32339 Espelkamp	All Dimensions in mm Original Size DIN A4	Scale 1:1	Free size tol.		Ref.
09683635813	S4			Created by DOUGE	Inspected by BAGDIKIAN	Standardisation HOFFMANN	Date 2013-12-10	State Final Release
09683637813	PL3	Title D-Sub STD 25P male angled board locks			Doc-Key / ECM-Nr. 100539980/UGD/001/B 500000069293			
Part number	Performance level	Type TB	Number 0968363X813		Rev. B	Page 1/1		