



Chipsmall Limited consists of a professional team with an average of over 10 year of expertise in the distribution of electronic components. Based in Hongkong, we have already established firm and mutual-benefit business relationships with customers from,Europe,America and south Asia,supplying obsolete and hard-to-find components to meet their specific needs.

With the principle of “Quality Parts,Customers Priority,Honest Operation,and Considerate Service”,our business mainly focus on the distribution of electronic components. Line cards we deal with include Microchip,ALPS,ROHM,Xilinx,Pulse,ON,Everlight and Freescale. Main products comprise IC,Modules,Potentiometer,IC Socket,Relay,Connector.Our parts cover such applications as commercial,industrial, and automotives areas.

We are looking forward to setting up business relationship with you and hope to provide you with the best service and solution. Let us make a better world for our industry!



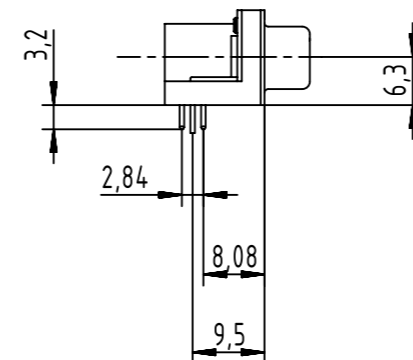
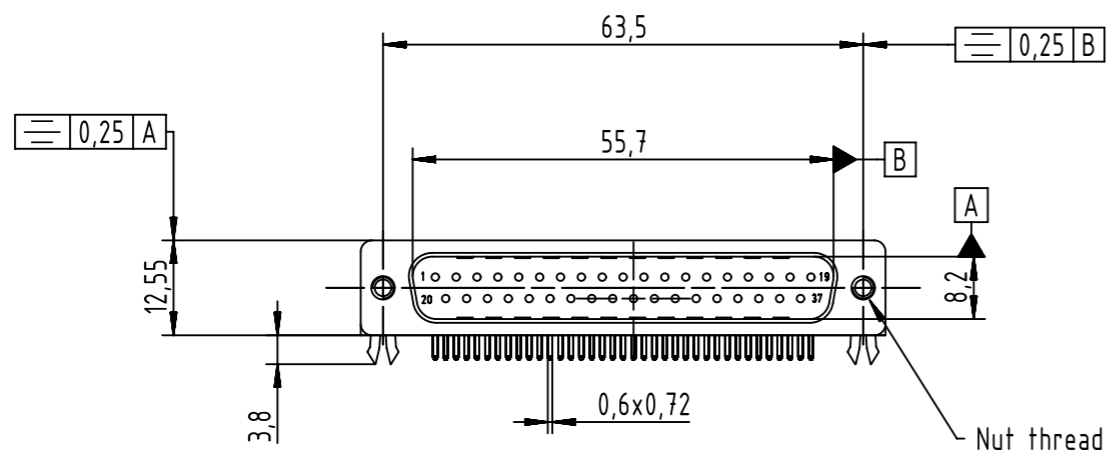
Contact us

Tel: +86-755-8981 8866 Fax: +86-755-8427 6832

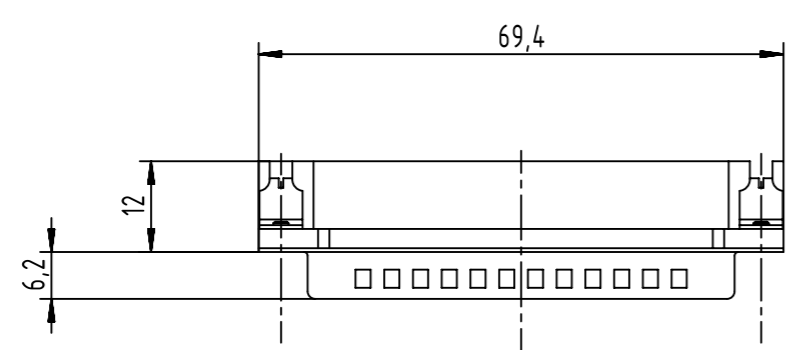
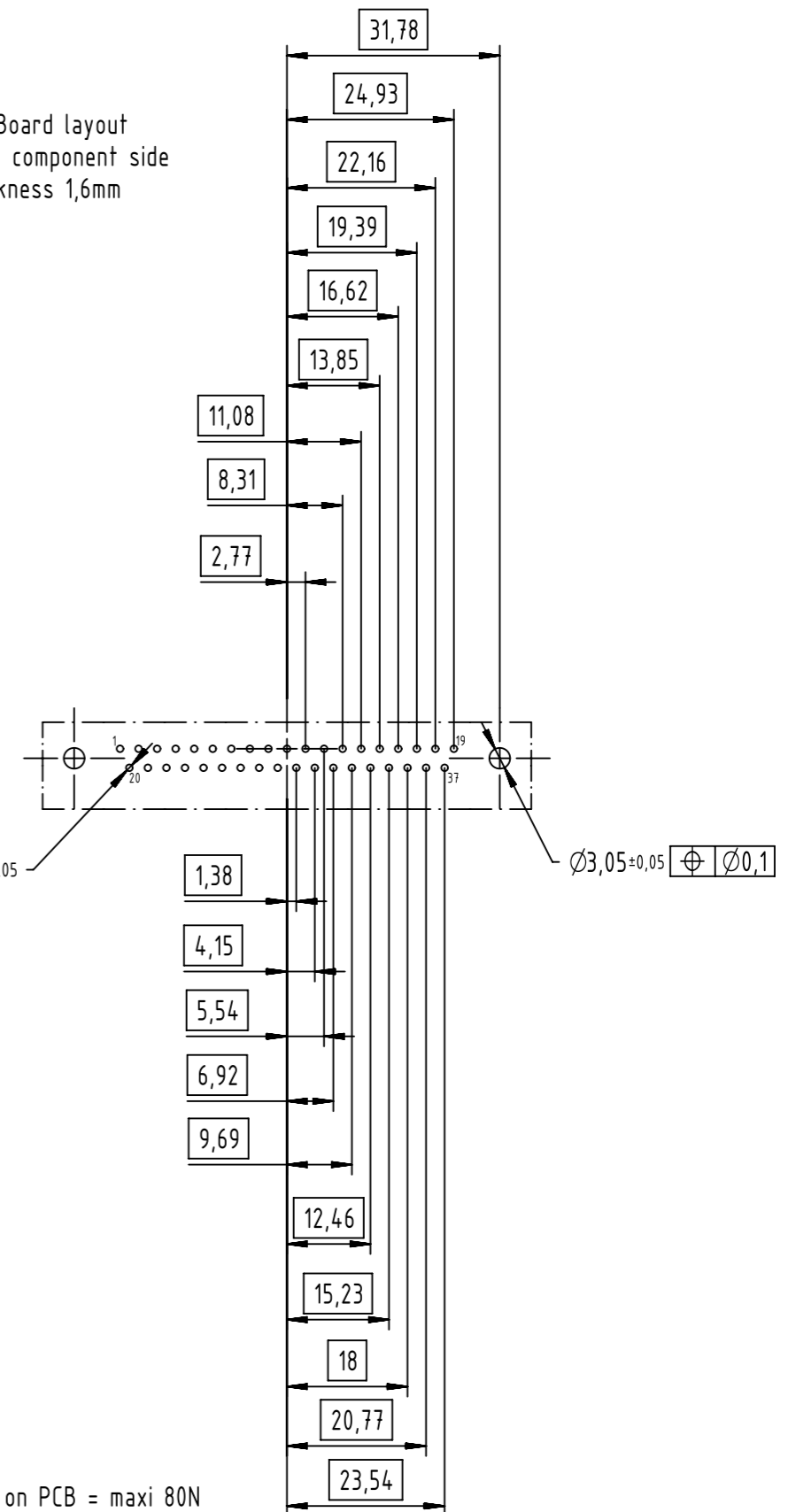
Email & Skype: info@chipsmall.com Web: www.chipsmall.com

Address: A1208, Overseas Decoration Building, #122 Zhenhua RD., Futian, Shenzhen, China





PC-Board layout
view component side
thickness 1,6mm



09684637811	M3	PL3
09684635811	M3	S4
09684637812	4-40 UNC	PL3
09684635812	4-40 UNC	S4
Part number	Nut thread	Performance level

Connector insertion force on PCB = maxi 80N

	All rights reserved Department EC PD - FR	All Dimensions in mm Original Size DIN A3		Scale 1:1	Free size tol.	Ref.	
		Created by DOUGE	Inspected by BAGDIKIAN	Standardisation HOFFMANN	Date 2013-12-10	State Final Release	Sub.
HARTING Electronics GmbH D-32339 Espelkamp		Title D-Sub STD 37P male angled board locks				Doc-Key / ECM-Nr. 100539984/UGD/001/B 50000069293	
		Type TB	Number 0968463X81X			Rev. B	Page 1/1