



Chipsmall Limited consists of a professional team with an average of over 10 year of expertise in the distribution of electronic components. Based in Hongkong, we have already established firm and mutual-benefit business relationships with customers from,Europe,America and south Asia,supplying obsolete and hard-to-find components to meet their specific needs.

With the principle of “Quality Parts,Customers Priority,Honest Operation,and Considerate Service”,our business mainly focus on the distribution of electronic components. Line cards we deal with include Microchip,ALPS,ROHM,Xilinx,Pulse,ON,Everlight and Freescale. Main products comprise IC,Modules,Potentiometer,IC Socket,Relay,Connector.Our parts cover such applications as commercial,industrial, and automotives areas.

We are looking forward to setting up business relationship with you and hope to provide you with the best service and solution. Let us make a better world for our industry!



## Contact us

Tel: +86-755-8981 8866 Fax: +86-755-8427 6832

Email & Skype: info@chipsmall.com Web: www.chipsmall.com

Address: A1208, Overseas Decoration Building, #122 Zhenhua RD., Futian, Shenzhen, China



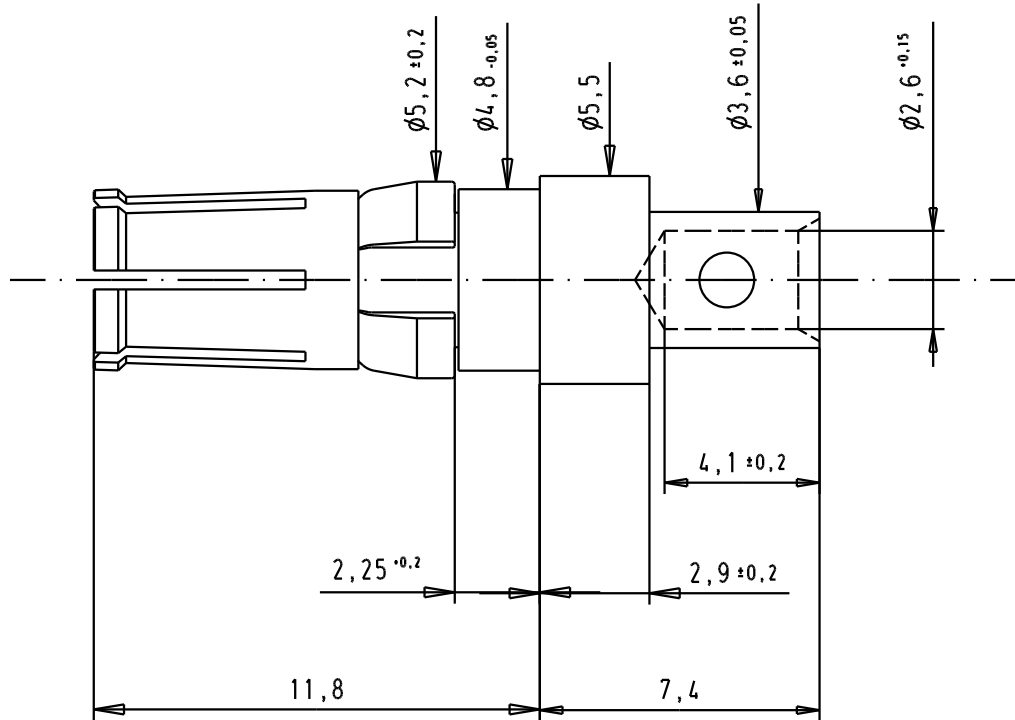
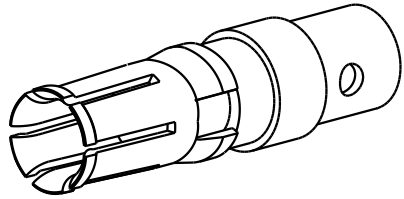
1 2 3 4 5 6

A

B



C

D



Crimping tool : 09 99 000 0509  
 Cable adjustments  
 AWG 12 wire : SEL.NO. 5  
 AWG 14 wire : SEL.NO. 4  
 Positioner : 09 99 000 0521

09 69 182 5821	Mating area	0,8 $\mu$ m AU
	Termination area	0,2 $\mu$ m AU
09 69 182 7821	Mating area	0,2 $\mu$ m AU
	Termination area	0,2 $\mu$ m AU
Part number	Plating	

				Dat.	Name	 All Dim. in mm Orig. Size DIN A 4
				Detail.	10/01/06 JMDR	
				Insp.		
				Stand.		
33412	10/01/06	JMDR	HARTING EURL F-95972 Paris			
Mod.	Dat.	Name				

Female power contact, 20A, straight cable crimp termination for AWG 12-14 wires		Moßstab/ Scale 5:1
TB 09 69 182 x821		Blatt/ Page 1/1
Sub.		