



Chipsmall Limited consists of a professional team with an average of over 10 year of expertise in the distribution of electronic components. Based in Hongkong, we have already established firm and mutual-benefit business relationships with customers from,Europe,America and south Asia,supplying obsolete and hard-to-find components to meet their specific needs.

With the principle of “Quality Parts,Customers Priority,Honest Operation,and Considerate Service”,our business mainly focus on the distribution of electronic components. Line cards we deal with include Microchip,ALPS,ROHM,Xilinx,Pulse,ON,Everlight and Freescale. Main products comprise IC,Modules,Potentiometer,IC Socket,Relay,Connector.Our parts cover such applications as commercial,industrial, and automotives areas.

We are looking forward to setting up business relationship with you and hope to provide you with the best service and solution. Let us make a better world for our industry!



Contact us

Tel: +86-755-8981 8866 Fax: +86-755-8427 6832

Email & Skype: info@chipsmall.com Web: www.chipsmall.com

Address: A1208, Overseas Decoration Building, #122 Zhenhua RD., Futian, Shenzhen, China



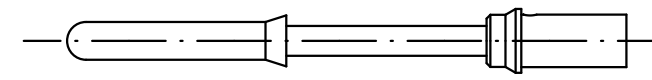
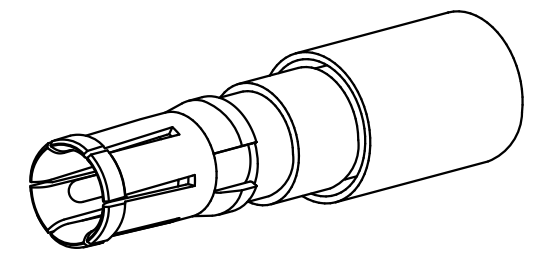
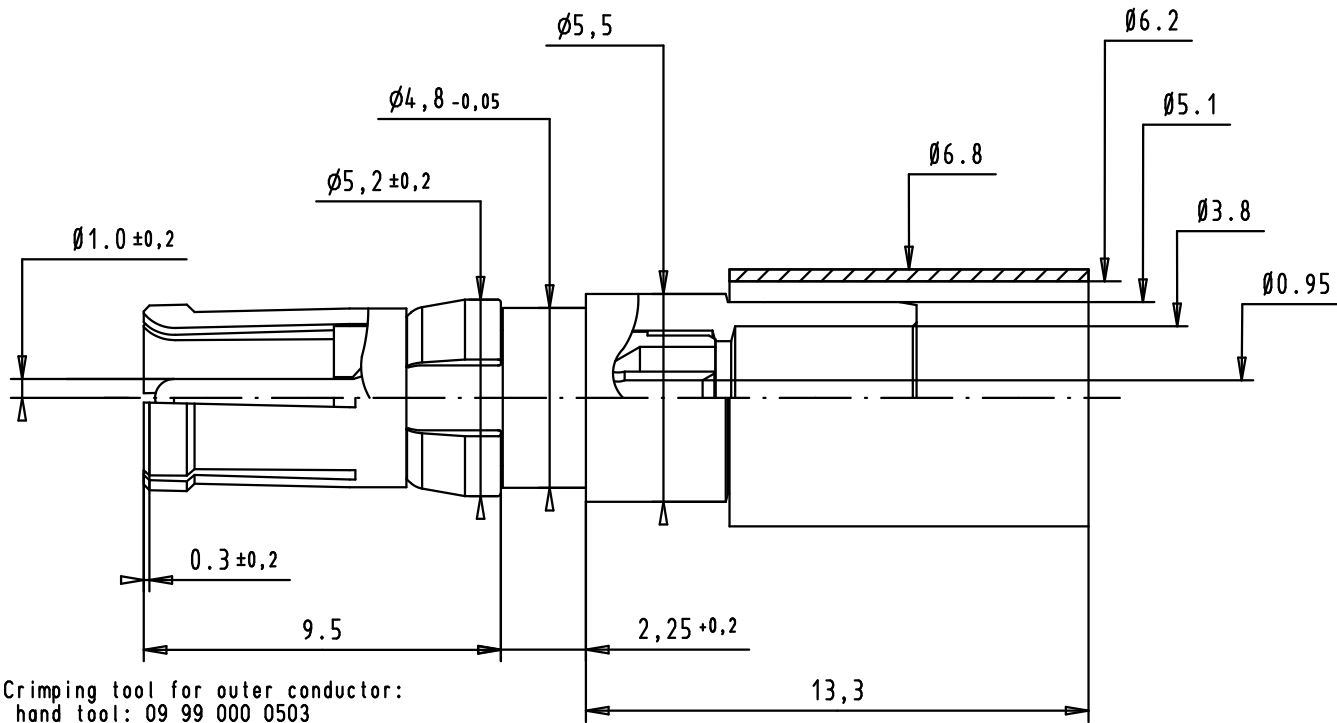
5

4

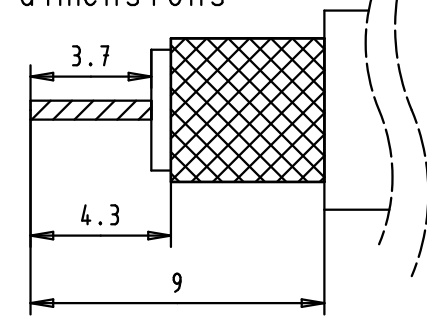
3

2

1



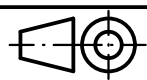
Cable trimming dimensions



Crimping tool for outer conductor:
hand tool: 09 99 000 0503
die: 09 99 000 0508 cavity A

Crimping tool for inner conductor:
hand tool: 09 99 000 0501
locator: 09 99 000 0507

with cables:	AWG 24
tool selections:	5



All Dimensions in mm
Original Size DIN A 4

Techn. Character.

Nicht tolerierte Maße/ Free size tolerances

09691827232	Mating area	0,2 μ m Au
	Termination area	5 μ m Sn
09691825232	Mating area	0,8 μ m Au
	Termination area	0,2 μ m Au
Part Number	Outer conductor plating	

36300	16-09-11	SD
Mod.	Dat.	Name

Detail.	16-09-11	SD	Maßstab/Scale 5:1
Insp.	16-09-11	BD	
Stand.			
HARTING EURL F-95972 Paris			

female coaxial contact 75 ohms cable terminations for d-sub, inner and outer conductors	
TB 09 69 182 x232	
Sub.	

