



Chipsmall Limited consists of a professional team with an average of over 10 year of expertise in the distribution of electronic components. Based in Hongkong, we have already established firm and mutual-benefit business relationships with customers from,Europe,America and south Asia,supplying obsolete and hard-to-find components to meet their specific needs.

With the principle of “Quality Parts,Customers Priority,Honest Operation,and Considerate Service”,our business mainly focus on the distribution of electronic components. Line cards we deal with include Microchip,ALPS,ROHM,Xilinx,Pulse,ON,Everlight and Freescale. Main products comprise IC,Modules,Potentiometer,IC Socket,Relay,Connector.Our parts cover such applications as commercial,industrial, and automotives areas.

We are looking forward to setting up business relationship with you and hope to provide you with the best service and solution. Let us make a better world for our industry!



Contact us

Tel: +86-755-8981 8866 Fax: +86-755-8427 6832

Email & Skype: info@chipsmall.com Web: www.chipsmall.com

Address: A1208, Overseas Decoration Building, #122 Zhenhua RD., Futian, Shenzhen, China



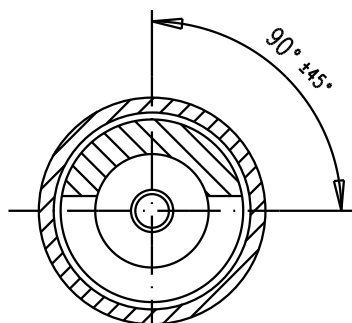
A

B

C

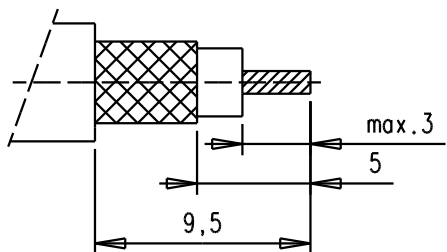
D

solder pot position:

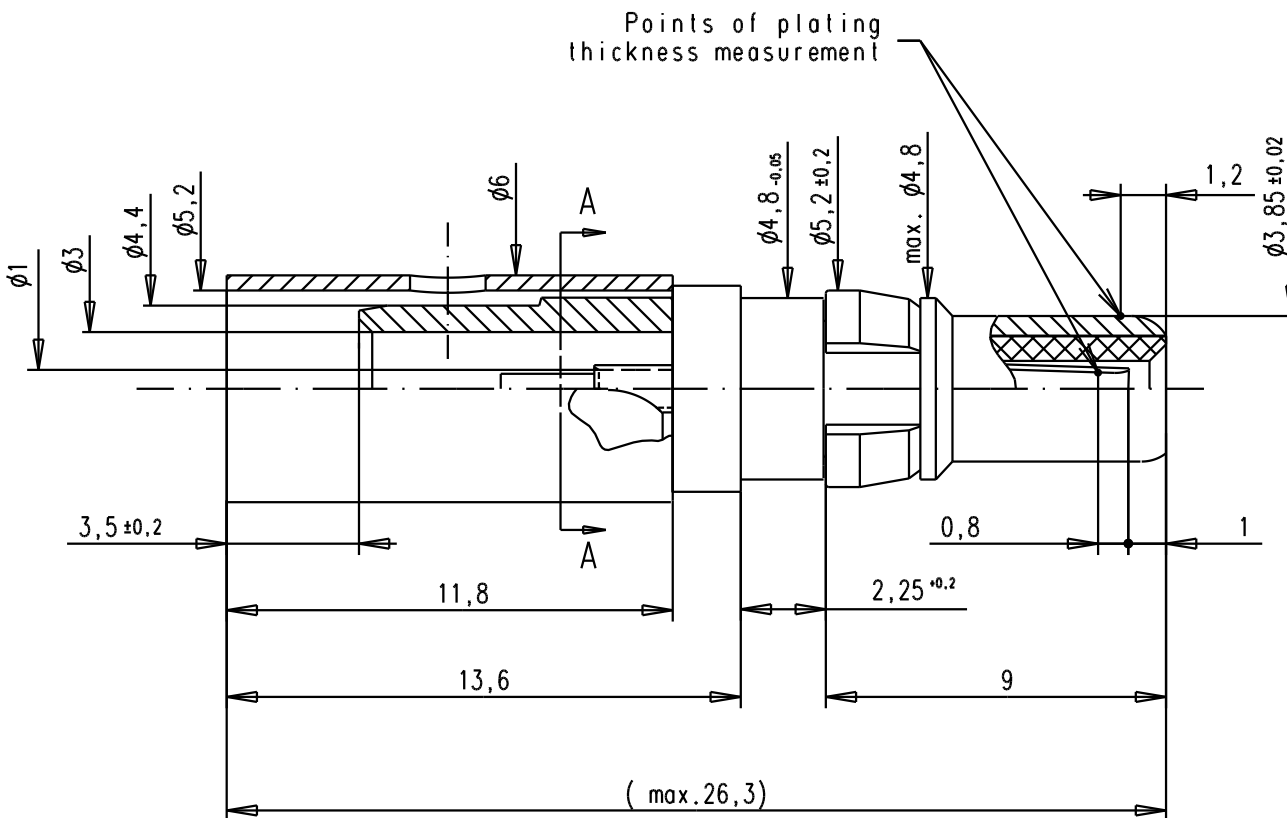


A-A

harnessing dimensions for cable RG 58CU, RG 141AU



Crimping tool of outer conductor:
 hand tool: 09 99 000 0503 00
 die: 09 99 000 0515 00
 cavity A



Points of plating thickness measurement

09692817143	Mating area	0,2 µm Au	0,2 µm Au			
	Termination area	5 µm Sn	0,2 µm Au			
09692815143	Mating area	0,8 µm Au	1,3 µm Au	32486	13/12/04	TR
	Termination area	0,2 µm Au	1,3 µm Au	32233	29/09/04	TR
Part number	Plating	outer conductor	inner conductor	Mod.	Dat.	Name

	Dat.	Name
Detail.	29/09/04	TR
Insp.		
Stand.		



All Dim. in mm
 Orig. Size DIN A 4

Male coaxial contact, 50 Ω,
 straight cable termination
 inner conductor for solder termination
 outer conductor for solder or
 crimp termination

Maßstab/
 Scale

5:1

HARTING EURL
 F-95972 Paris



TB 09 69 281 X143

Blatt / Page

1 / 1

Sub.