



Chipsmall Limited consists of a professional team with an average of over 10 year of expertise in the distribution of electronic components. Based in Hongkong, we have already established firm and mutual-benefit business relationships with customers from,Europe,America and south Asia,supplying obsolete and hard-to-find components to meet their specific needs.

With the principle of “Quality Parts,Customers Priority,Honest Operation,and Considerate Service”,our business mainly focus on the distribution of electronic components. Line cards we deal with include Microchip,ALPS,ROHM,Xilinx,Pulse,ON,Everlight and Freescale. Main products comprise IC,Modules,Potentiometer,IC Socket,Relay,Connector.Our parts cover such applications as commercial,industrial, and automotives areas.

We are looking forward to setting up business relationship with you and hope to provide you with the best service and solution. Let us make a better world for our industry!



## Contact us

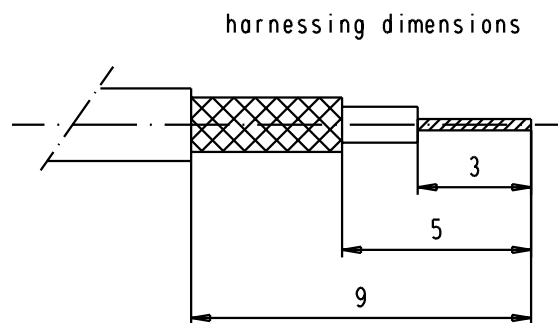
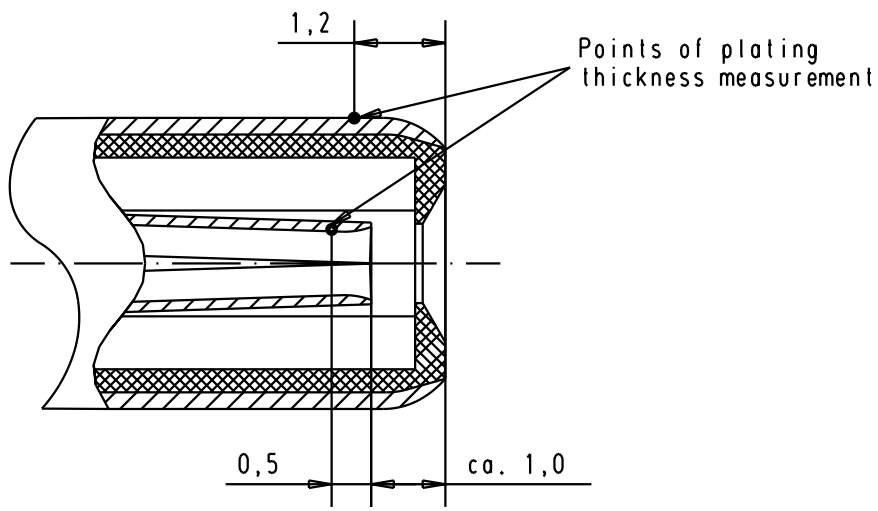
Tel: +86-755-8981 8866 Fax: +86-755-8427 6832

Email & Skype: info@chipsmall.com Web: www.chipsmall.com

Address: A1208, Overseas Decoration Building, #122 Zhenhua RD., Futian, Shenzhen, China

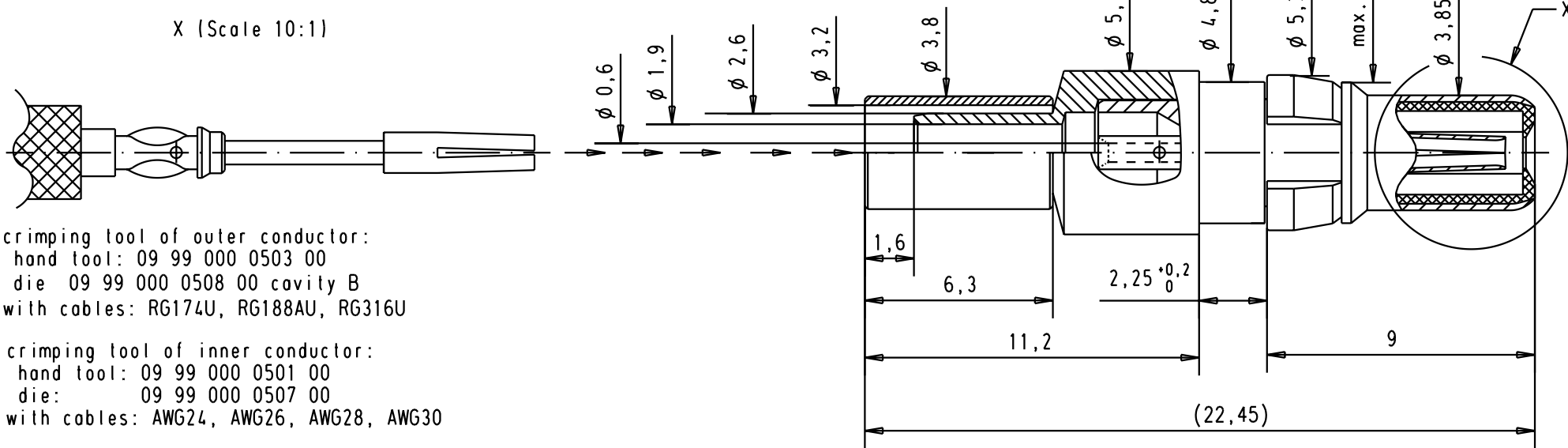


5 4 3 2 1



0,5 ca. 1,0

X (Scale 10:1)



crimping tool of outer conductor:  
hand tool: 09 99 000 0503 00  
die 09 99 000 0508 00 cavity B  
with cables: RG174U, RG188AU, RG316U

crimping tool of inner conductor:  
hand tool: 09 99 000 0501 00  
die: 09 99 000 0507 00  
with cables: AWG24, AWG26, AWG28, AWG30

							Dat. Name		<p>All Dim. in mm Orig. Size DIN A 4</p>	Male coaxial contact, 50 Ohms straight cable termination, inner and outer conductor for crimp termination	Maßstab/ Scale 5:1
09692827140	Mating area	0,2 µm Au	0,2 µm Au	Detail.	21-JUN-02	CV	Insp.				
	Termination area	5 µm Sn	0,2 µm Au	Stand.							
09692825140	Mating area	0,8 µm Au	1,3 µm Au	31057	21-JUN-02	CV	HARTING EURL F-95972 Paris			TB 09 69 282 x140 Sub.	Blatt/ Page 1 / 1
	Termination area	0,2 µm Au	1,3 µm Au								
Part number	Plating	outer conductor	inner conductor	Mod.	Dat.	Name					