



Chipsmall Limited consists of a professional team with an average of over 10 year of expertise in the distribution of electronic components. Based in Hongkong, we have already established firm and mutual-benefit business relationships with customers from,Europe,America and south Asia,supplying obsolete and hard-to-find components to meet their specific needs.

With the principle of “Quality Parts,Customers Priority,Honest Operation,and Considerate Service”,our business mainly focus on the distribution of electronic components. Line cards we deal with include Microchip,ALPS,ROHM,Xilinx,Pulse,ON,Everlight and Freescale. Main products comprise IC,Modules,Potentiometer,IC Socket,Relay,Connector.Our parts cover such applications as commercial,industrial, and automotives areas.

We are looking forward to setting up business relationship with you and hope to provide you with the best service and solution. Let us make a better world for our industry!



Contact us

Tel: +86-755-8981 8866 Fax: +86-755-8427 6832

Email & Skype: info@chipsmall.com Web: www.chipsmall.com

Address: A1208, Overseas Decoration Building, #122 Zhenhua RD., Futian, Shenzhen, China



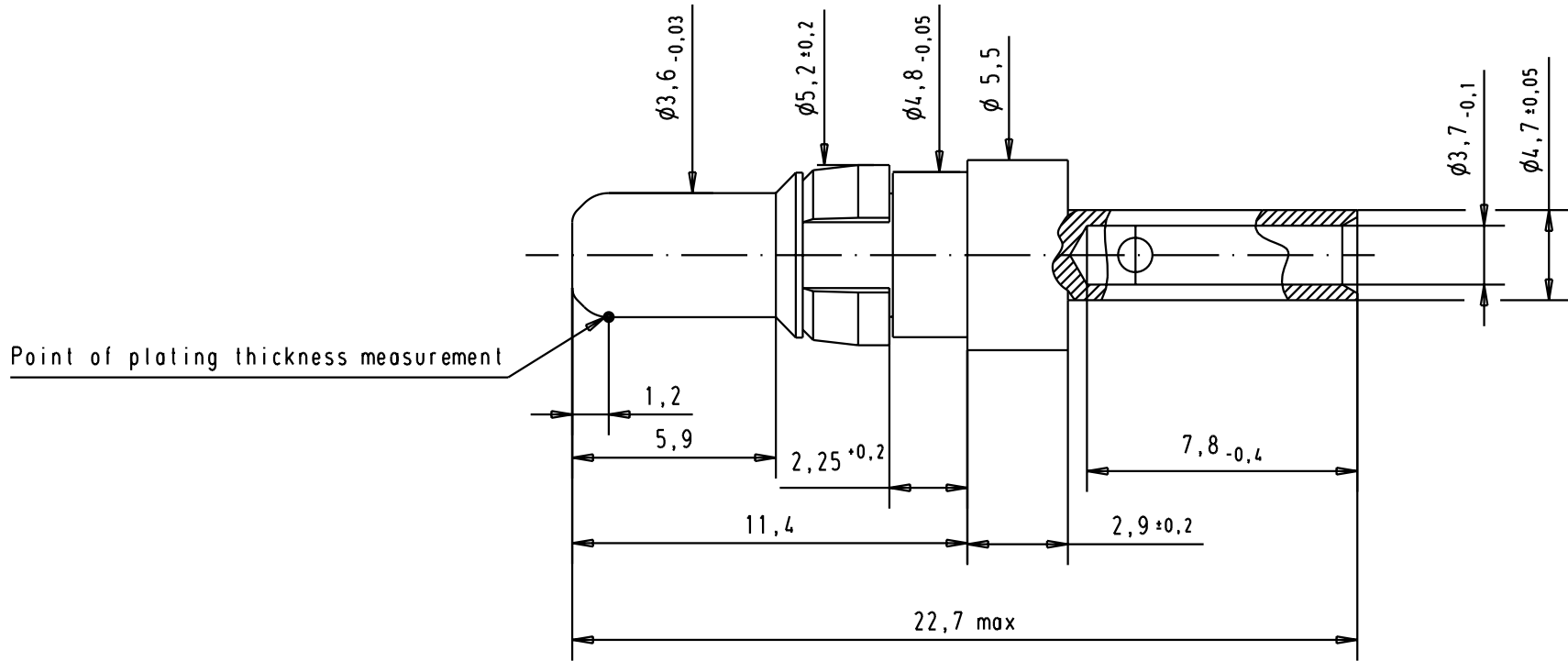
5

4

3

2

1



Crimping tool: 09 99 000 0509
 Positioner: 09 99 000 0504

A

Part number	Plating	Mod.	Dat.	Name	Inspection	Date	Name	Symbol	Description	Scale
09692827422	Mating area	0,2 μ m Au			Detail.	21-JUN-02	CV	 All Dim. in mm Orig. Size DIN A 4	Male High power contact, 30A straight cable termination, crimp for AWG 10-12	Maßstab/ Scale 5:1
	Termination area	0,2 μ m Au			Insp.					
09692825422	Mating area	0,8 μ m Au			Stand.				TB 09 69 282 x422	Blatt/ Page 1 / 1
	Termination area	0,2 μ m Au	31057	21-JUN-02	CV					
Part number	Plating	Mod.	Dat.	Name	HARTING EURL F-95972 Paris				Sub.	