



Chipsmall Limited consists of a professional team with an average of over 10 year of expertise in the distribution of electronic components. Based in Hongkong, we have already established firm and mutual-benefit business relationships with customers from,Europe,America and south Asia,supplying obsolete and hard-to-find components to meet their specific needs.

With the principle of “Quality Parts,Customers Priority,Honest Operation,and Considerate Service”,our business mainly focus on the distribution of electronic components. Line cards we deal with include Microchip,ALPS,ROHM,Xilinx,Pulse,ON,Everlight and Freescale. Main products comprise IC,Modules,Potentiometer,IC Socket,Relay,Connector.Our parts cover such applications as commercial,industrial, and automotives areas.

We are looking forward to setting up business relationship with you and hope to provide you with the best service and solution. Let us make a better world for our industry!



## Contact us

Tel: +86-755-8981 8866 Fax: +86-755-8427 6832

Email & Skype: info@chipsmall.com Web: www.chipsmall.com

Address: A1208, Overseas Decoration Building, #122 Zhenhua RD., Futian, Shenzhen, China



5

4

3

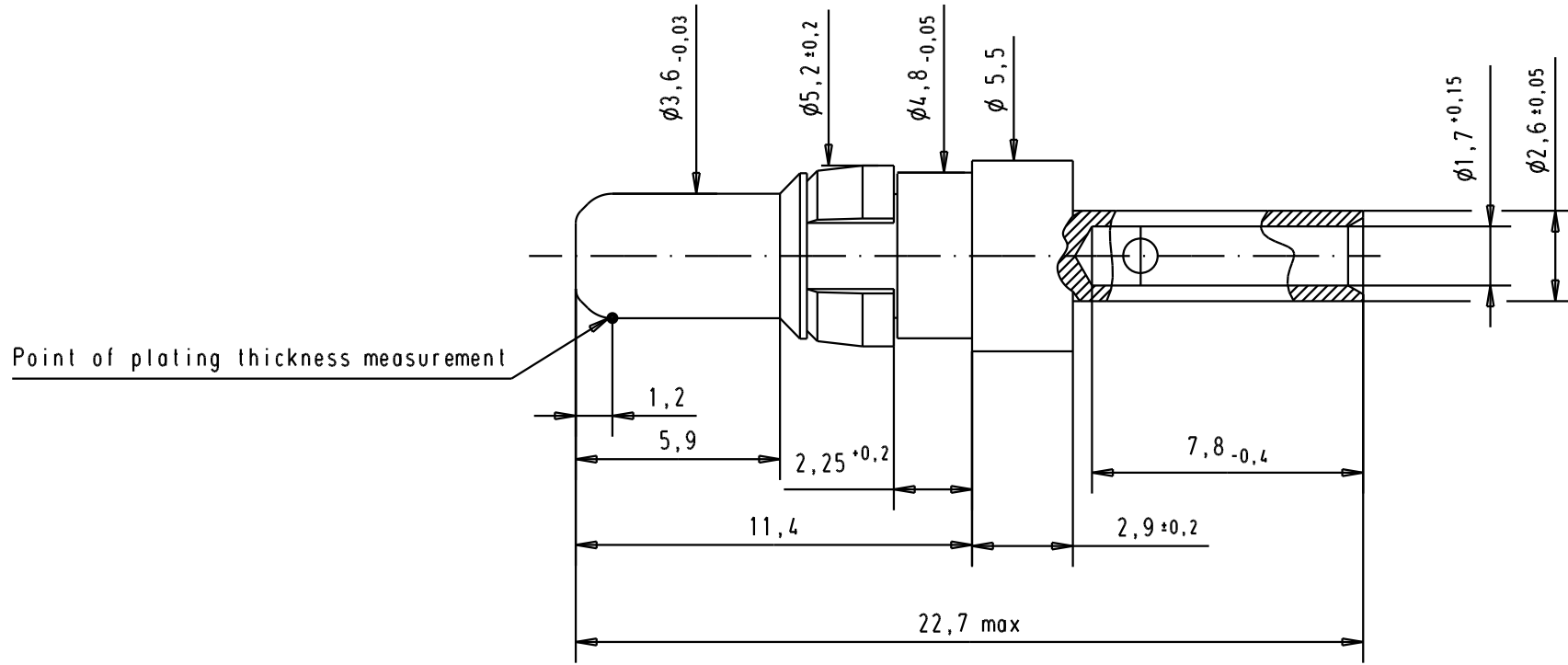
2

1

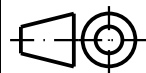

D

C

B



Crimping tool: 09 99 000 0509  
 Positioner: 09 99 000 0504

						Dat.		Name		 All Dim. in mm Orig. Size DIN A 4		Male High power contact, 10A, straight cable termination, crimp for AWG 16-20		Maßstab/ Scale 5:1	
A	09692827420	Mating area	0,2 $\mu\text{m}$ Au			Detail.	14/04/04	JH							
		Termination area	0,2 $\mu\text{m}$ Au			Insp.									
	09692825420	Mating area	0,8 $\mu\text{m}$ Au	32809	21/04/05	AL	HARTING EURL			TB 09 69 282 x420		Blatt / Page			
		Termination area	0,2 $\mu\text{m}$ Au	31887	14/04/04	JH	F-95972 Paris					1 / 1			
	Part number	Plating			Mod.	Dat.	Name			Sub.					