



Chipsmall Limited consists of a professional team with an average of over 10 year of expertise in the distribution of electronic components. Based in Hongkong, we have already established firm and mutual-benefit business relationships with customers from,Europe,America and south Asia,supplying obsolete and hard-to-find components to meet their specific needs.

With the principle of “Quality Parts,Customers Priority,Honest Operation,and Considerate Service”,our business mainly focus on the distribution of electronic components. Line cards we deal with include Microchip,ALPS,ROHM,Xilinx,Pulse,ON,Everlight and Freescale. Main products comprise IC,Modules,Potentiometer,IC Socket,Relay,Connector.Our parts cover such applications as commercial,industrial, and automotives areas.

We are looking forward to setting up business relationship with you and hope to provide you with the best service and solution. Let us make a better world for our industry!



Contact us

Tel: +86-755-8981 8866 Fax: +86-755-8427 6832

Email & Skype: info@chipsmall.com Web: www.chipsmall.com

Address: A1208, Overseas Decoration Building, #122 Zhenhua RD., Futian, Shenzhen, China

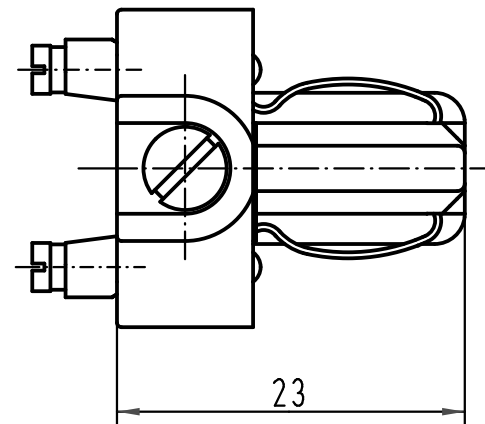
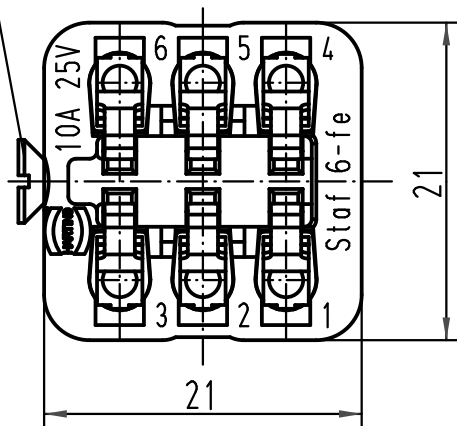


1 2 3 4 5 6

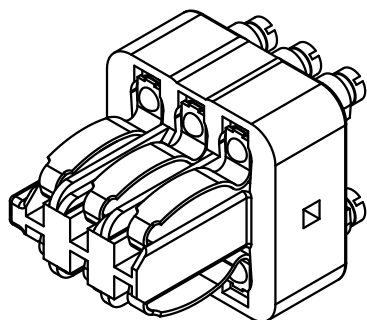
A

Senkblechschraube/ countersunk screw
ISO 1482- ST2,9x13-F

B



C



D

All Dimensions in mm Original Size DIN A 4		Techn. Character.			Nicht tolerierte Maße/ Free size tolerances	
			Dat.	Name	Maßstab/ Scale	Staf 6-fe-s Federeinsatz/female insert (M)
		Detail.	15.02.93	ENGL ICH		
		Insp.		HERB		
		Stand.				
414073	14.08.08	Rull			2:1	TB 09 70 006 2813 Sub. TB 09 70 006 2813 v.19.05.71
413578	18.01.08	Ho	HARTING Electric GmbH & Co. KG			
30494	13.03.02	DY	D-32339 Espelkamp			
Mod.	Dat.	Name				Blatt/ page