



Chipsmall Limited consists of a professional team with an average of over 10 year of expertise in the distribution of electronic components. Based in Hongkong, we have already established firm and mutual-benefit business relationships with customers from,Europe,America and south Asia,supplying obsolete and hard-to-find components to meet their specific needs.

With the principle of “Quality Parts,Customers Priority,Honest Operation,and Considerate Service”,our business mainly focus on the distribution of electronic components. Line cards we deal with include Microchip,ALPS,ROHM,Xilinx,Pulse,ON,Everlight and Freescale. Main products comprise IC,Modules,Potentiometer,IC Socket,Relay,Connector.Our parts cover such applications as commercial,industrial, and automotives areas.

We are looking forward to setting up business relationship with you and hope to provide you with the best service and solution. Let us make a better world for our industry!



## Contact us

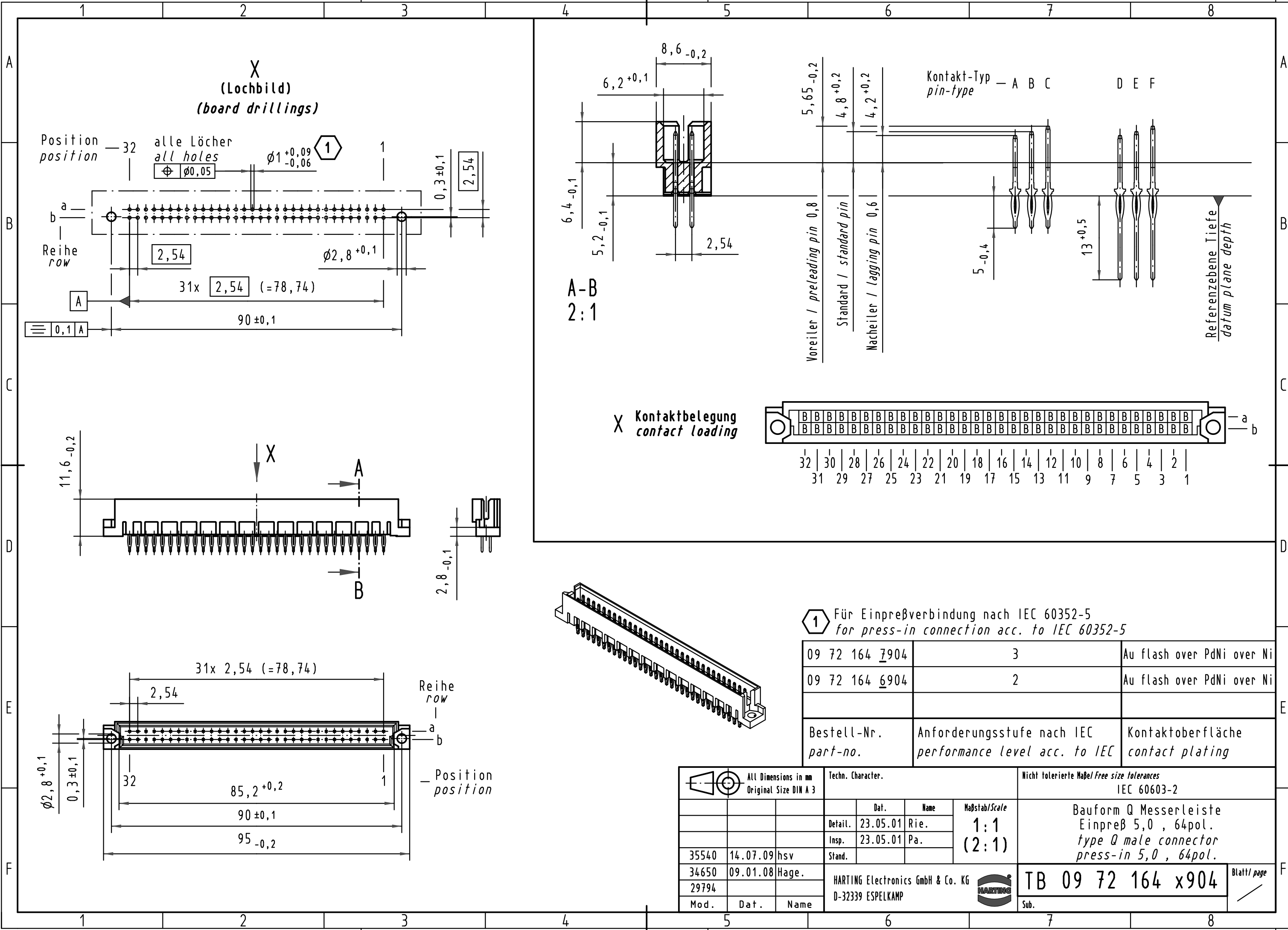
Tel: +86-755-8981 8866 Fax: +86-755-8427 6832

Email & Skype: info@chipsmall.com Web: www.chipsmall.com

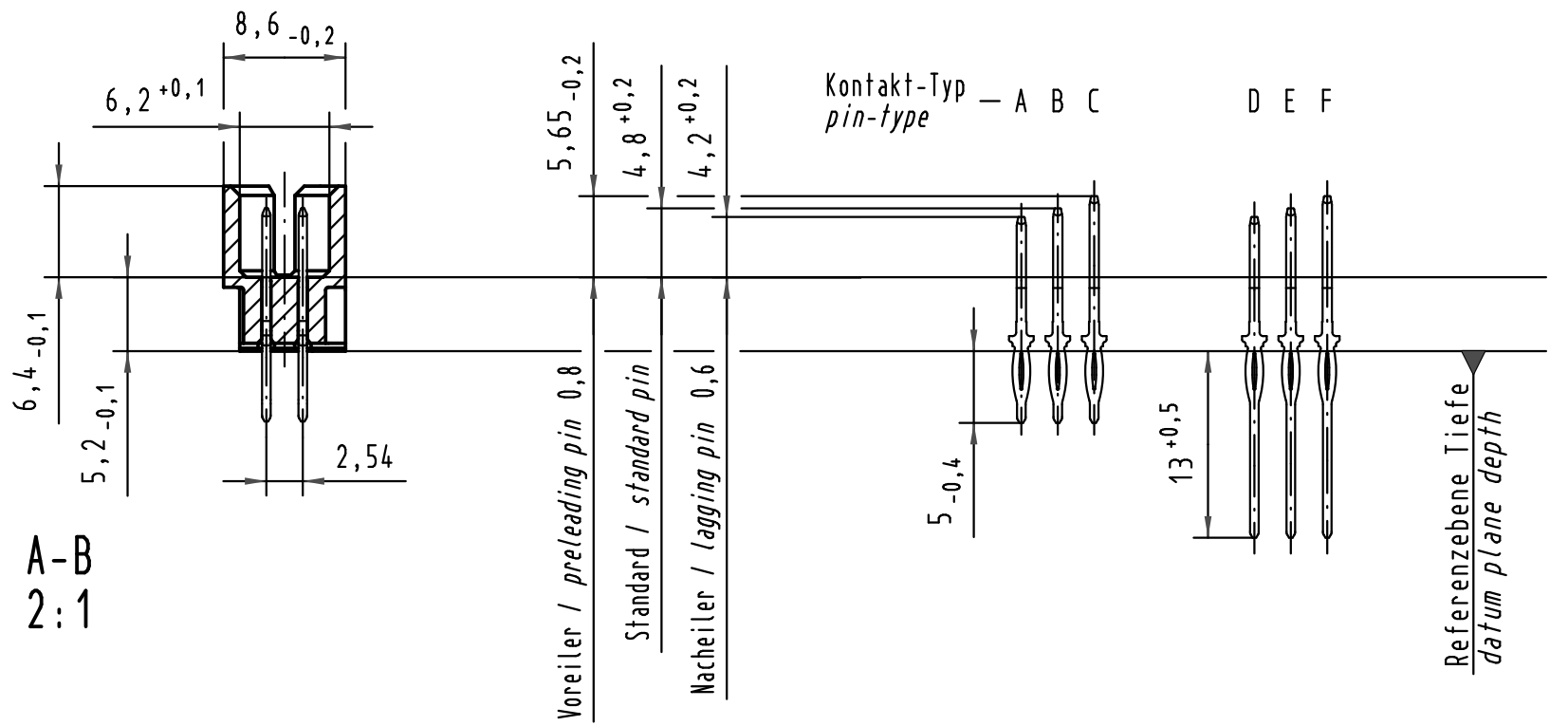
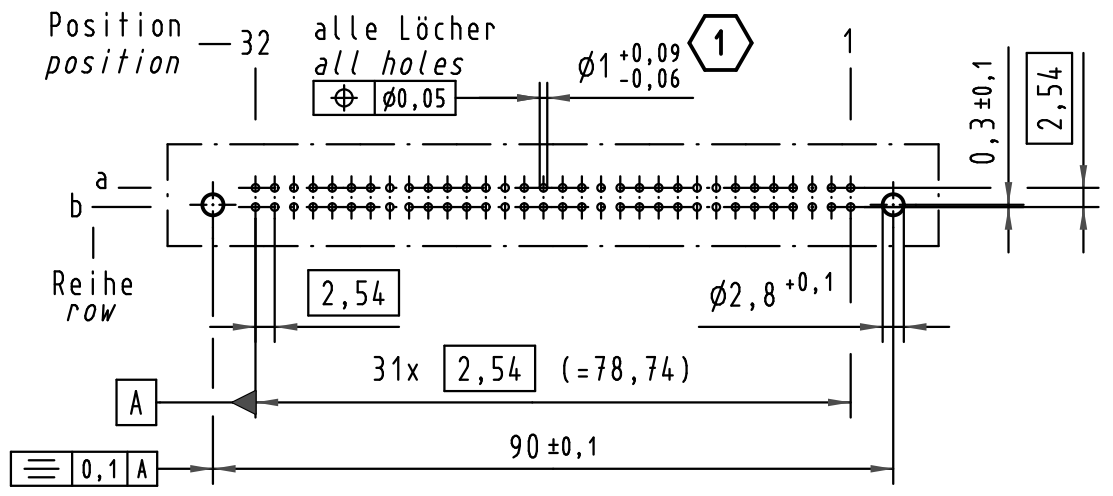
Address: A1208, Overseas Decoration Building, #122 Zhenhua RD., Futian, Shenzhen, China



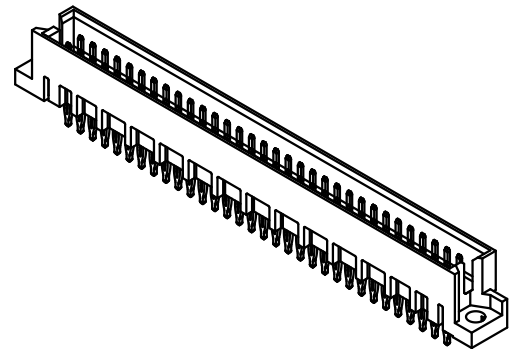
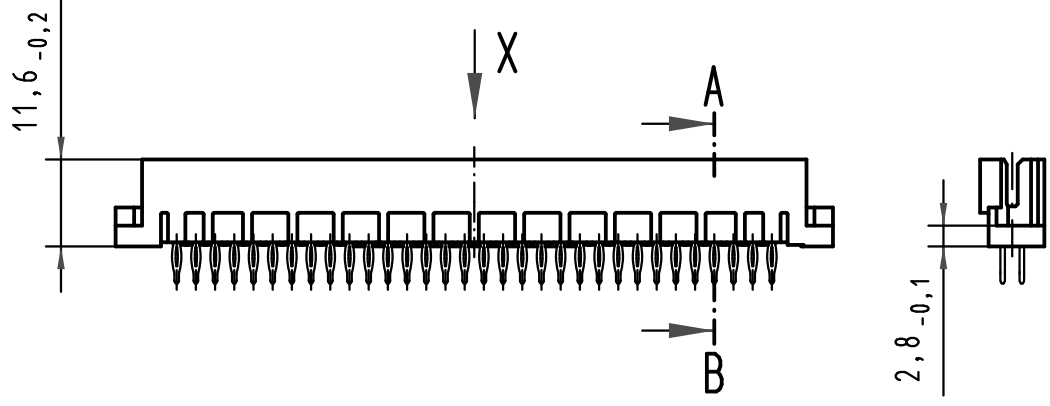
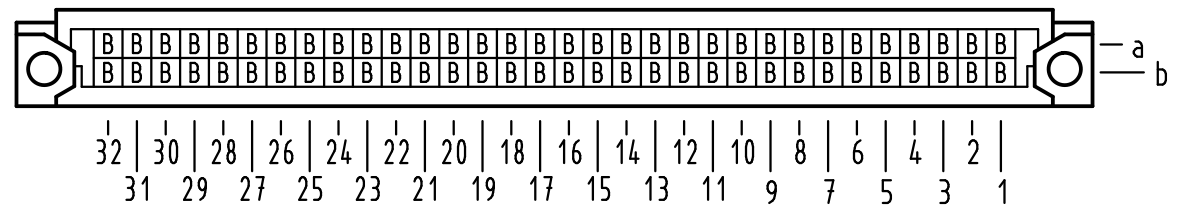
Alle Rechte vorbehalten/ All rights reserved



**X**  
(Lochbild)  
(board drillings)

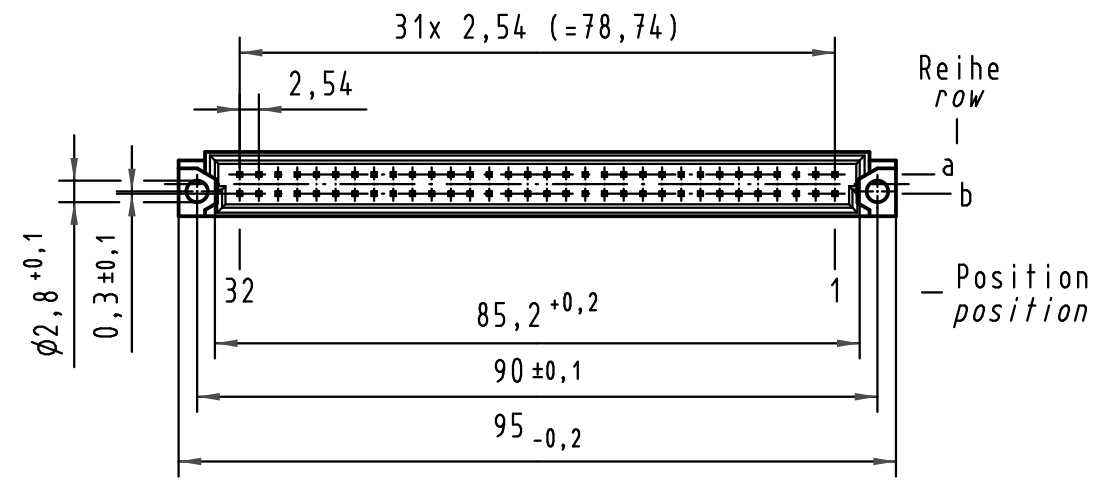


**X** Kontaktbelegung  
contact loading



1 Für Einpreßverbindung nach IEC 60352-5  
for press-in connection acc. to IEC 60352-5

09 72 164 7904	3	Au flash over PdNi over Ni
09 72 164 6904	2	Au flash over PdNi over Ni
Bestell-Nr. part-no.	Anforderungsstufe nach IEC performance level acc. to IEC	Kontaktoberfläche contact plating



All Dimensions in mm Original Size DIN A 3		Techn. Character.			Nicht tolerierte Maßel Free size tolerances IEC 60603-2	
		Dat.	Name	Maßstab/Scale	Bauform Q Messerleiste Einpreß 5,0 , 64pol. type Q male connector press-in 5,0 , 64pol.	
		Detail.	23.05.01 Rie.	1:1 (2:1)		
		Insp.	23.05.01 Pa.			
35540	14.07.09	hsv	Stand.		TB 09 72 164 x904 Sub.	
34650	09.01.08	Hage.				
29794						
Mod.	Dat.	Name	HARTING Electronics GmbH & Co. KG D-32339 ESPELKAMP		Blatt/ page	