



Chipsmall Limited consists of a professional team with an average of over 10 year of expertise in the distribution of electronic components. Based in Hongkong, we have already established firm and mutual-benefit business relationships with customers from,Europe,America and south Asia,supplying obsolete and hard-to-find components to meet their specific needs.

With the principle of “Quality Parts,Customers Priority,Honest Operation,and Considerate Service”,our business mainly focus on the distribution of electronic components. Line cards we deal with include Microchip,ALPS,ROHM,Xilinx,Pulse,ON,Everlight and Freescale. Main products comprise IC,Modules,Potentiometer,IC Socket,Relay,Connector.Our parts cover such applications as commercial,industrial, and automotives areas.

We are looking forward to setting up business relationship with you and hope to provide you with the best service and solution. Let us make a better world for our industry!



Contact us

Tel: +86-755-8981 8866 Fax: +86-755-8427 6832

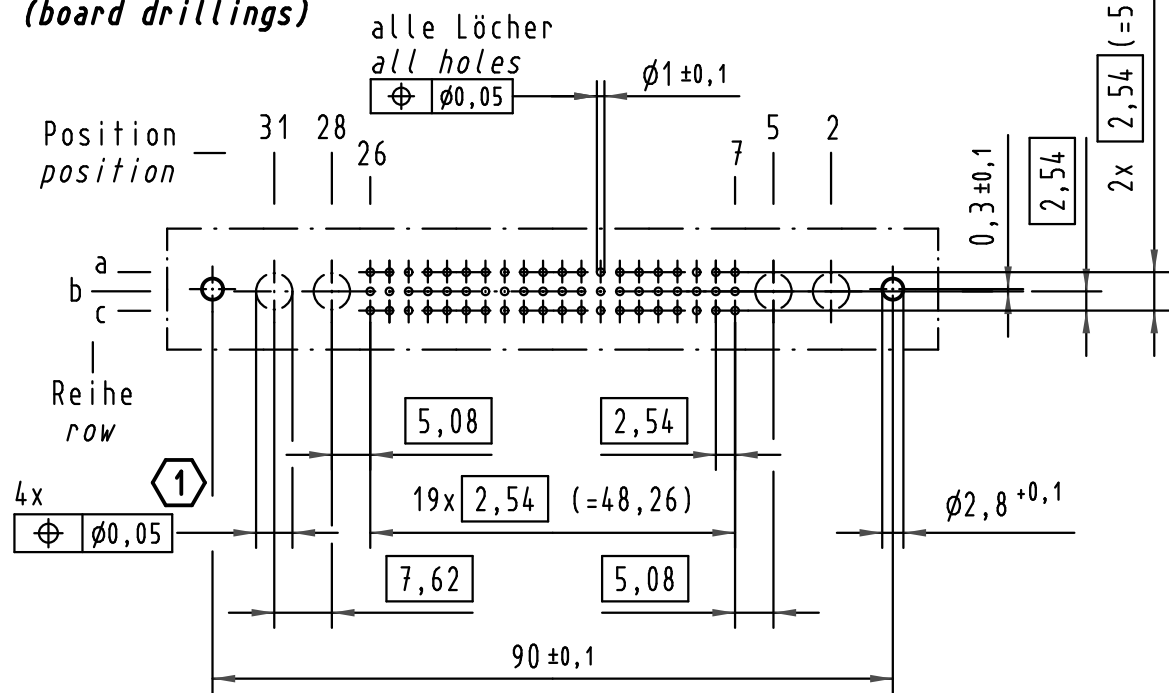
Email & Skype: info@chipsmall.com Web: www.chipsmall.com

Address: A1208, Overseas Decoration Building, #122 Zhenhua RD., Futian, Shenzhen, China

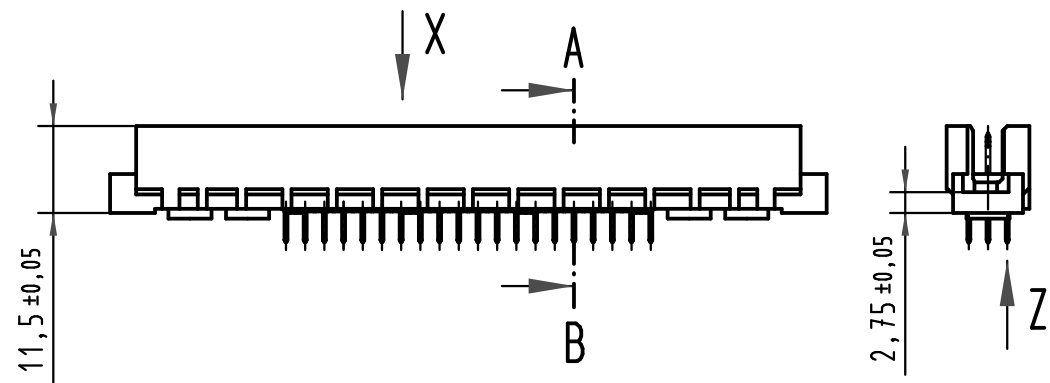
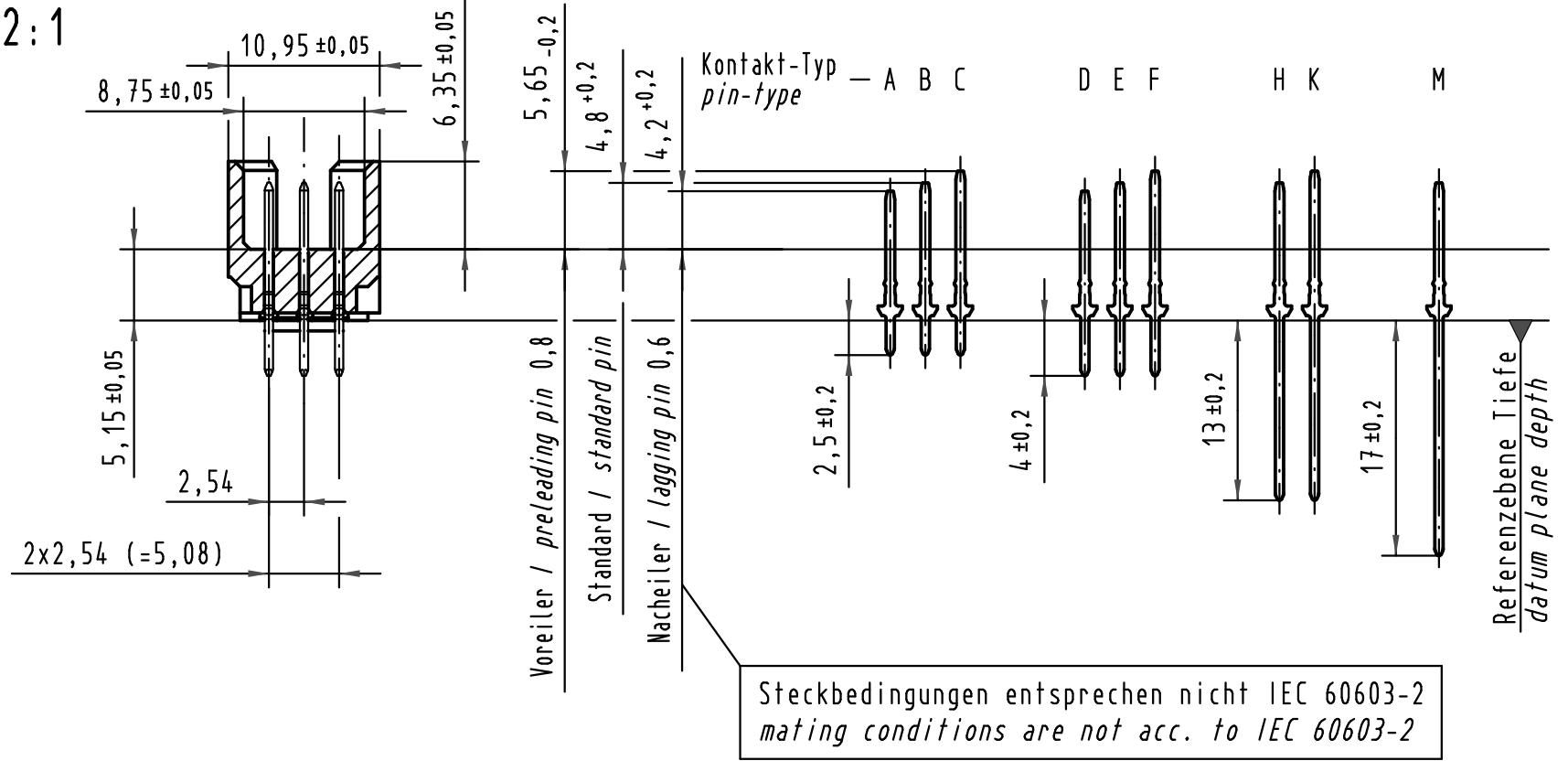


Alle Rechte vorbehalten/ All rights reserved

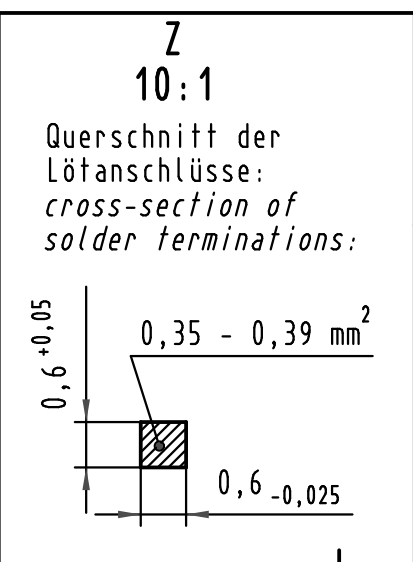
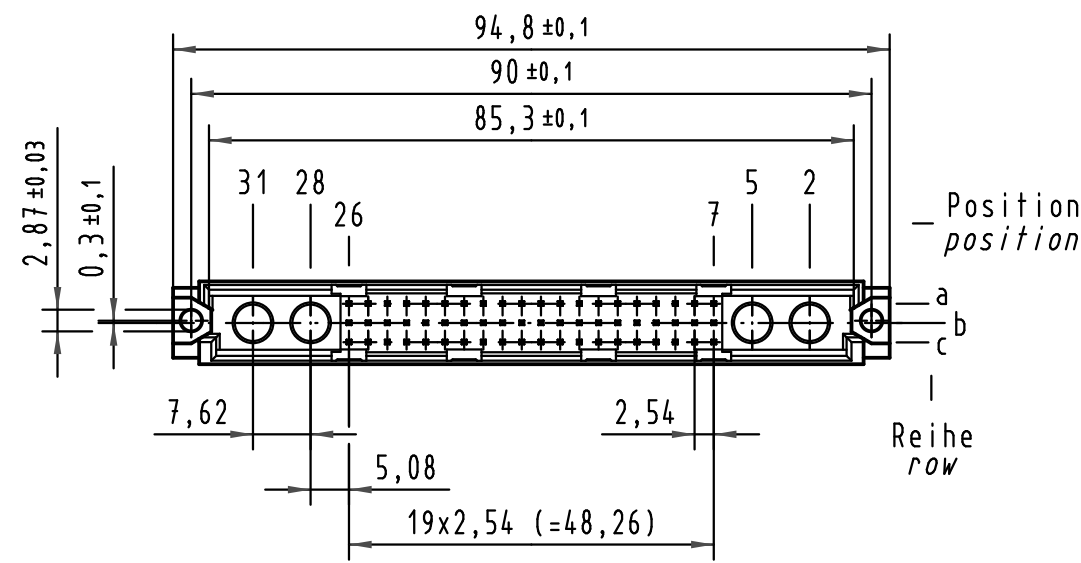
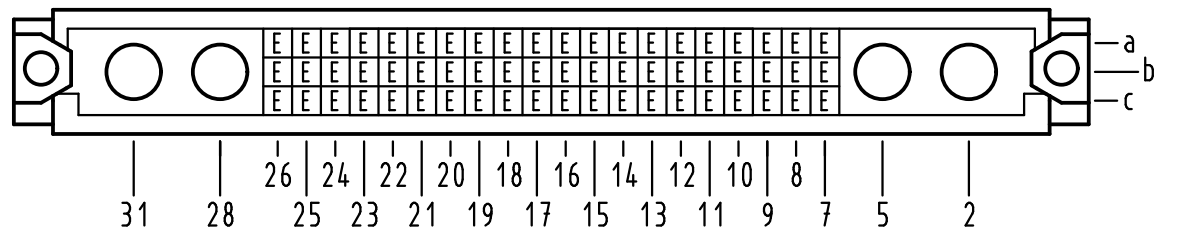
X
(Lochbild)
(board drillings)



A-B
2:1



X Kontaktbelegung
contact loading



① Lochdurchmesser ist auf den jeweiligen Kontakt abzustimmen
hole diameter is to be coordinated with the respective contact

09 73 160 6903	2	Au flash over PdNi over Ni
Bestell-Nr. part-No.	Anforderungsstufe nach IEC performance level acc. to IEC	Kontaktoberfläche contact plating

All Dimensions in mm Original Size DIN A 3		Techn. Character.		Nicht tolerierte Maß/Free size tolerances IEC 60603-2	
		Dat.	Name	Maßstab/Scale	
		Detail.	09.02.05 Hil	1:1	
		Insp.	09.02.05 kfoe	2:1	
		Stand.		10:1	
35548	16.07.09 hsv	HARTING Electronics GmbH & Co. KG		TB 09 73 160 x903	
32541		D-32339 ESPELKAMP			
Mod.	Dat.	Name		Blatt/ page	
				Sub.	