



Chipsmall Limited consists of a professional team with an average of over 10 year of expertise in the distribution of electronic components. Based in Hongkong, we have already established firm and mutual-benefit business relationships with customers from,Europe,America and south Asia,supplying obsolete and hard-to-find components to meet their specific needs.

With the principle of “Quality Parts,Customers Priority,Honest Operation,and Considerate Service”,our business mainly focus on the distribution of electronic components. Line cards we deal with include Microchip,ALPS,ROHM,Xilinx,Pulse,ON,Everlight and Freescale. Main products comprise IC,Modules,Potentiometer,IC Socket,Relay,Connector.Our parts cover such applications as commercial,industrial, and automotives areas.

We are looking forward to setting up business relationship with you and hope to provide you with the best service and solution. Let us make a better world for our industry!



## Contact us

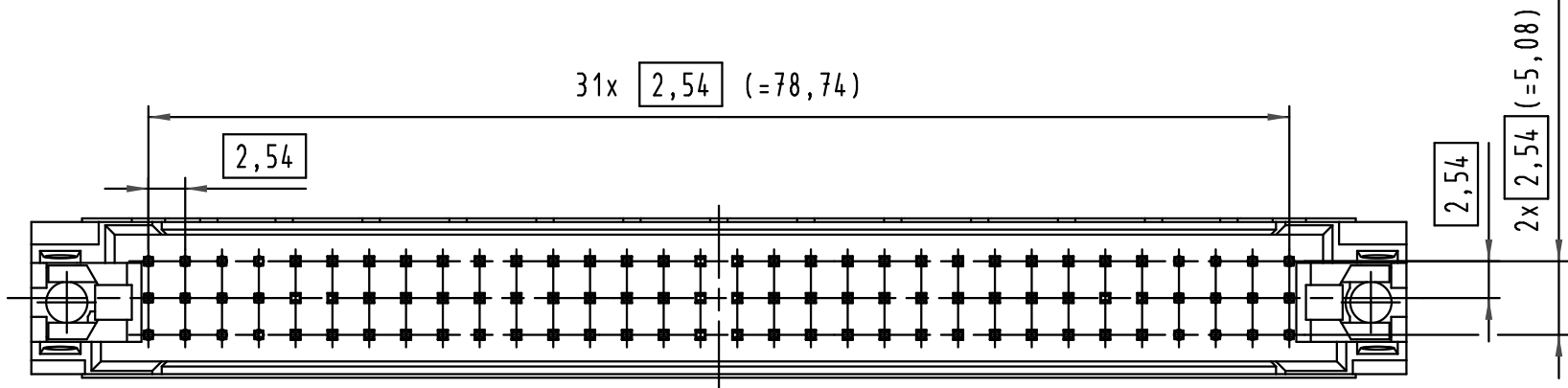
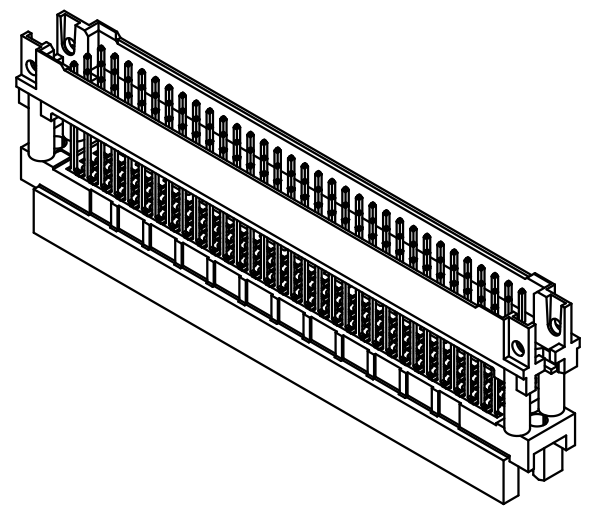
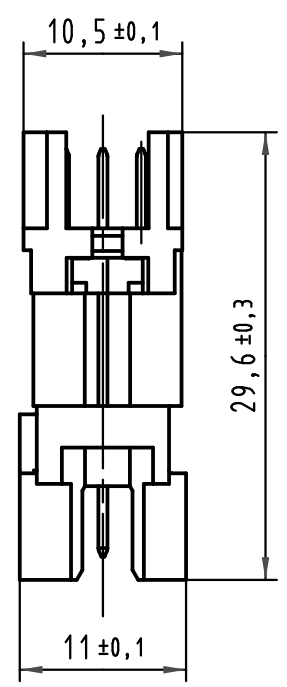
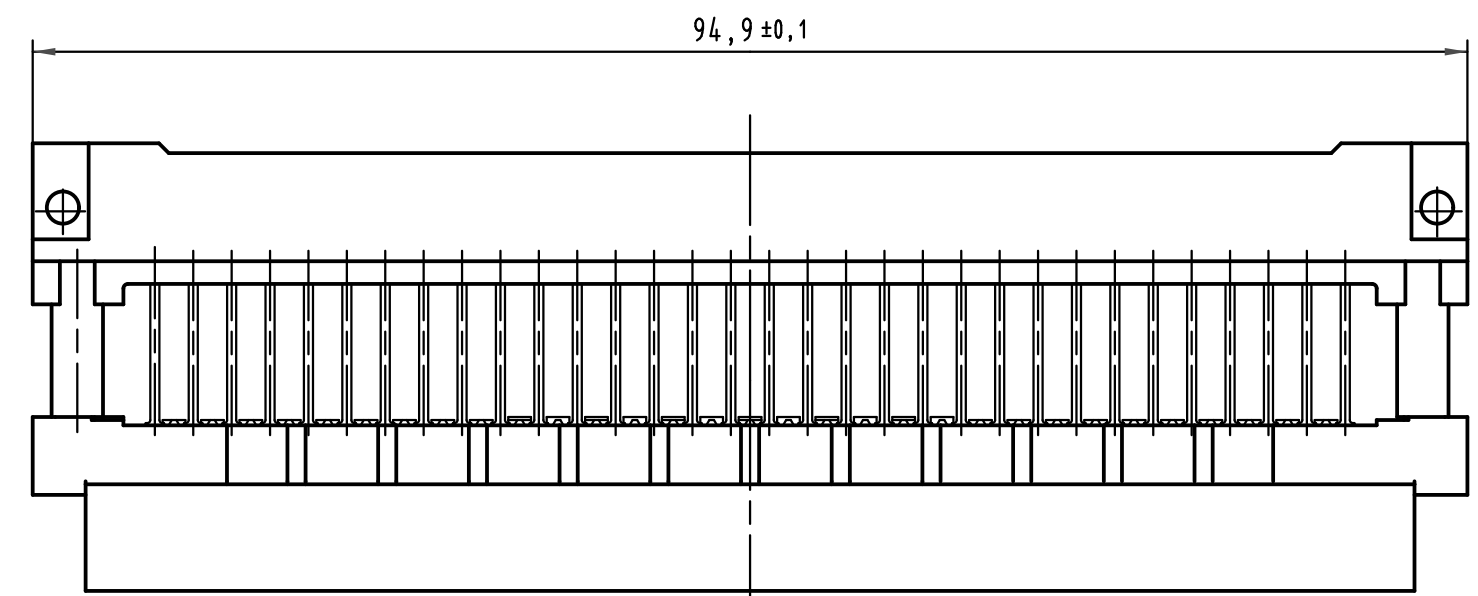
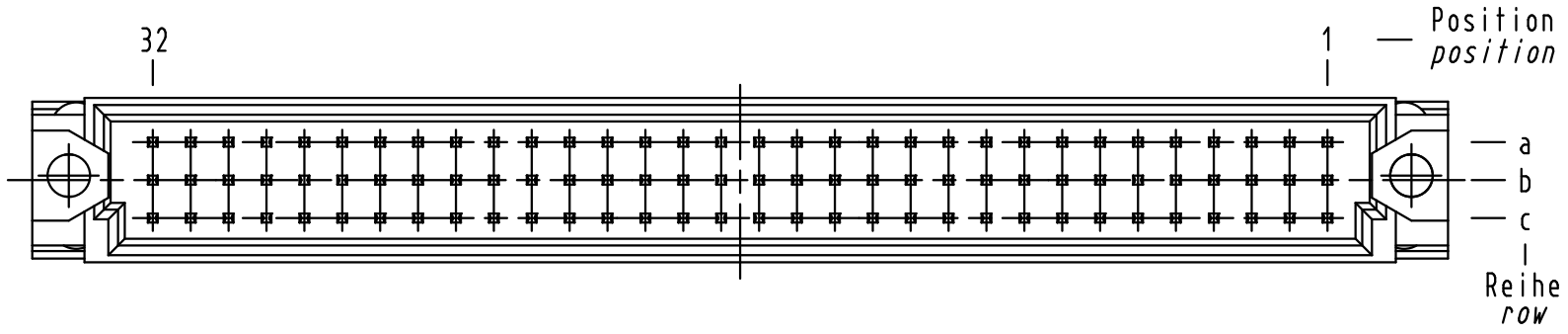
Tel: +86-755-8981 8866 Fax: +86-755-8427 6832

Email & Skype: info@chipsmall.com Web: www.chipsmall.com

Address: A1208, Overseas Decoration Building, #122 Zhenhua RD., Futian, Shenzhen, China



Alle Rechte vorbehalten/ All rights reserved



RoHS-Konform  
 RoHS compliant  
 fehlende Maße und Angaben siehe TB 09 73 196 x909 und TB 09 03 000 995x  
 missing dimensions and remarks see TB 09 73 196 x909 and TB 09 03 000 995x

09 73 196 5531	-	min. 0,76µm (30µin) Au über/over min. 1,27µm (50µin) Ni
Bestell-Nr. part-no.	Anforderungsstufe nach IEC performance level acc. to IEC	Kontaktoberfläche contact plating

All Dimensions in mm Original Size DIN A 3	Techn. Character.			Nicht tolerierte Maß/Free size tolerances	
		Dat.	Name	Maßstab/Scale <b>2:1</b>	<b>Bauform R Messerleiste</b> <b>WW 17 , 96pol. mit Übergaberahmen Einpress</b> <b>type R male connector</b> <b>WW 17 , 96pol. with shroud press-in</b>
	Detail.	22.06.06 Hage.			
	Insp.	22.06.06 Ge.			
	Stand.				
32597	HARTING Electronics GmbH & Co. KG				<b>TB 09 73 196 x531</b>
Mod.	Dat.	Name	D-32339 ESPELKAMP		