



Chipsmall Limited consists of a professional team with an average of over 10 year of expertise in the distribution of electronic components. Based in Hongkong, we have already established firm and mutual-benefit business relationships with customers from,Europe,America and south Asia,supplying obsolete and hard-to-find components to meet their specific needs.

With the principle of "Quality Parts,Customers Priority,Honest Operation,and Considerate Service",our business mainly focus on the distribution of electronic components. Line cards we deal with include Microchip,ALPS,ROHM,Xilinx,Pulse,ON,Everlight and Freescale. Main products comprise IC,Modules,Potentiometer,IC Socket,Relay,Connector.Our parts cover such applications as commercial,industrial, and automotives areas.

We are looking forward to setting up business relationship with you and hope to provide you with the best service and solution. Let us make a better world for our industry!



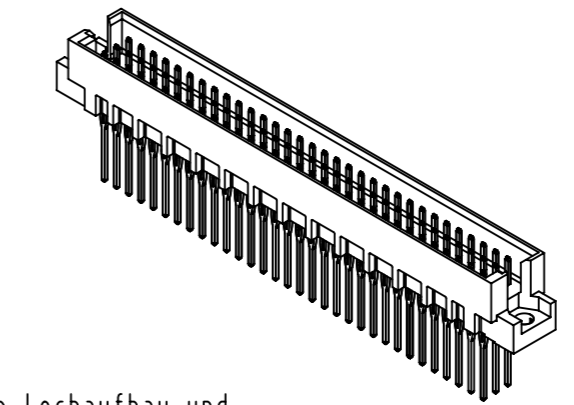
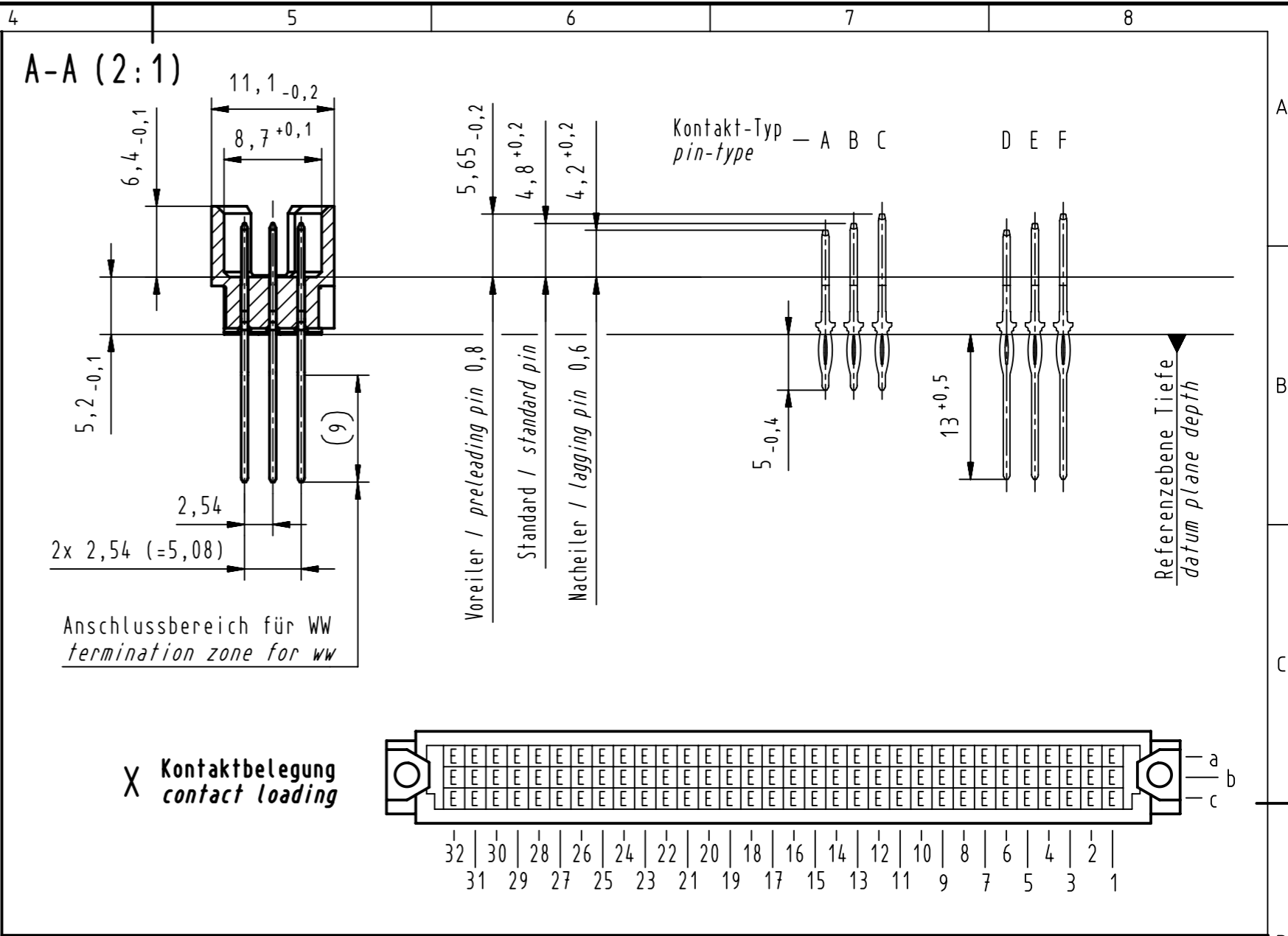
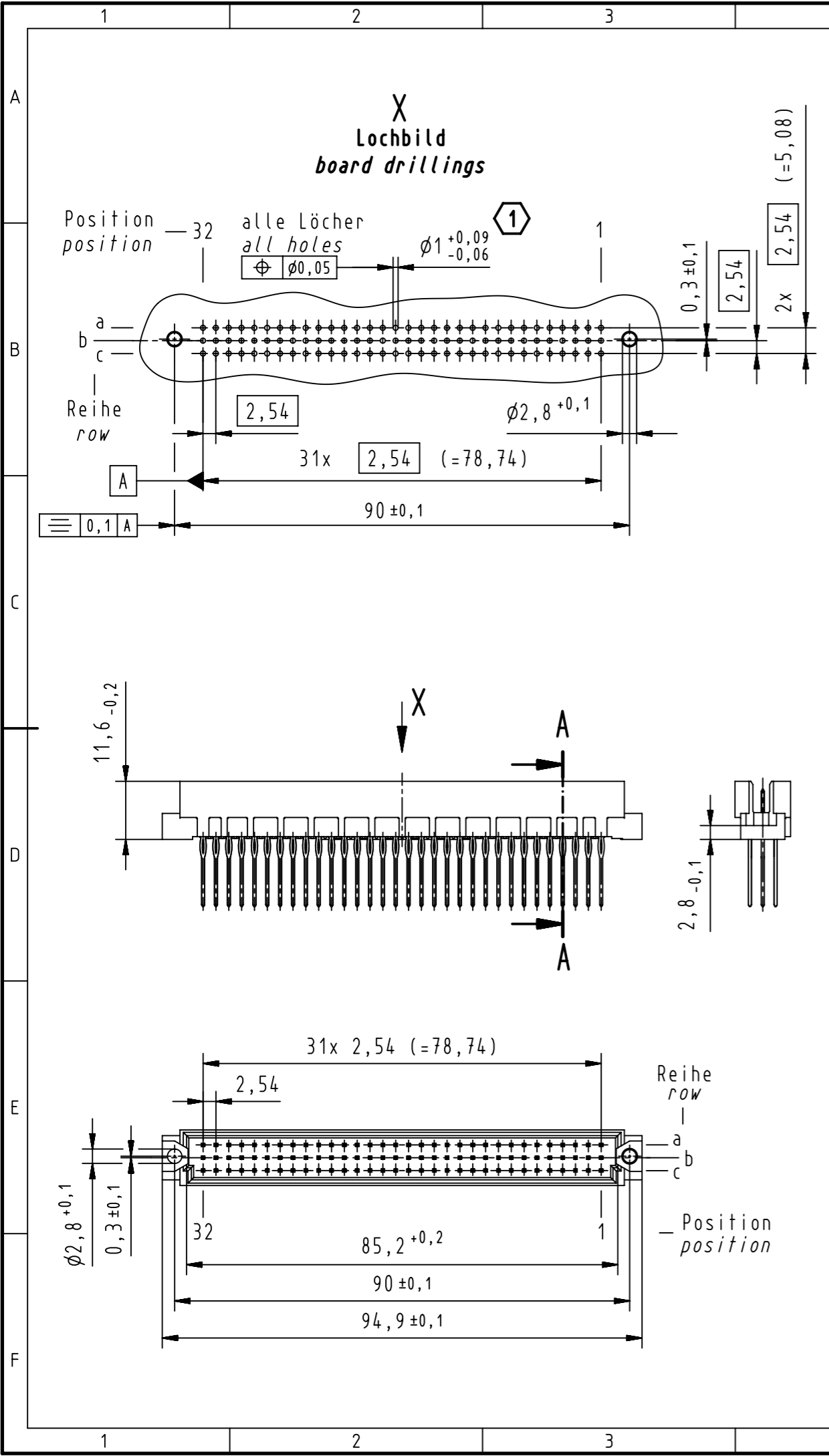
Contact us

Tel: +86-755-8981 8866 Fax: +86-755-8427 6832

Email & Skype: info@chipsmall.com Web: www.chipsmall.com

Address: A1208, Overseas Decoration Building, #122 Zhenhua RD., Futian, Shenzhen, China





1 Empfohlener Lochaufbau und weitere Informationen siehe: DS 09 73 110 00 01
 recommended configuration of plated through holes and further information see: DS 09 73 110 00 01

09 73 196 6985	2
Bestell-Nr. part-no.	Anforderungsstufe performance level 1

	All Dimensions in mm Original Size DIN A3	Scale 1:1	Free size tol. IEC 60603-2	Ref. Sub. TB 0973196x985 Mod. 35548 22.07.09	
	All rights reserved Department EC PD - DE	Created by LEHNERT	Inspected by DAHMS	Standardisation HOFFMANN	Date 2012-12-05
HARTING Electronics GmbH D-32339 Espelkamp		Title DIN Signal type R male press-in 13.0			State Final Release
		Type TB	Number 0973196X985		Doc-Key / ECH-Nr. 100188053/UGD/184/B 50000057284
				Rev. B	Page 1/1