



Chipsmall Limited consists of a professional team with an average of over 10 year of expertise in the distribution of electronic components. Based in Hongkong, we have already established firm and mutual-benefit business relationships with customers from,Europe,America and south Asia,supplying obsolete and hard-to-find components to meet their specific needs.

With the principle of “Quality Parts,Customers Priority,Honest Operation,and Considerate Service”,our business mainly focus on the distribution of electronic components. Line cards we deal with include Microchip,ALPS,ROHM,Xilinx,Pulse,ON,Everlight and Freescale. Main products comprise IC,Modules,Potentiometer,IC Socket,Relay,Connector.Our parts cover such applications as commercial,industrial, and automotives areas.

We are looking forward to setting up business relationship with you and hope to provide you with the best service and solution. Let us make a better world for our industry!



Contact us

Tel: +86-755-8981 8866 Fax: +86-755-8427 6832

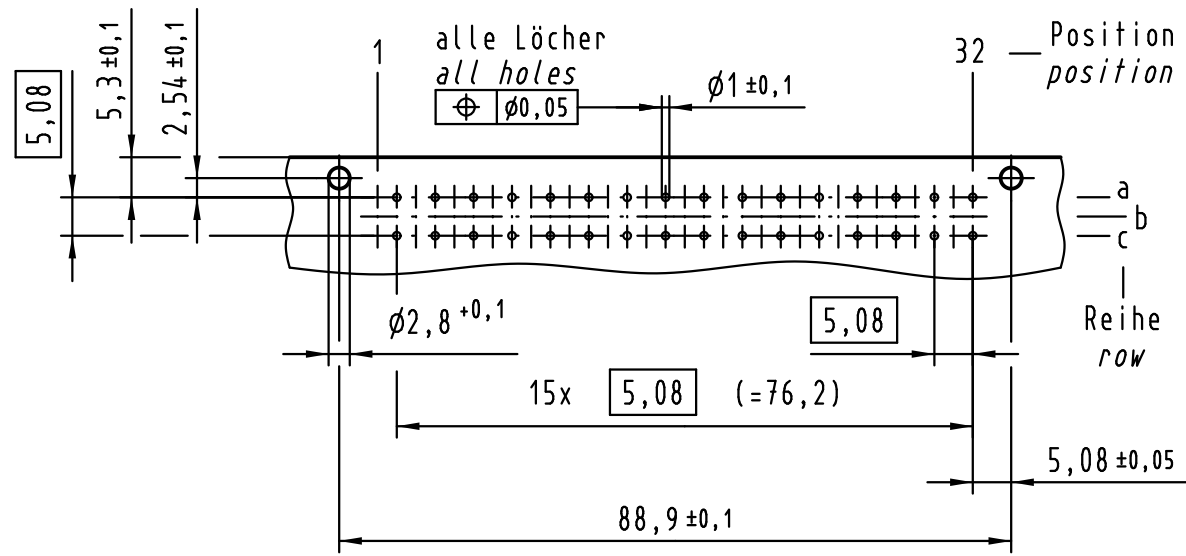
Email & Skype: info@chipsmall.com Web: www.chipsmall.com

Address: A1208, Overseas Decoration Building, #122 Zhenhua RD., Futian, Shenzhen, China

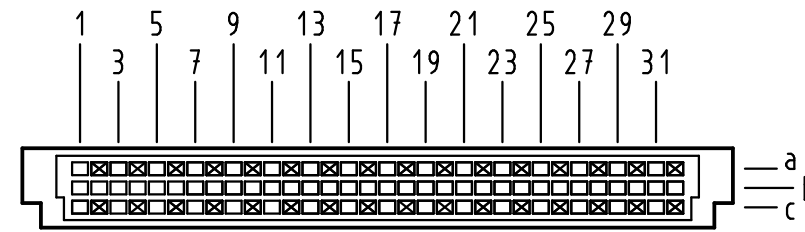


Alle Rechte vorbehalten/ All rights reserved

X
Lochbild
board drillings



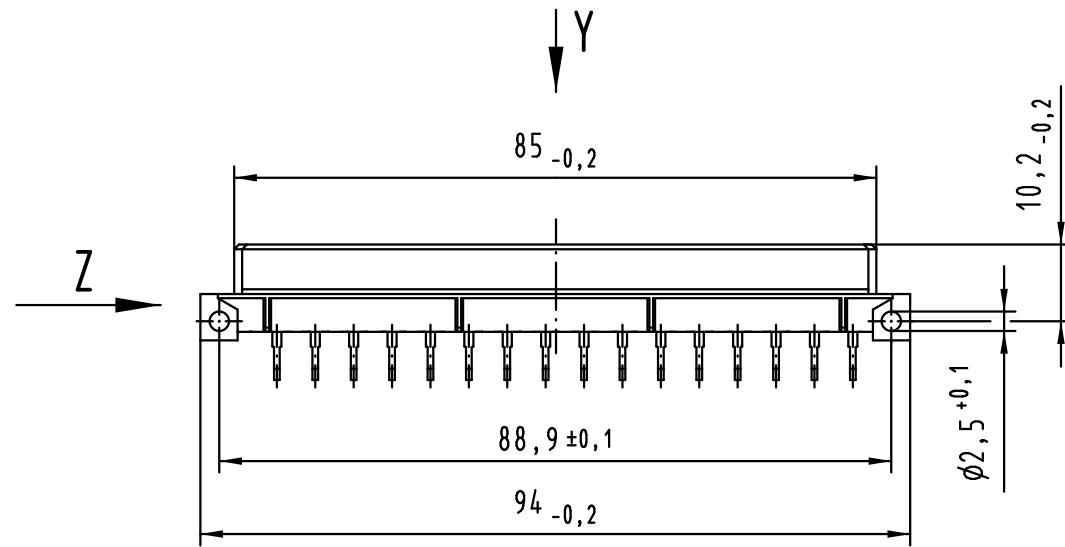
Y
Kontaktanordnung
contact arrangement



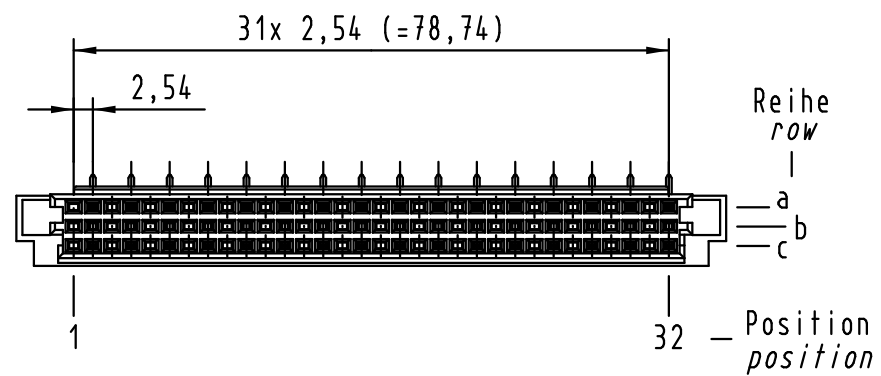
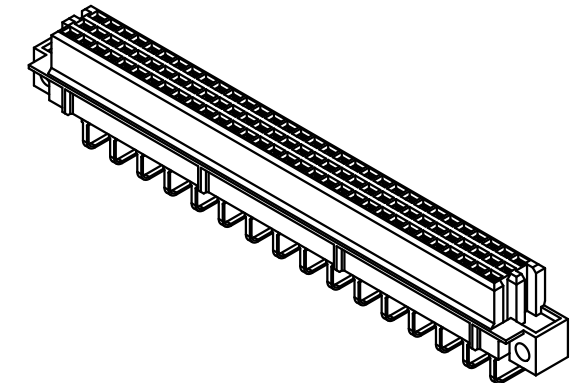
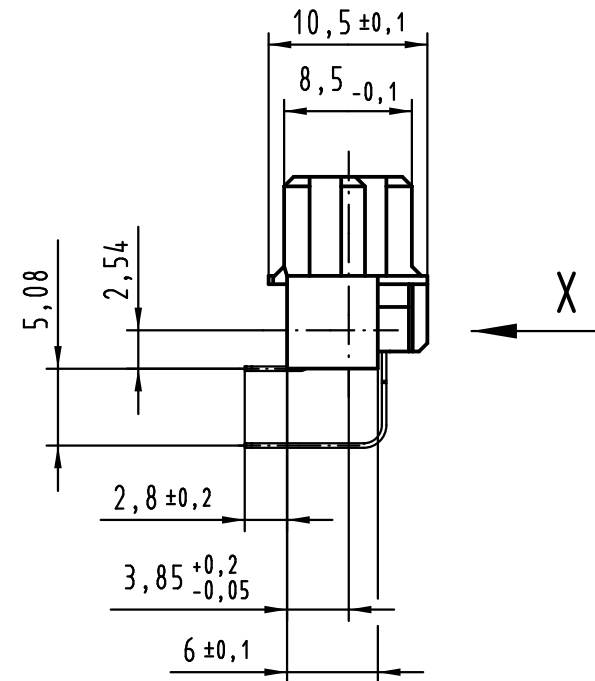
32 Signal Kontakte
32 signal contacts

⊗ = Kontaktposition belegt
= position with contact

□ = Kontaktposition nicht belegt
= position without contact



Z (2:1)



① weitere Informationen siehe: DS 09 73 220 02 01
further information see: DS 09 73 220 02 01

09 73 232 7801	3
09 73 232 6801	2
09 73 232 2801	1
Bestell-Nr. part-no.	Anforderungsstufe performance level ①

All Dimensions in mm Original Size DIN A 3			Techn. Character.			
Mod.	Dat.	Name	Detail.	Insp.	Stand.	Maßstab/Scale
36420	03.08.11	Hage.				1:1
34038	19.03.07	LehT	07.09.99	Rie.		
31033	03.06.02	Rie.	07.09.99	Pa.		
27553	01.02.00	Rie.				
26920	12.11.99	Rie.				
26081			HARTING Electronics GmbH & Co. KG D-32339 ESPELKAMP			HARTING

Nicht tolerierte Maße/Free size tolerances IEC 60603-2	
har-bus R Federleiste Einlöt, 32-polig har-bus R female connector solder, 32-pole	
TB 09 73 232 x801	Blatt/page
Sub.	