



Chipsmall Limited consists of a professional team with an average of over 10 year of expertise in the distribution of electronic components. Based in Hongkong, we have already established firm and mutual-benefit business relationships with customers from,Europe,America and south Asia,supplying obsolete and hard-to-find components to meet their specific needs.

With the principle of "Quality Parts,Customers Priority,Honest Operation,and Considerate Service",our business mainly focus on the distribution of electronic components. Line cards we deal with include Microchip,ALPS,ROHM,Xilinx,Pulse,ON,Everlight and Freescale. Main products comprise IC,Modules,Potentiometer,IC Socket,Relay,Connector.Our parts cover such applications as commercial,industrial, and automotives areas.

We are looking forward to setting up business relationship with you and hope to provide you with the best service and solution. Let us make a better world for our industry!



## Contact us

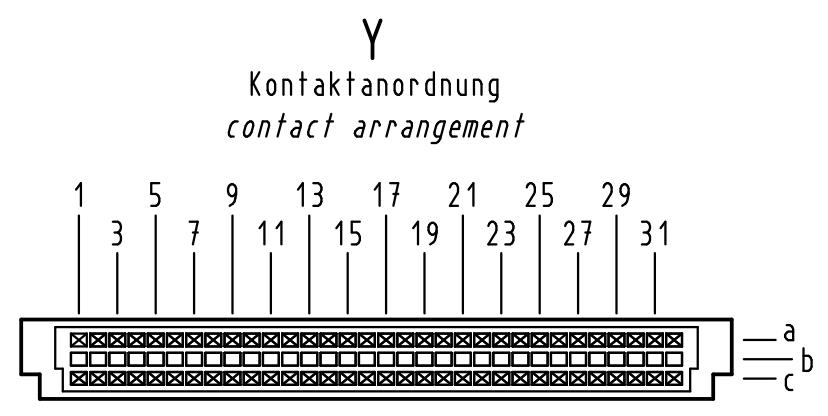
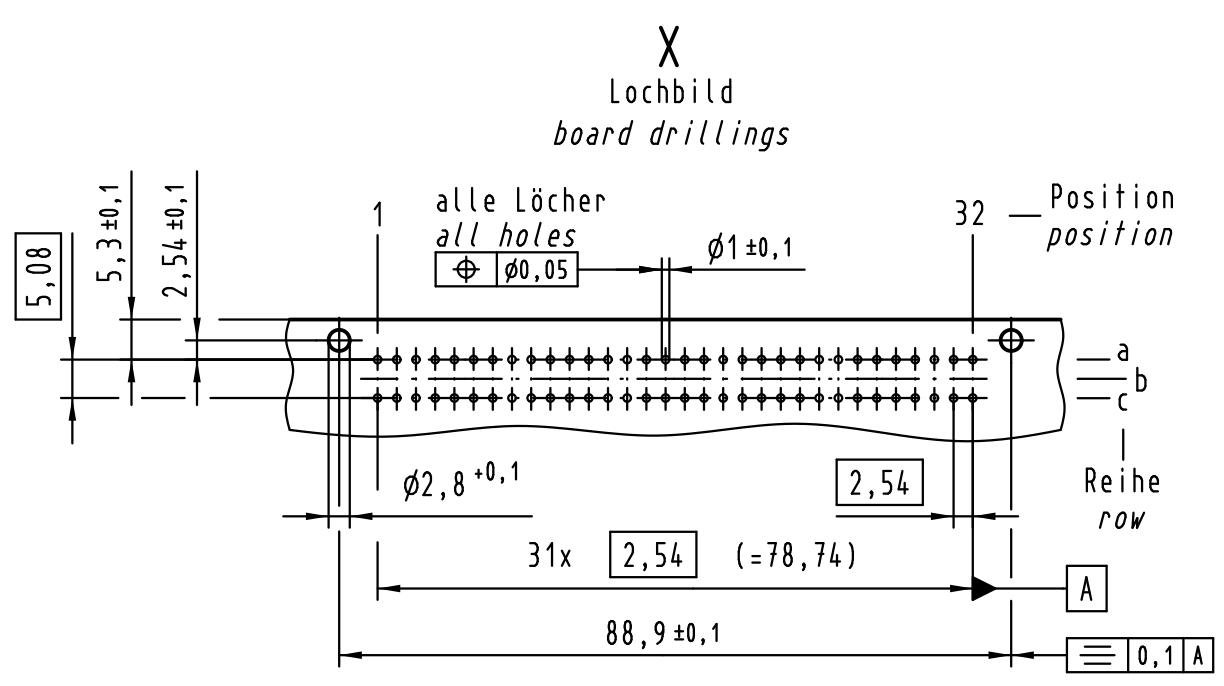
Tel: +86-755-8981 8866 Fax: +86-755-8427 6832

Email & Skype: info@chipsmall.com Web: www.chipsmall.com

Address: A1208, Overseas Decoration Building, #122 Zhenhua RD., Futian, Shenzhen, China



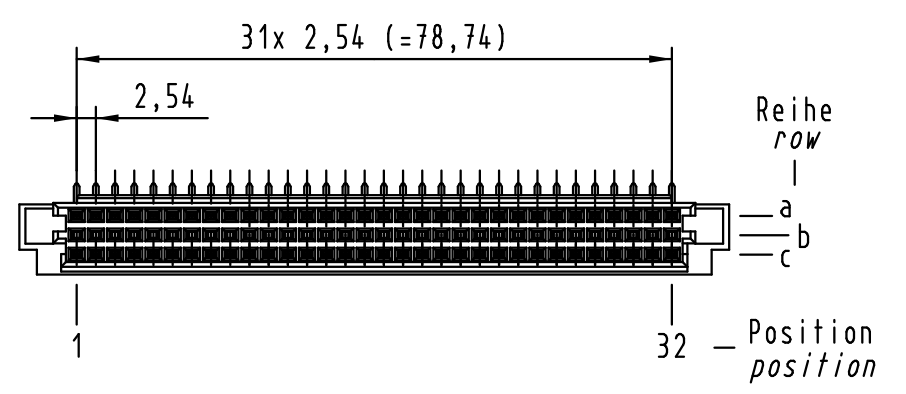
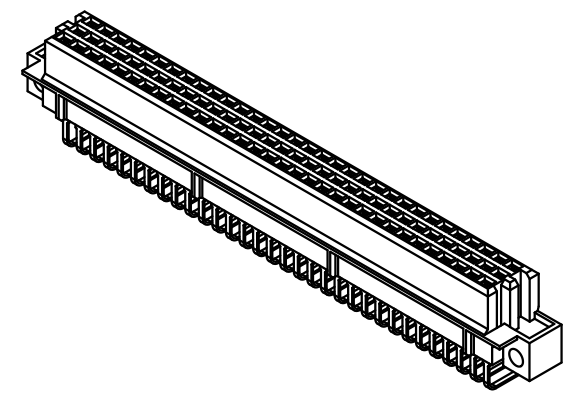
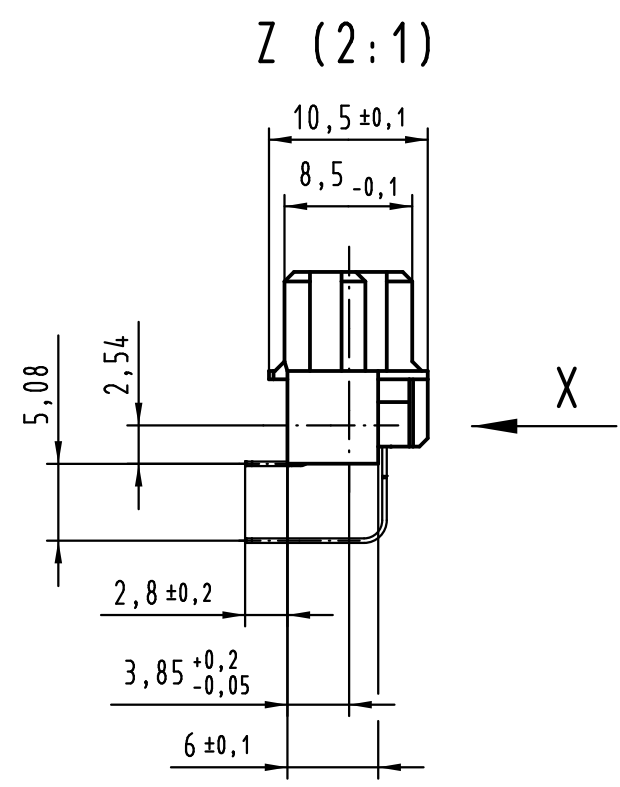
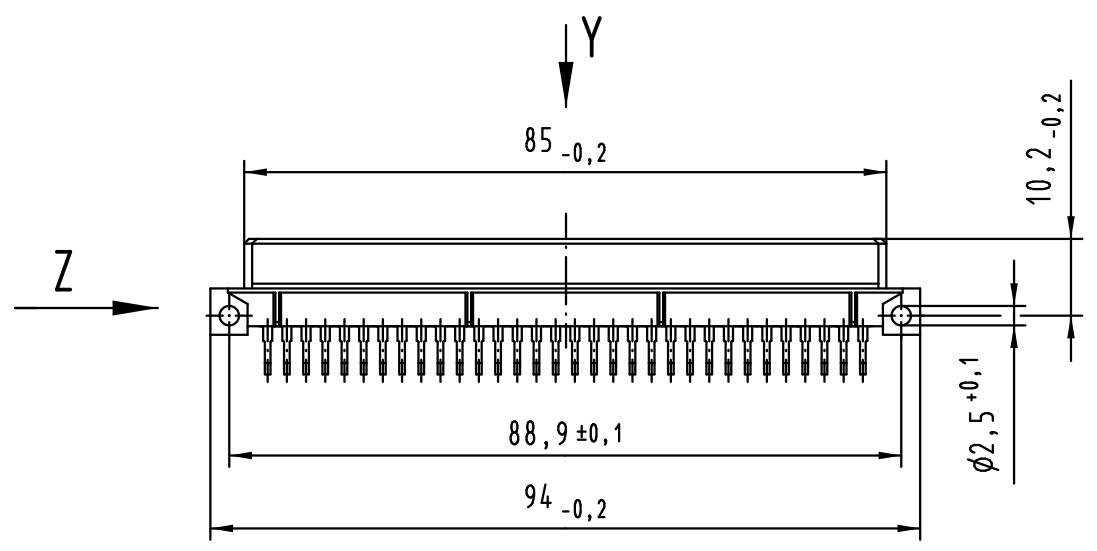
Alle Rechte vorbehalten/ All rights reserved



64 Signal Kontakte  
64 signal contacts

☒ = Kontaktposition belegt  
= position with contact

☐ = Kontaktposition nicht belegt  
= position without contact



① weitere Informationen siehe: DS 09 73 220 02 01  
further information see: DS 09 73 220 02 01

09 73 264 7801	3
09 73 264 6801	2
09 73 264 2801	1
Bestell-Nr. part-no.	Anforderungsstufe performance level ①

All Dimensions in mm Original Size DIN A 3			Techn. Character.			Maßstab/Scale 1:1
Mod.	Dat.	Name	Detail.	Insp.	Stand.	
36420	16.08.11	Hage.				HARTING D-32339 ESPELKAMP
34038	19.03.07	LehT	17.08.98	Hm		
31100	12.06.02	Rie.	17.08.98	Ko		
27553	02.02.00	Rie.				
26081	07.09.99	Rie.				
25069	15.10.98	Hm				

Nicht tolerierte Maß/Free size tolerances  
IEC 60603-2

har-bus R Federleiste  
Einlöt, 64-polig  
har-bus R female connector  
solder, 64-pole

TB 09 73 264 x801

Blatt/page