



Chipsmall Limited consists of a professional team with an average of over 10 year of expertise in the distribution of electronic components. Based in Hongkong, we have already established firm and mutual-benefit business relationships with customers from,Europe,America and south Asia,supplying obsolete and hard-to-find components to meet their specific needs.

With the principle of “Quality Parts,Customers Priority,Honest Operation,and Considerate Service”,our business mainly focus on the distribution of electronic components. Line cards we deal with include Microchip,ALPS,ROHM,Xilinx,Pulse,ON,Everlight and Freescale. Main products comprise IC,Modules,Potentiometer,IC Socket,Relay,Connector.Our parts cover such applications as commercial,industrial, and automotives areas.

We are looking forward to setting up business relationship with you and hope to provide you with the best service and solution. Let us make a better world for our industry!



Contact us

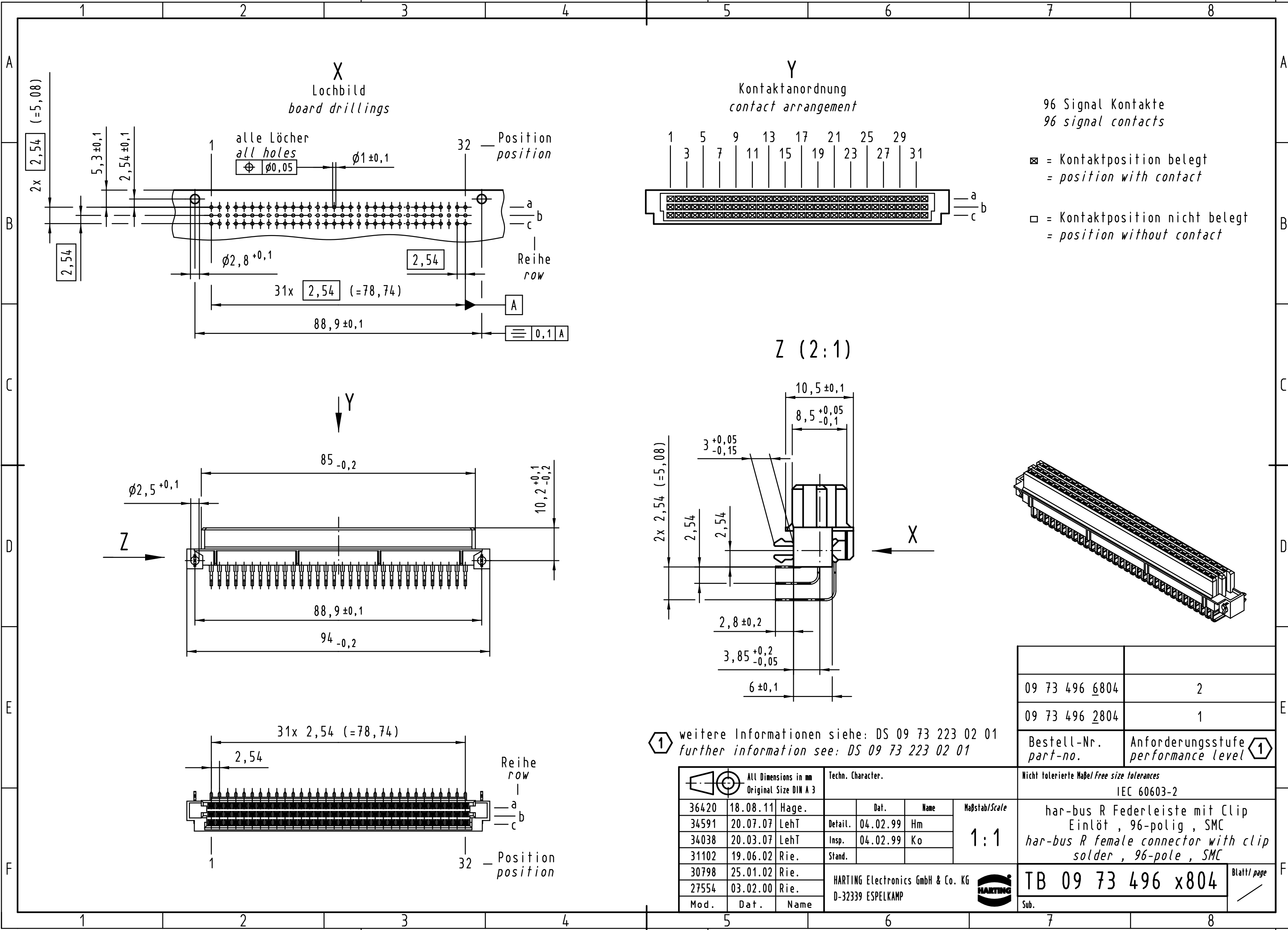
Tel: +86-755-8981 8866 Fax: +86-755-8427 6832

Email & Skype: info@chipsmall.com Web: www.chipsmall.com

Address: A1208, Overseas Decoration Building, #122 Zhenhua RD., Futian, Shenzhen, China



Alle Rechte vorbehalten/ All rights reserved



96 Signal Kontakte
96 signal contacts

☒ = Kontaktposition belegt
= position with contact

□ = Kontaktposition nicht belegt
= position without contact

① weitere Informationen siehe: DS 09 73 223 02 01
further information see: DS 09 73 223 02 01

09 73 496 6804	2
09 73 496 2804	1
Bestell-Nr. part-no.	Anforderungsstufe performance level ①

All Dimensions in mm Original Size DIN A 3			Techn. Character.			Nicht tolerierte Maßel/Free size tolerances IEC 60603-2	
36420	18.08.11	Hage.		Dat.	Name	1:1	har-bus R Federleiste mit Clip Einlöt, 96-polig, SMC har-bus R female connector with clip solder, 96-pole, SMC
34591	20.07.07	LehT	Detail.	04.02.99	Hm		
34038	20.03.07	LehT	Insp.	04.02.99	Ko		
31102	19.06.02	Rie.	Stand.				
30798	25.01.02	Rie.					
27554	03.02.00	Rie.	HARTING Electronics GmbH & Co. KG D-32339 ESPELKAMP				TB 09 73 496 x804
Mod.	Dat.	Name					

Blatt/ page