



Chipsmall Limited consists of a professional team with an average of over 10 year of expertise in the distribution of electronic components. Based in Hongkong, we have already established firm and mutual-benefit business relationships with customers from,Europe,America and south Asia,supplying obsolete and hard-to-find components to meet their specific needs.

With the principle of “Quality Parts,Customers Priority,Honest Operation,and Considerate Service”,our business mainly focus on the distribution of electronic components. Line cards we deal with include Microchip,ALPS,ROHM,Xilinx,Pulse,ON,Everlight and Freescale. Main products comprise IC,Modules,Potentiometer,IC Socket,Relay,Connector.Our parts cover such applications as commercial,industrial, and automotives areas.

We are looking forward to setting up business relationship with you and hope to provide you with the best service and solution. Let us make a better world for our industry!



Contact us

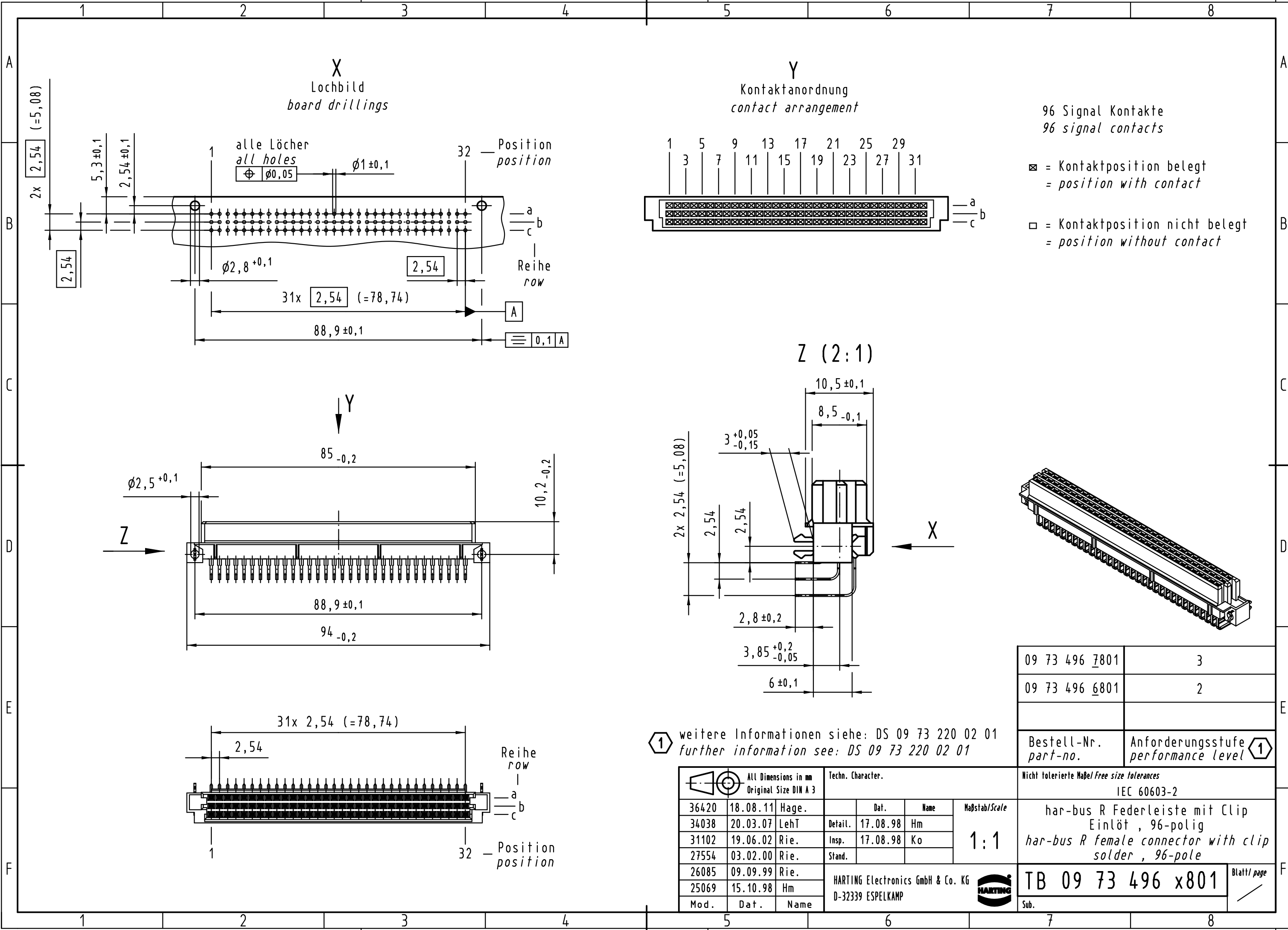
Tel: +86-755-8981 8866 Fax: +86-755-8427 6832

Email & Skype: info@chipsmall.com Web: www.chipsmall.com

Address: A1208, Overseas Decoration Building, #122 Zhenhua RD., Futian, Shenzhen, China



Alle Rechte vorbehalten/ All rights reserved



X
Lochbild
board drillings

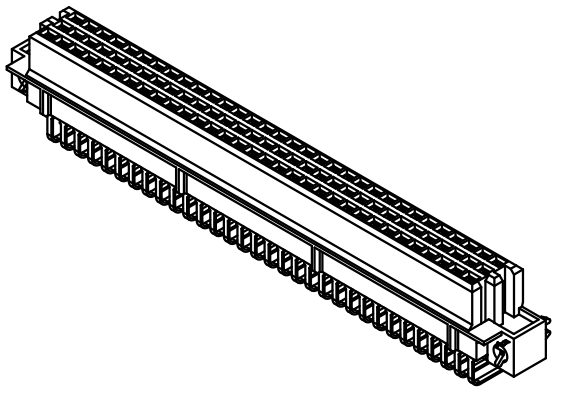
Y
Kontaktanordnung
contact arrangement

96 Signal Kontakte
96 signal contacts

☒ = Kontaktposition belegt
= position with contact

☐ = Kontaktposition nicht belegt
= position without contact

Z (2:1)



09 73 496 7801	3
09 73 496 6801	2
Bestell-Nr. part-no.	Anforderungsstufe performance level 1

1 weitere Informationen siehe: DS 09 73 220 02 01
further information see: DS 09 73 220 02 01

All Dimensions in mm Original Size DIN A 3			Techn. Character.			Nicht tolerierte Maß/Free size tolerances IEC 60603-2	
36420	18.08.11	Hage.		Dat.	Name	1:1	har-bus R Federleiste mit Clip Einlöt, 96-polig har-bus R female connector with clip solder, 96-pole
34038	20.03.07	LehT	Detail.	17.08.98	Hm		
31102	19.06.02	Rie.	Insp.	17.08.98	Ko		
27554	03.02.00	Rie.	Stand.				
26085	09.09.99	Rie.					
25069	15.10.98	Hm	HARTING Electronics GmbH & Co. KG D-32339 ESPELKAMP			TB 09 73 496 x801	Blatt/page
Mod.	Dat.	Name					

