



Chipsmall Limited consists of a professional team with an average of over 10 year of expertise in the distribution of electronic components. Based in Hongkong, we have already established firm and mutual-benefit business relationships with customers from,Europe,America and south Asia,supplying obsolete and hard-to-find components to meet their specific needs.

With the principle of “Quality Parts,Customers Priority,Honest Operation,and Considerate Service”,our business mainly focus on the distribution of electronic components. Line cards we deal with include Microchip,ALPS,ROHM,Xilinx,Pulse,ON,Everlight and Freescale. Main products comprise IC,Modules,Potentiometer,IC Socket,Relay,Connector.Our parts cover such applications as commercial,industrial, and automotives areas.

We are looking forward to setting up business relationship with you and hope to provide you with the best service and solution. Let us make a better world for our industry!



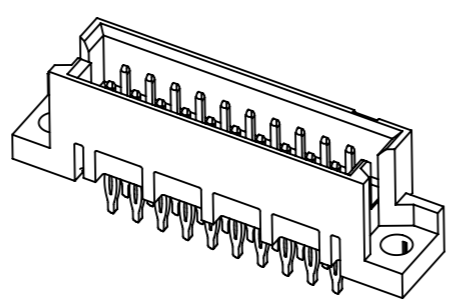
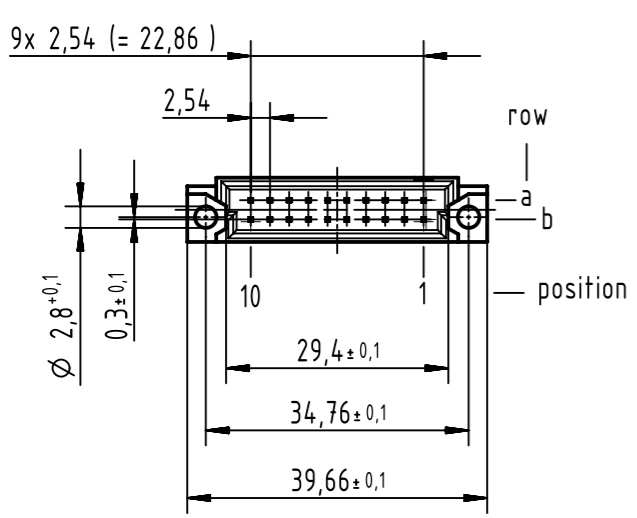
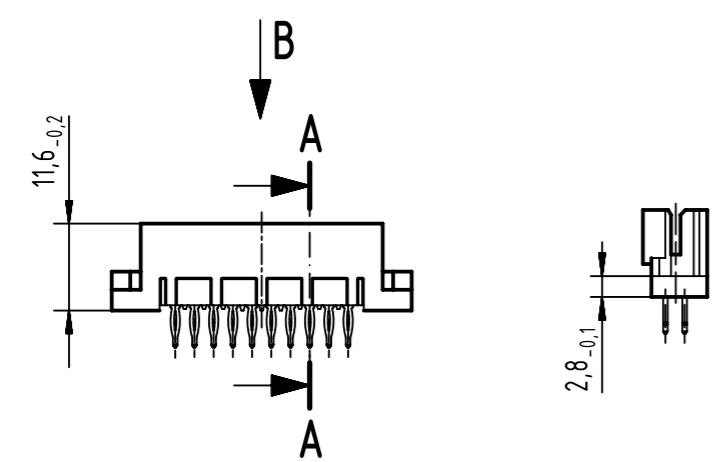
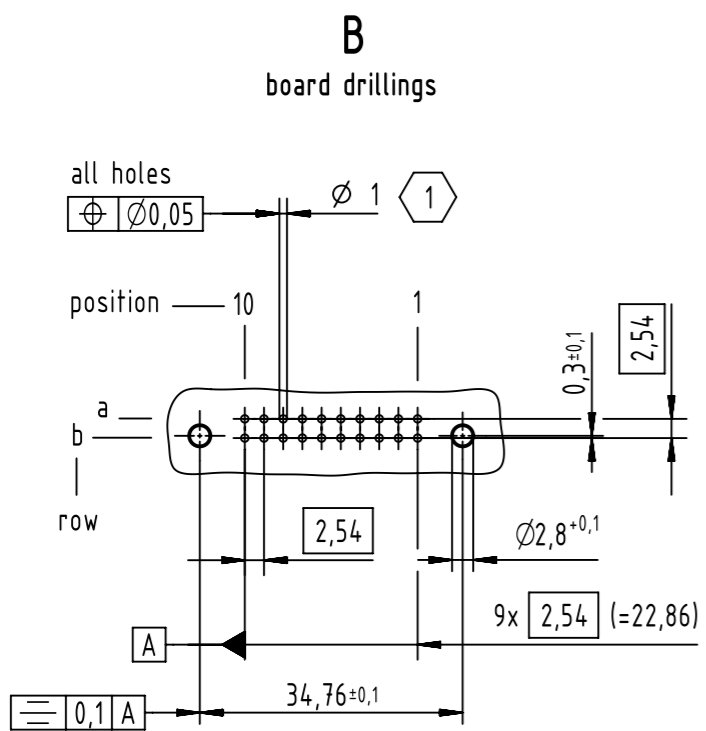
Contact us

Tel: +86-755-8981 8866 Fax: +86-755-8427 6832

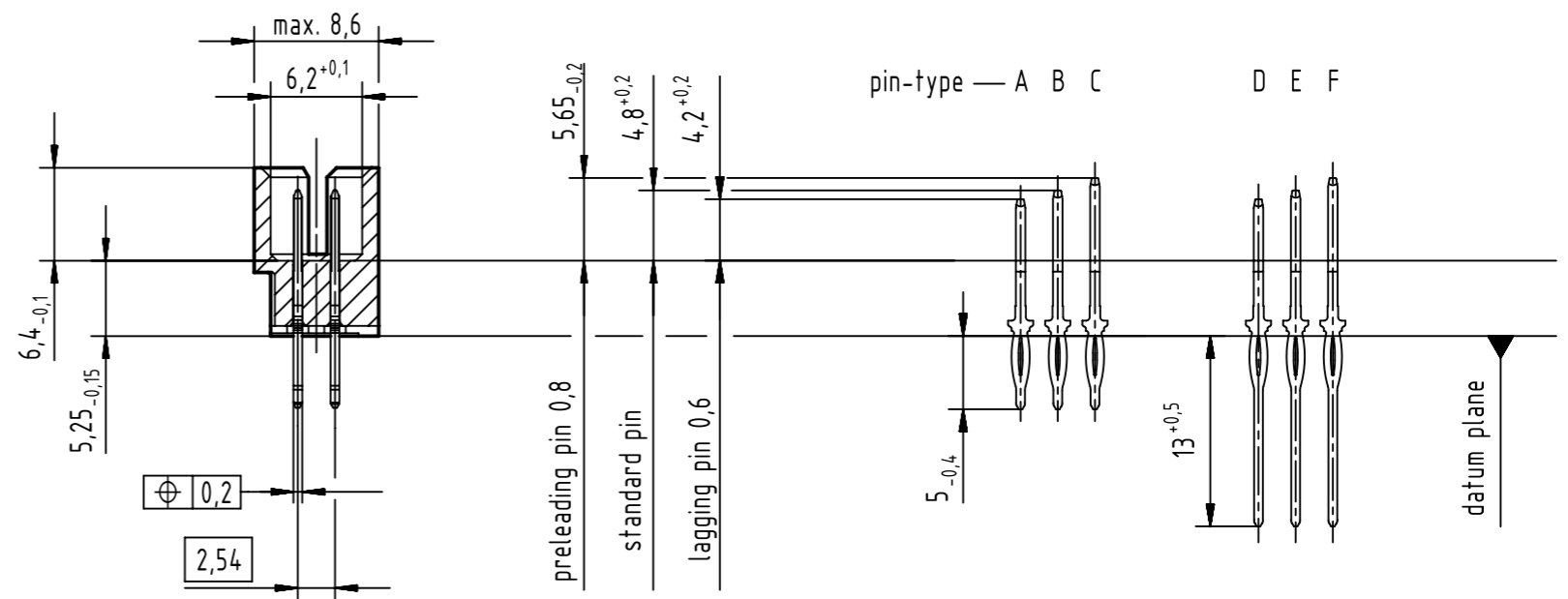
Email & Skype: info@chipsmall.com Web: www.chipsmall.com

Address: A1208, Overseas Decoration Building, #122 Zhenhua RD., Futian, Shenzhen, China



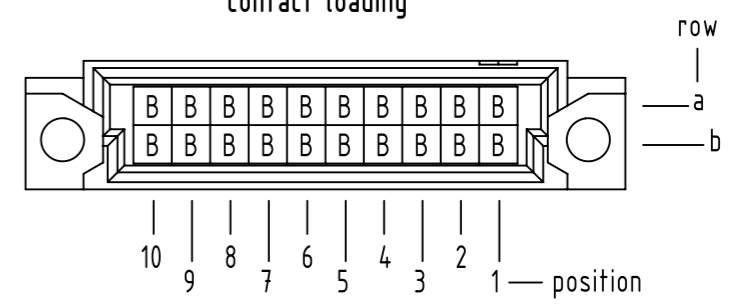


A-A (2:1)



B (2:1)

contact loading



1 recommended configuration of plated through holes and further information see: DS 09731100001

09751206904	2
part no.	performance level 1

<p>All rights reserved Department EC PD - DE</p>	<p>All Dimensions in mm Original Size DIN A3</p>	<p>Scale 1:1</p>	<p>Free size tol. complementary IEC 60603-2</p>	<p>Ref. Sub.</p>
	<p>Created by HASELOH</p>	<p>Inspected by JASCHKE</p>	<p>Standardisation HOFFMANN</p>	<p>Date 2013-11-22</p>
<p>HARTING Electronics GmbH D-32339 Espelkamp</p>	<p>Title DIN Signal type 30 male press-in 5mm 20-pole</p>	<p>Type TB</p>	<p>Number 0975120X904</p>	<p>Doc-Key / ECM-Nr. 100223825/UGD/001/A 50000068802</p>
				<p>Rev. A Page 1/1</p>