



Chipsmall Limited consists of a professional team with an average of over 10 year of expertise in the distribution of electronic components. Based in Hongkong, we have already established firm and mutual-benefit business relationships with customers from,Europe,America and south Asia,supplying obsolete and hard-to-find components to meet their specific needs.

With the principle of “Quality Parts,Customers Priority,Honest Operation,and Considerate Service”,our business mainly focus on the distribution of electronic components. Line cards we deal with include Microchip,ALPS,ROHM,Xilinx,Pulse,ON,Everlight and Freescale. Main products comprise IC,Modules,Potentiometer,IC Socket,Relay,Connector.Our parts cover such applications as commercial,industrial, and automotives areas.

We are looking forward to setting up business relationship with you and hope to provide you with the best service and solution. Let us make a better world for our industry!



## Contact us

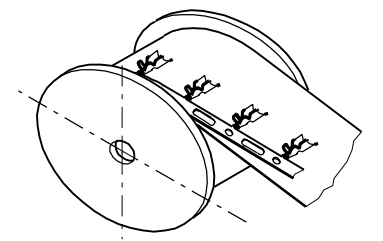
Tel: +86-755-8981 8866 Fax: +86-755-8427 6832

Email & Skype: info@chipsmall.com Web: www.chipsmall.com

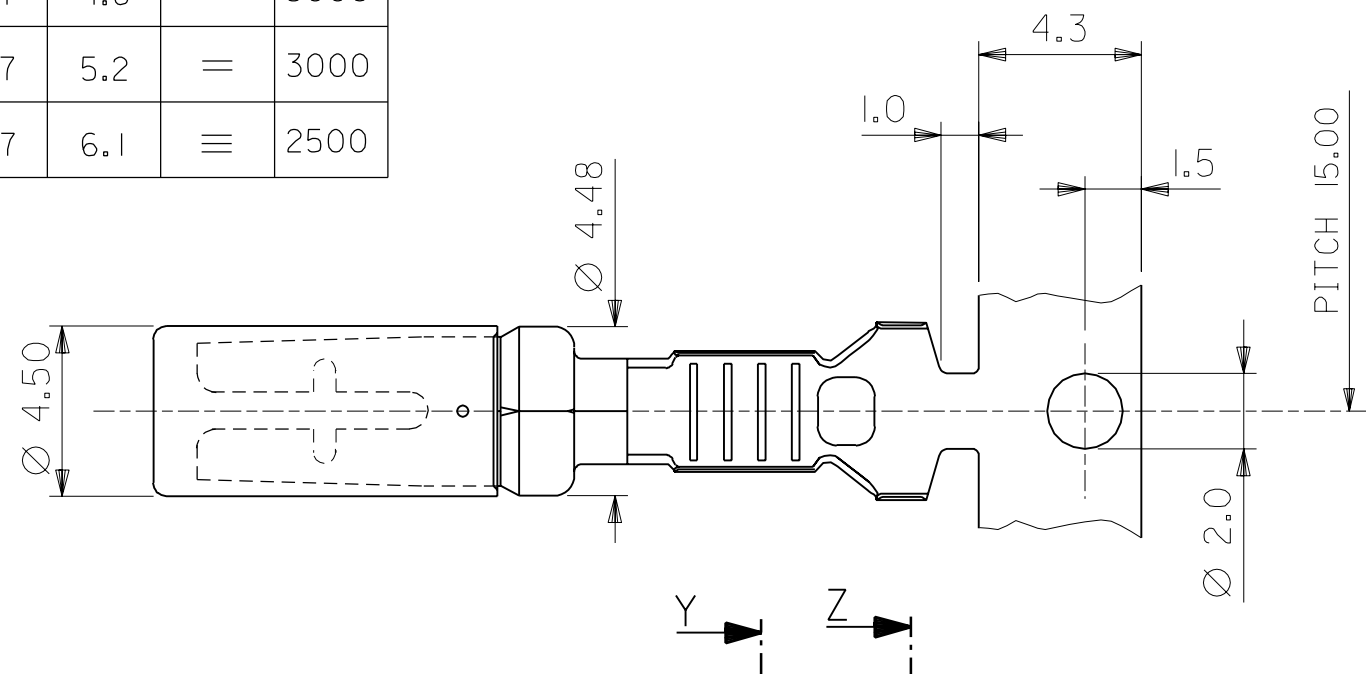
Address: A1208, Overseas Decoration Building, #122 Zhenhua RD., Futian, Shenzhen, China



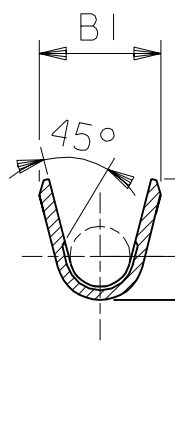
PART NO.	WIRE		B1	H1	B2	H2	M	PARTS PER REEL
	SQ mm <sup>2</sup>	INS. Ø mm						
98012-1102	0.5-1.0	1.4-3.3	3.2	3.2	4.7	4.6	—	3000
98012-1202	1.5-2.5	2.1-4.2	4.1	3.8	5.7	5.2	=	3000
98012-1302	2.5-4.0	2.6-4.9	4.4	4.5	6.7	6.1	≡	2500



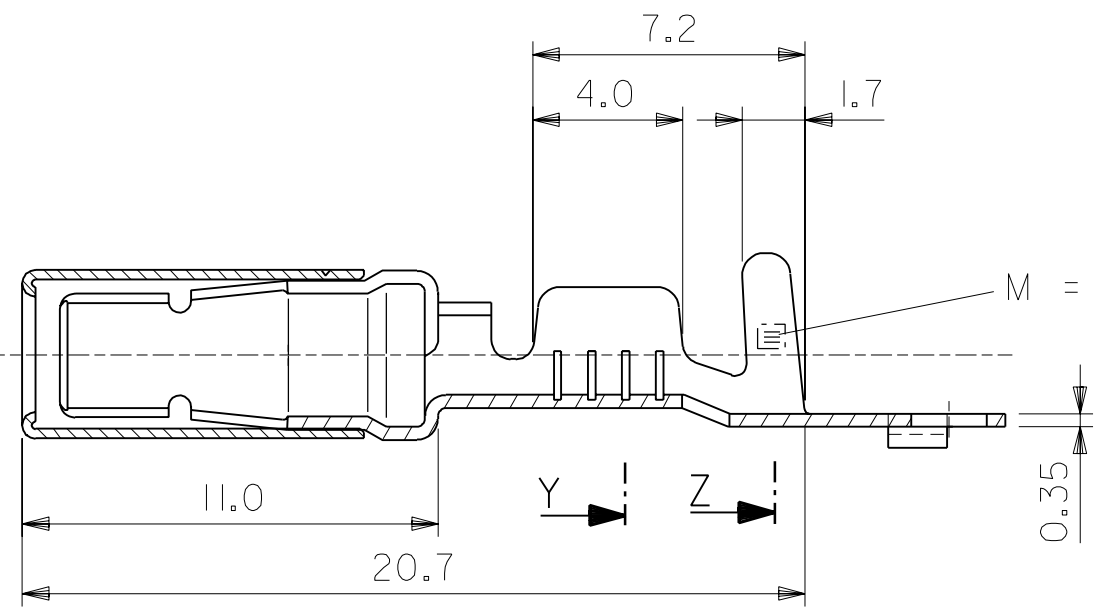
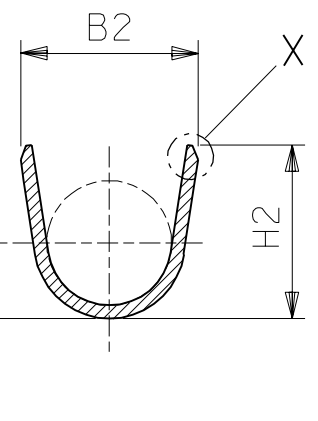
NORMAL FINISHED PARTS



SECTION Y-Y  
SCHNITT Y-Y



SECTION Z-Z  
SCHNITT Z-Z



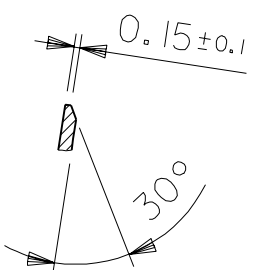
M = MARKING OUTSIDE

MATERIAL

BODY: PHOSPHOR BRONZE  
KOERPER: KUPFER-ZINN-LEGIERUNG

SLEEVE: BRASS  
BUCHSE: MESSING

DETAIL X  
EINZELHEIT X



FOR PREVIOUS  
DRAWING ISSUES  
SEE "EDIS"

ECN MXG 1281	17.02.94	H. DIETZ	REVISIONS
E	LTR		

THIRD ANGLE PROJECTION		DRWG BY	HD
DIMENSIONS SHOWN ( METRIC ) INCH		CHK'D BY	SCH
UNLESS OTHERWISE SPECIFIED TOLERANCES: ANGULAR ±		APP'D BY	APO
3 PLACE ±	±	SCALE	5:1
2 PLACE ±	± 0.15		
1 PLACE ±	± 0.30		
DRAFT WHERE APPLICABLE MUST REMAIN WITHIN DIMENSIONS			
DESIGN DIMENSION (PRIMARY)	<input checked="" type="checkbox"/> (MM) <input type="checkbox"/> IN.		
EQUIVALENT DIMENSION (SECONDARY)	<input type="checkbox"/> (MM) <input type="checkbox"/> IN.		

REVISE ONLY ON CAD SYSTEM		SH.	REV.
CADCAM FILENAME	SD98012 DGN	THIS DRAWING CONTAINS INFORMATION THAT IS PROPRIETARY TO MOLEX INC. & SHOULD NOT BE USED WITHOUT WRITTEN PERMISSION	
TITLE			
FEMALE TERMINAL 2.8mm			
MOLEX MOLEX EUROPE		SHEET NO.	DATE
SEE TABLE		1 / 1	21 / 10 / 91
PART NO.	DWG NO.	SIZE	
SEE TABLE	SD-98012	B	