



Chipsmall Limited consists of a professional team with an average of over 10 year of expertise in the distribution of electronic components. Based in Hongkong, we have already established firm and mutual-benefit business relationships with customers from,Europe,America and south Asia,supplying obsolete and hard-to-find components to meet their specific needs.

With the principle of “Quality Parts,Customers Priority,Honest Operation,and Considerate Service”,our business mainly focus on the distribution of electronic components. Line cards we deal with include Microchip,ALPS,ROHM,Xilinx,Pulse,ON,Everlight and Freescale. Main products comprise IC,Modules,Potentiometer,IC Socket,Relay,Connector.Our parts cover such applications as commercial,industrial, and automotives areas.

We are looking forward to setting up business relationship with you and hope to provide you with the best service and solution. Let us make a better world for our industry!



Contact us

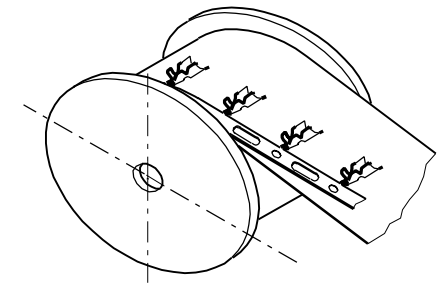
Tel: +86-755-8981 8866 Fax: +86-755-8427 6832

Email & Skype: info@chipsmall.com Web: www.chipsmall.com

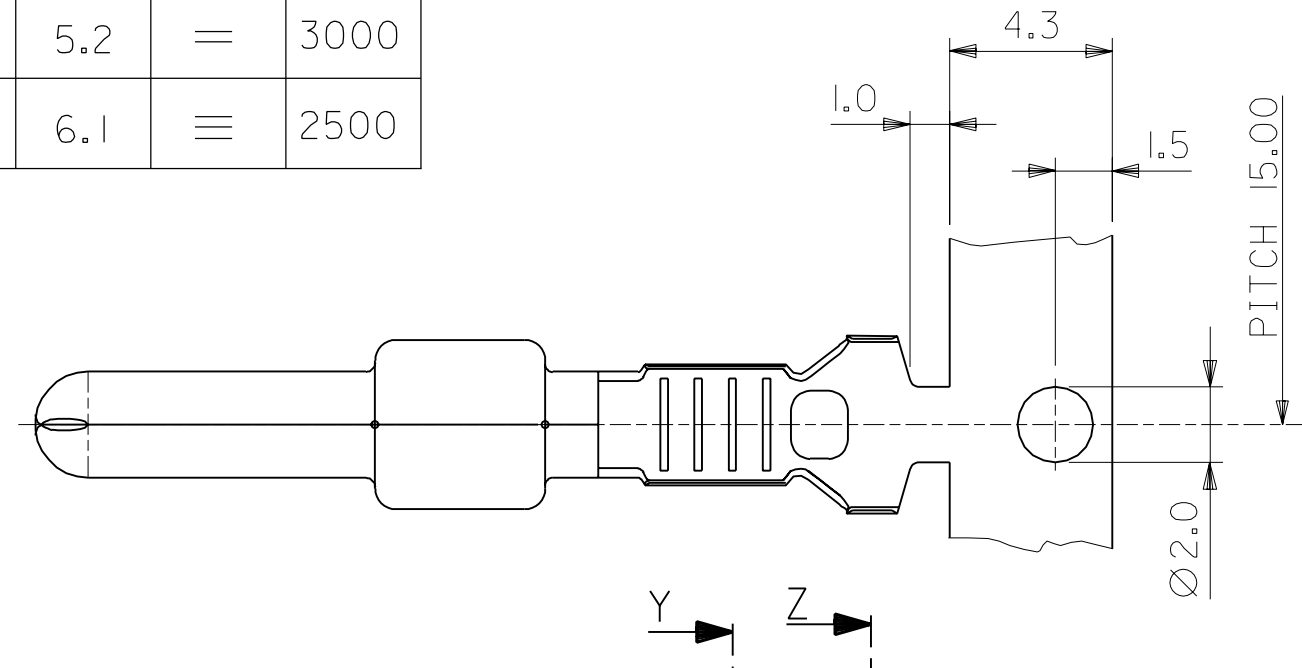
Address: A1208, Overseas Decoration Building, #122 Zhenhua RD., Futian, Shenzhen, China



PART NO.	WIRE		B1	H1	B2	H2	M	PARTS PER REEL
	SQ mm ²	INS. Ø mm						
98014-0100	0.5-1.0	1.4-3.3	3.2	3.2	4.7	4.6	—	3000
98014-0200	1.5-2.5	2.1-4.2	4.1	3.8	5.7	5.2	=	3000
98014-0300	2.5-4.0	2.6-4.9	4.4	4.5	6.7	6.1	≡	2500

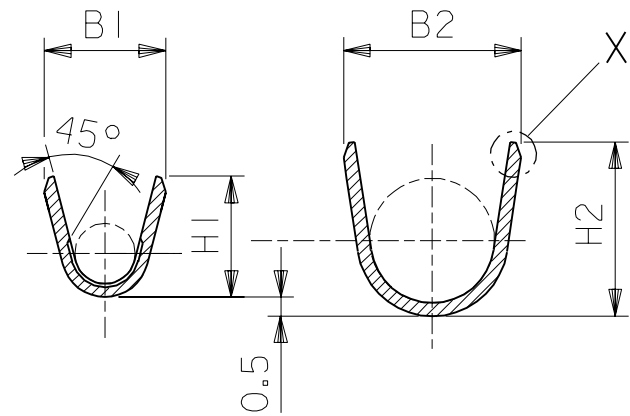


OFF TOP OF REEL

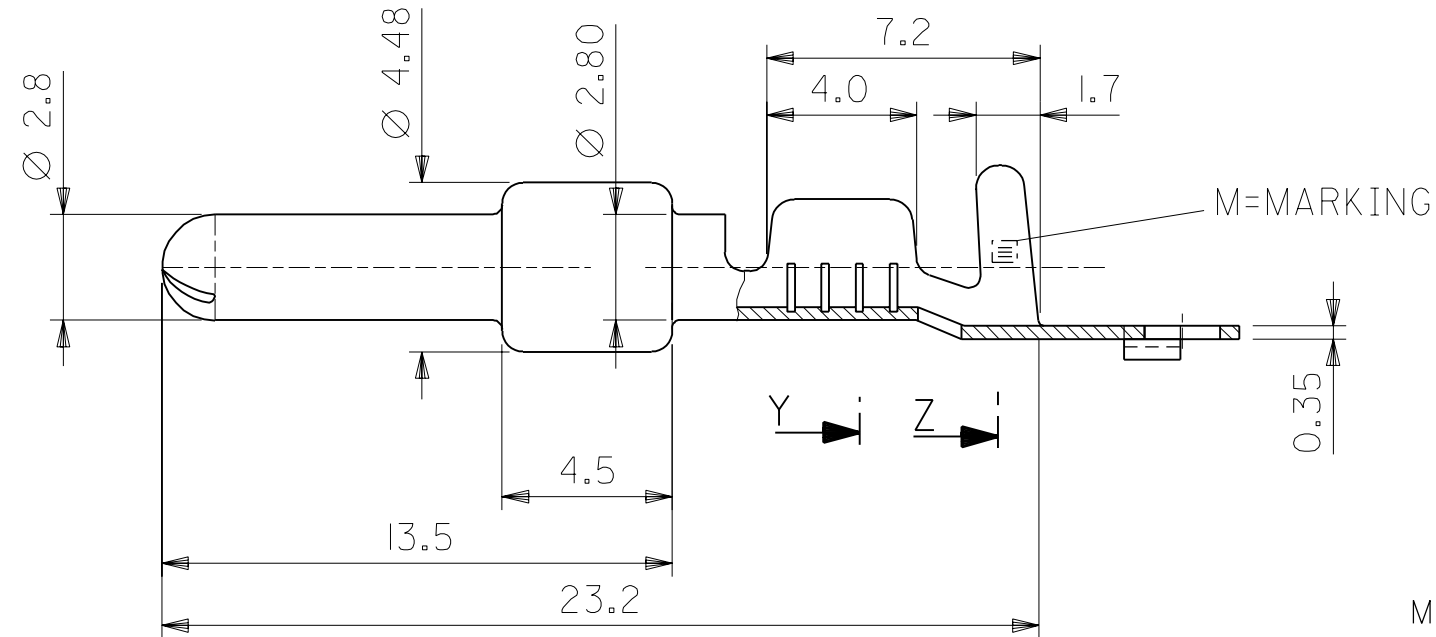
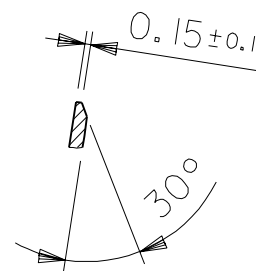


SECTION Y-Y
SCHNITT Y-Y

SECTION Z-Z
SCHNITT Z-Z



DETAIL X
EINZELHEIT X



MATERIAL: PRE TIN BRASS
MESSING VERZINNT

THIRD ANGLE PROJECTION		REVISE ONLY ON CAD SYSTEM		SH.	REV.
DIMENSIONS SHOWN (METRIC) INCH		DRWG BY	CADCAM FILENAME	THIS DRAWING CONTAINS INFORMATION THAT IS PROPRIETARY TO MOLEX INC. & SHOULD NOT BE USED WITHOUT WRITTEN PERMISSION	
UNLESS OTHERWISE SPECIFIED TOLERANCES: ANGULAR ±		LA	SD98014	TITLE	
INCH (METRIC)		CHK'D BY	DCN	MALE TERMINAL	
3 PLACE ±	±	SCH	2.8mm		
2 PLACE ±	± 0.15	APP'D BY	MOLEX EUROPE		
1 PLACE ±	± 0.30	APO	SHEET NO.	DATE	
DRAFT WHERE APPLICABLE MUST REMAIN WITHIN DIMENSIONS		SCALE	1 / 1	14 / 04 / 92	
DESIGN DIMENSION (PRIMARY)	<input checked="" type="checkbox"/> (MM) <input type="checkbox"/> IN.	5:1	PART NO.		SIZE
EQUIVALENT DIMENSION (SECONDARY)	<input type="checkbox"/> (MM) <input type="checkbox"/> IN.		SEE TABLE		B
FOR PREVIOUS DRAWING ISSUES SEE "EDIS"			DWG NO.		
ECN MXG 1281	17.02.94		SD-98014		
H. DIETZ	REVISIONS				
D	LTR				