



Chipsmall Limited consists of a professional team with an average of over 10 year of expertise in the distribution of electronic components. Based in Hongkong, we have already established firm and mutual-benefit business relationships with customers from,Europe,America and south Asia,supplying obsolete and hard-to-find components to meet their specific needs.

With the principle of “Quality Parts,Customers Priority,Honest Operation,and Considerate Service”,our business mainly focus on the distribution of electronic components. Line cards we deal with include Microchip,ALPS,ROHM,Xilinx,Pulse,ON,Everlight and Freescale. Main products comprise IC,Modules,Potentiometer,IC Socket,Relay,Connector.Our parts cover such applications as commercial,industrial, and automotives areas.

We are looking forward to setting up business relationship with you and hope to provide you with the best service and solution. Let us make a better world for our industry!



Contact us

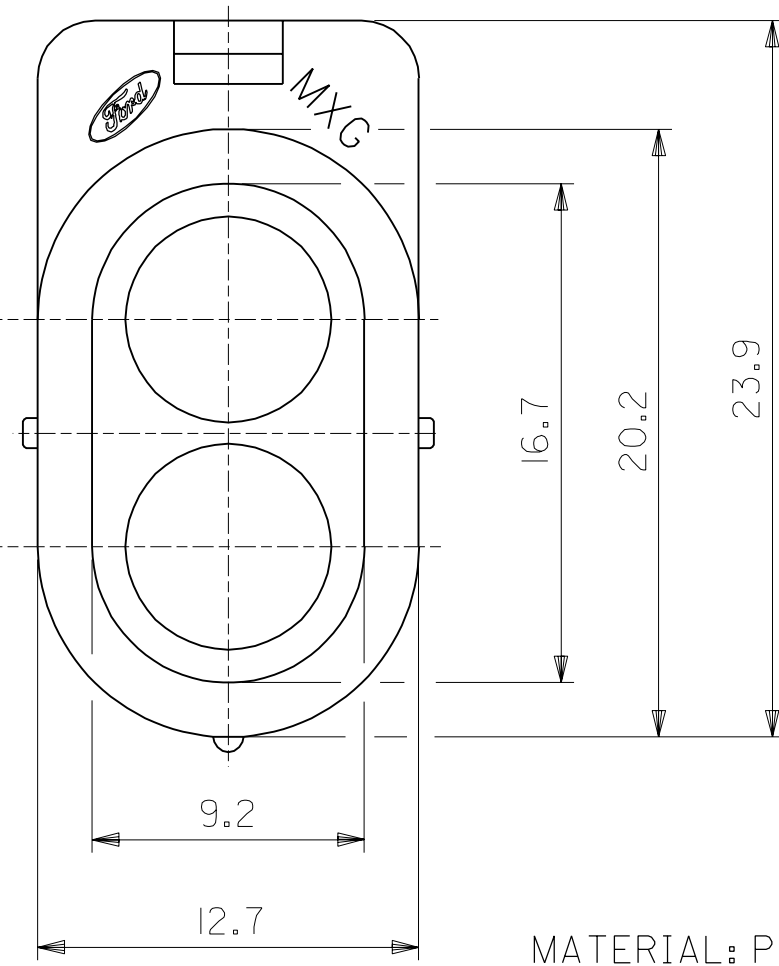
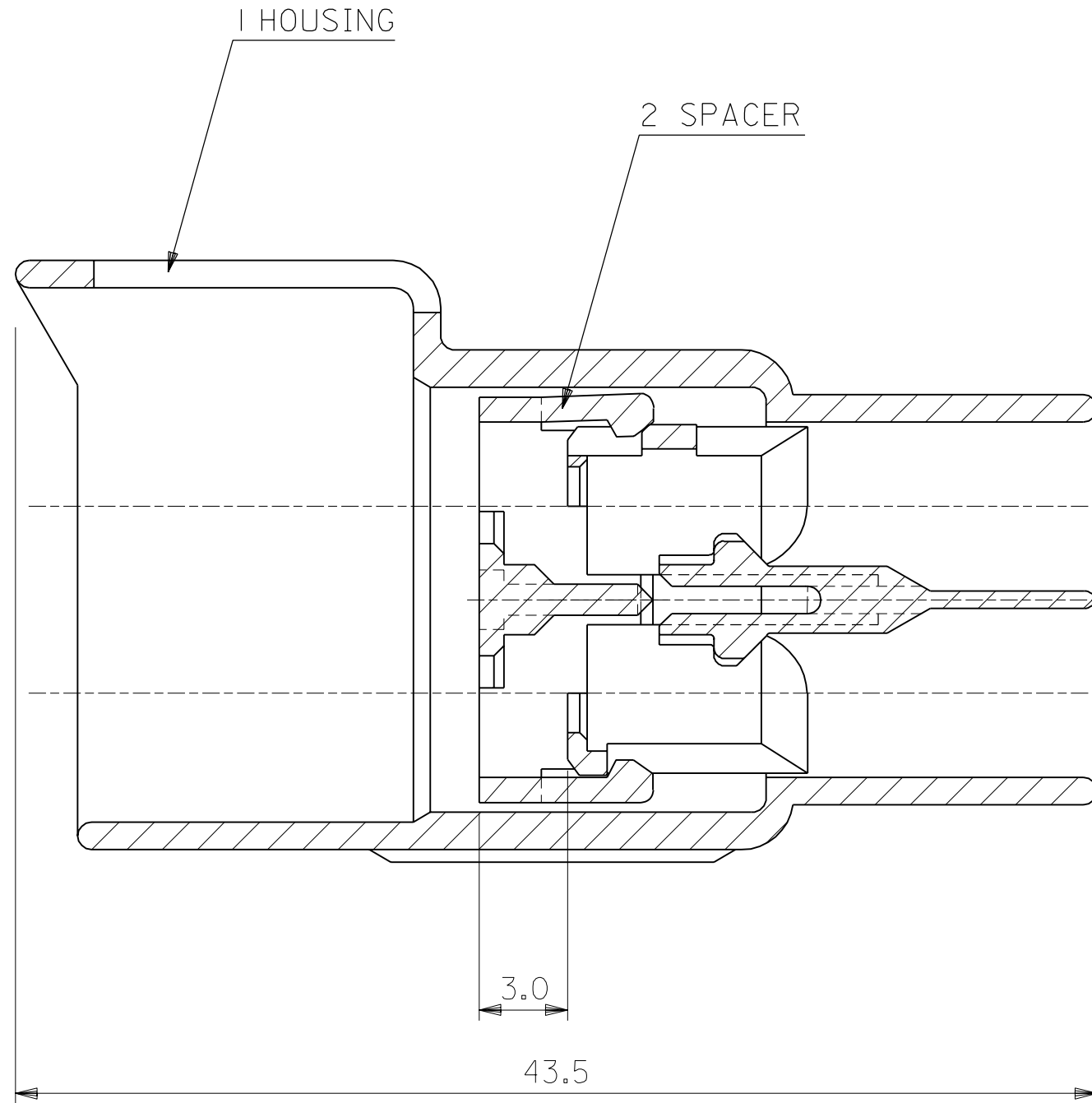
Tel: +86-755-8981 8866 Fax: +86-755-8427 6832

Email & Skype: info@chipsmall.com Web: www.chipsmall.com

Address: A1208, Overseas Decoration Building, #122 Zhenhua RD., Futian, Shenzhen, China



MOLEX NO.	COLOR	FARBE	RAL
98018-0001	BLACK	SCHWARZ	9005
98018-0002	BROWN	BRAUN	8017
98018-0003	BLUE	BLAU	5015
98018-0004	GREEN	GRUEN	6001
98018-0005	YELLOW	GELB	1018
98018-0006	GREY	GRAU	7035
98018-0007	ORANGE	ORANGE	1007
98018-0008	NATURAL	NATUR	-



MATERIAL: PBTP 30% GV

FOR PREVIOUS
DRAWING ISSUES
SEE "EDIS"

ECN MXG 1028
01.03.93
H. DIETZ
D LTR REVISIONS

DIMENSIONS SHOWN (METRIC) INCH		DRWG BY
UNLESS OTHERWISE SPECIFIED TOLERANCES: ANGULAR ±		DT
INCH (METRIC)		CHK'D BY
3 PLACE ±	±	ARE
2 PLACE ±	±	APP'D BY
1 PLACE ±	± 0.2	APO
DRAFT WHERE APPLICABLE MUST REMAIN WITHIN DIMENSIONS		SCALE
DESIGN DIMENSION (PRIMARY)	<input checked="" type="checkbox"/> (MM) <input type="checkbox"/> IN.	
EQUIVALENT DIMENSION (SECONDARY)	<input type="checkbox"/> (MM) <input type="checkbox"/> IN.	

REVISE ONLY ON CAD SYSTEM		SH.	REV.
CADCAM FILENAME SDA98018 DCN	THIS DRAWING CONTAINS INFORMATION THAT IS PROPRIETARY TO MOLEX INC. & SHOULD NOT BE USED WITHOUT WRITTEN PERMISSION		
TITLE 2-WAY HOUSING FOR MALE TERMINAL			
MOLEX MOLEX EUROPE		SHEET NO. 1 / 1	DATE 87 / 02 / 19
PART NO. SEE TABLE	DWG NO. SDA-98018	SIZE B	