



Chipsmall Limited consists of a professional team with an average of over 10 year of expertise in the distribution of electronic components. Based in Hongkong, we have already established firm and mutual-benefit business relationships with customers from,Europe,America and south Asia,supplying obsolete and hard-to-find components to meet their specific needs.

With the principle of “Quality Parts,Customers Priority,Honest Operation,and Considerate Service”,our business mainly focus on the distribution of electronic components. Line cards we deal with include Microchip,ALPS,ROHM,Xilinx,Pulse,ON,Everlight and Freescale. Main products comprise IC,Modules,Potentiometer,IC Socket,Relay,Connector.Our parts cover such applications as commercial,industrial, and automotives areas.

We are looking forward to setting up business relationship with you and hope to provide you with the best service and solution. Let us make a better world for our industry!



Contact us

Tel: +86-755-8981 8866 Fax: +86-755-8427 6832

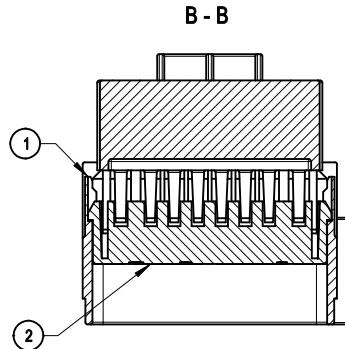
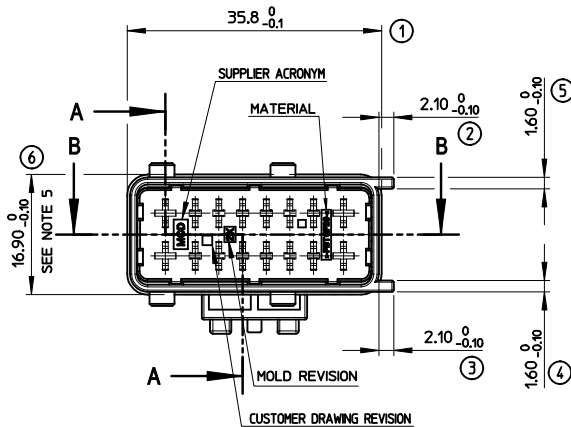
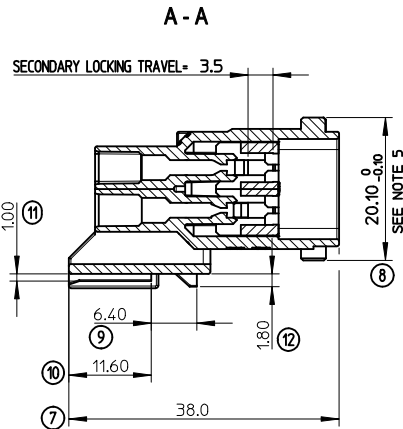
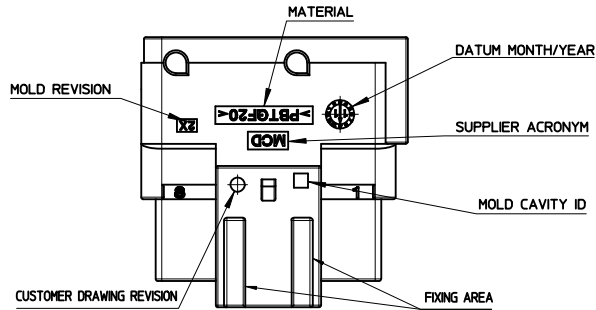
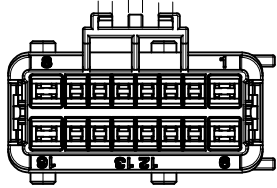
Email & Skype: info@chipsmall.com Web: www.chipsmall.com

Address: A1208, Overseas Decoration Building, #122 Zhenhua RD., Futian, Shenzhen, China



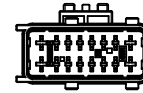
13 12 11 10 9 8 7 6 5 4 3 2 1

10.50
14 6.50
15 2.00

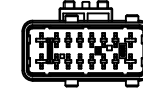


CODINGS

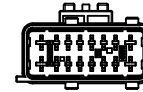
COLOR: BLACK
P/N*: 0982761001



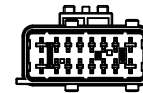
COLOR: GREEN
P/N*: 0982761002



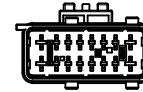
COLOR: BLUE
P/N*: 0982761003



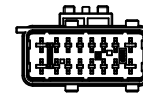
COLOR: WHITE
P/N*: 0982761004



COLOR: BROWN
P/N*: 0982761005



COLOR: GREY
P/N*: 0982761006



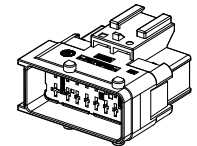
MODIFICATIONS

REV.	DESCRIPTION	NAME	DATE
A	PRELIMINARY ISSUE FOR GENERAL MARKET	EBA	04/11/08
B	MODIFICATION OF SHAPE ON 15 TERMINAL'S LATCHES	PKO	07/19/02
C	CHANGE THE SUPPLIER OF MATERIAL ON THE MALE BODY	PKO	07/10/23
D	-CODINGS REDRAWN TO BE LINKED WITH 3D MODELS. -ALL MARKINGS UPDATED. -REPAGED. -TEXTS IN FRENCH DELETED. -NOTES UPDATED. -FIXING AREA DEFINED WITH DIMS#9 to 15. -SECTION A-A UPDATED. -DIM#7 MOVED ON SECTION A-A.	GD	12/02/27

NOTES:

- 1 -FOR ILLUSTRATION PURPOSE THE MALE MODULE SHOWN IS THE BLACK VERSION.
- 2 -FEMALE CONNECTOR WILL MATE WITH MALE CONNECTOR P/N*: 098273100X.
- 3 -APPLICATION SPECIFICATION: AS-98276-001.
- 4 -PACKAGING SPECIFICATION: PK-98276-001.
- 5 -BOW ALLOWED 0.2 ON EACH SIDE.
- 6 -TERMINALS TO BE USED ARE SPECIFIED IN APPLICATION SPECIFICATION.

ISO VIEW



0982770001	2	SECONDARY LOCKING	>PBT-GF20<	YELLOW
098276000X	1	MALE BODY	>PBT-GF20<	SEE CHART
MOLEX P/N*	REP.	DESIGNATION	MATERIAL	COLOUR

REVISED
EC NO: G2012-0136
DRAWN: GEBRUERES 2012/01/18
CHKD: Y LOUAS 2012/02/27
APPR: CBOUCHAN 2012/04/16

DESCRIPTION
QUALITY SYMBOLS
▽=0
▽=0

GENERAL TOLERANCES (UNLESS SPECIFIED)

	mm	INCH
4 PLACES	± ---	± ---
3 PLACES	± ---	± ---
2 PLACES	± 0.10	± ---
1 PLACE	± 0.2	± ---

ANGULAR ± 1 °

DRAFT WHERE APPLICABLE MUST REMAIN WITHIN DIMENSIONS

DIMENSION STYLE
MM ONLY

DRAWN BY DATE
EBASSET 2004/11/08

CHECKED BY DATE
EBASSET 2004/11/08

APPROVED BY DATE
LSTICKEI 2004/11/08

MATERIAL NO.
SEE CHART

SIZE
A 2

SCALE
2:1

DESIGN UNITS
METRIC

FIRST ANGLE PROJECTION

TITLE
16W HYB. MALE CONN.

MOLEX MOLEX INCORPORATED

DOCUMENT NO.
SD-98276-001

SHEET NO.
1 OF 1

THIS DRAWING CONTAINS INFORMATION THAT IS PROPRIETARY TO MOLEX INCORPORATED AND SHOULD NOT BE USED WITHOUT WRITTEN PERMISSION