



Chipsmall Limited consists of a professional team with an average of over 10 year of expertise in the distribution of electronic components. Based in Hongkong, we have already established firm and mutual-benefit business relationships with customers from,Europe,America and south Asia,supplying obsolete and hard-to-find components to meet their specific needs.

With the principle of “Quality Parts,Customers Priority,Honest Operation,and Considerate Service”,our business mainly focus on the distribution of electronic components. Line cards we deal with include Microchip,ALPS,ROHM,Xilinx,Pulse,ON,Everlight and Freescale. Main products comprise IC,Modules,Potentiometer,IC Socket,Relay,Connector.Our parts cover such applications as commercial,industrial, and automotives areas.

We are looking forward to setting up business relationship with you and hope to provide you with the best service and solution. Let us make a better world for our industry!



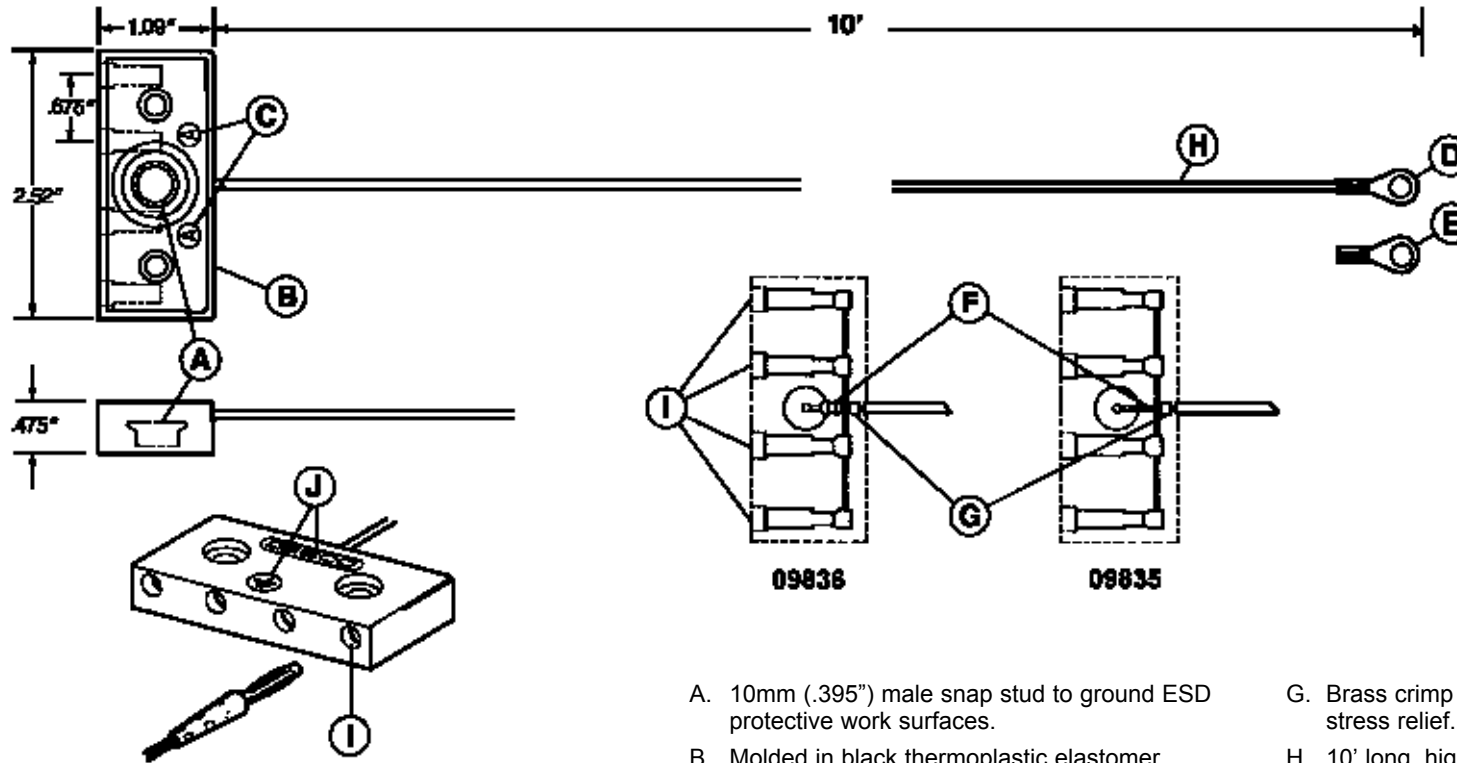
## Contact us

Tel: +86-755-8981 8866 Fax: +86-755-8427 6832

Email & Skype: info@chipsmall.com Web: www.chipsmall.com

Address: A1208, Overseas Decoration Building, #122 Zhenhua RD., Futian, Shenzhen, China





- A. 10mm (.395") male snap stud to ground ESD protective work surfaces.
- B. Molded in black thermoplastic elastomer.
- C. Date coded to show month and year of manufacture.
- D. Ring terminal, .200" I.D. (#10).
- E. Extra ring terminal included for customizing length.
- F. Item [09836](#) has a one megohm resistor between the snap and ground, with the four banana jacks at ground potential. Item [09835](#) has no resistor between the snap and ground, with the banana jacks also at ground potential.
- G. Brass crimp secures conductors and provides stress relief.
- H. 10' long, high flex strand copper, 20 gauge, with PVC insulated jacket.  
[09835](#) - green insulation with yellow stripe  
[09836](#) - black insulation  
OD = .100"
- I. Four banana jacks at ground potential (.162" - .164" ± .002" ID).
- J. Desco logo and ground symbol molded onto top of snap assembly.
- K. Molded #10 mounting holes allow for permanent installation at the work bench.

Specifications and procedures subject to change without notice.

### QUAD GROUND CORD, COMMON POINT, GROUND BLOCK

ITEM	DESCRIPTION
<a href="#">09835</a>	No Resistor - Green Wire with Yellow Stripe
<a href="#">09836</a>	One Megohm Resistor to Mat - Black Wire

DESCO WEST: 3651 WALNUT AVE., CHINO, CA 91710 WEB SITE: [Desco.com](http://Desco.com)  
 PHONE (909) 627-8178 FAX (909) 627-7449 FAX REQUEST (909) 627-7126  
 DESCO EAST: ONE COLGATE WAY, CANTON, MA 02021-1407  
 PHONE (781) 821-8370 FAX (781) 575-0172

**DRAWING NUMBER**  
09835

**DATE:**  
February  
2010

