



Chipsmall Limited consists of a professional team with an average of over 10 year of expertise in the distribution of electronic components. Based in Hongkong, we have already established firm and mutual-benefit business relationships with customers from,Europe,America and south Asia,supplying obsolete and hard-to-find components to meet their specific needs.

With the principle of “Quality Parts,Customers Priority,Honest Operation,and Considerate Service”,our business mainly focus on the distribution of electronic components. Line cards we deal with include Microchip,ALPS,ROHM,Xilinx,Pulse,ON,Everlight and Freescale. Main products comprise IC,Modules,Potentiometer,IC Socket,Relay,Connector.Our parts cover such applications as commercial,industrial, and automotives areas.

We are looking forward to setting up business relationship with you and hope to provide you with the best service and solution. Let us make a better world for our industry!



## Contact us

Tel: +86-755-8981 8866 Fax: +86-755-8427 6832

Email & Skype: info@chipsmall.com Web: www.chipsmall.com

Address: A1208, Overseas Decoration Building, #122 Zhenhua RD., Futian, Shenzhen, China

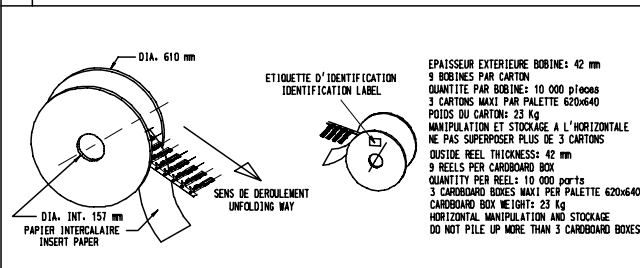


CONTROLE CLIP / CONTROLE FEMALE CONTACT

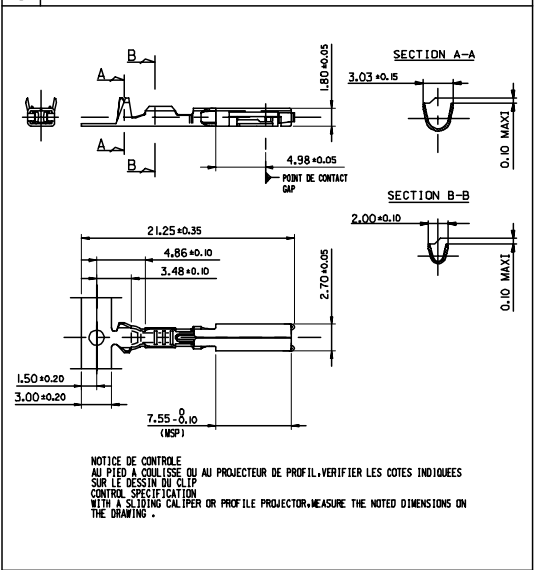
1 SERTISSAGE CRIMPING

FIL / WIRE		CONTACT / TERMINAL REFERENCES PART #		PARAMETRES DE SERTISSAGE CRIMPING PARAMETERS	
TYPE	SECTION REELLE REAL SECTION	DIAM. EXTERIEUR MAX. MAX. STRANDS DIA.	DIAM. INTERIEUR MAX. MAX. STRANDS DIA.	REPERES D'OUTIL TOOL #	SERTISSAGE CUVRE WIRE BARREL
0.22 R1	0.22 mm <sup>2</sup>	7	0.25 mm	L20 ±0.05	L01 ± 0.03 L5 ± 0.1 > 50 N L56 ± 0.1 2.2 ± 0.1
0.35 R1 R3	0.34 mm <sup>2</sup>	7	0.25 mm	L30 ±0.05	L05 ± 0.03 L5 ± 0.1 > 60 N L6 ± 0.1 2.2 ± 0.1
0.35 D3	0.34 mm <sup>2</sup>	7	0.25 mm	L30 ±0.05	L05 ± 0.03 L5 ± 0.1 > 60 N L6 ± 0.1 2.2 ± 0.1
0.50 R1 R3	0.478 mm <sup>2</sup>	19	0.38 mm	L50 ±0.10	L07 ± 0.03 L5 ± 0.1 > 80 N L55 ± 0.05 2.3 ± 0.1
0.50 D3	0.478 mm <sup>2</sup>	19	0.38 mm	L50 ±0.10	L07 ± 0.03 L5 ± 0.1 > 80 N L55 ± 0.05 2.3 ± 0.1
0.60 R1 R3	0.59 mm <sup>2</sup>	12	0.25 mm	L80 ±0.05	L14 ± 0.03 L5 ± 0.1 > 100 N L95 ± 0.05 2.3 ± 0.05

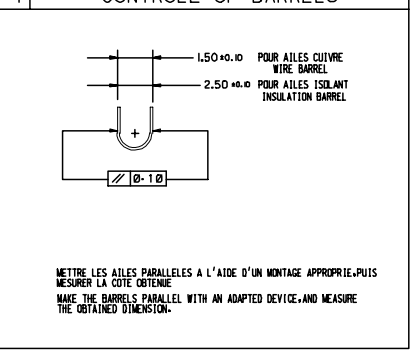
2 CONDITIONNEMENT PACKAGING



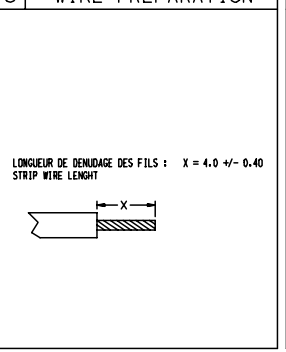
3 CLIP FEMALE TERMINAL



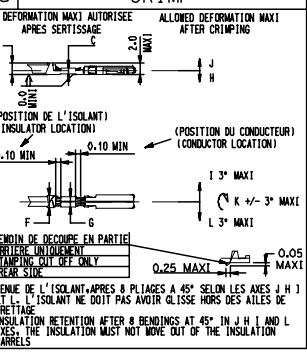
4 CONTROLE DES AILES CONTROL OF BARRELS



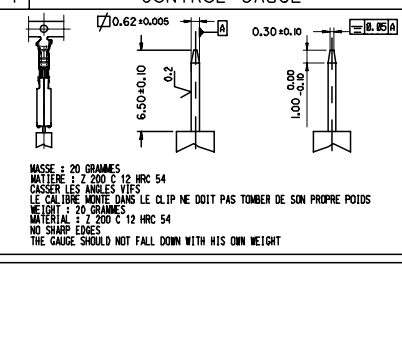
5 PREPARATION DES FILS WIRE PREPARATION



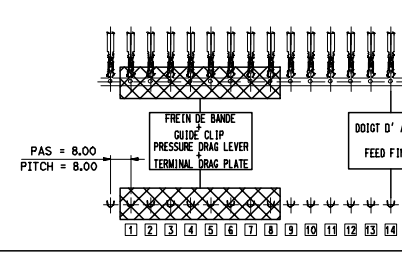
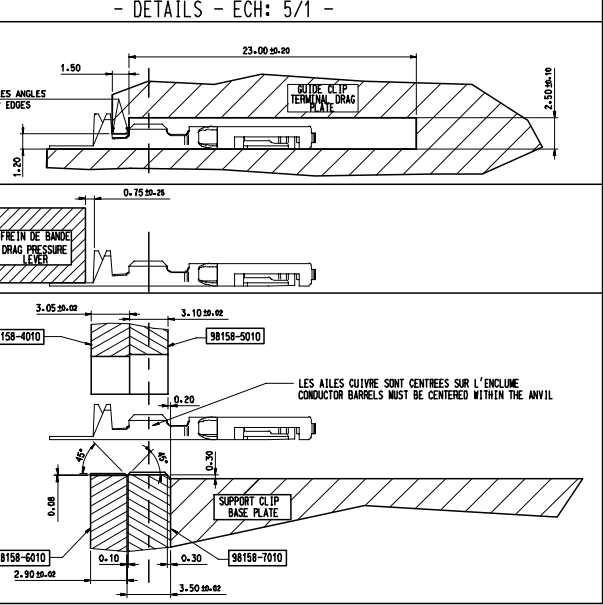
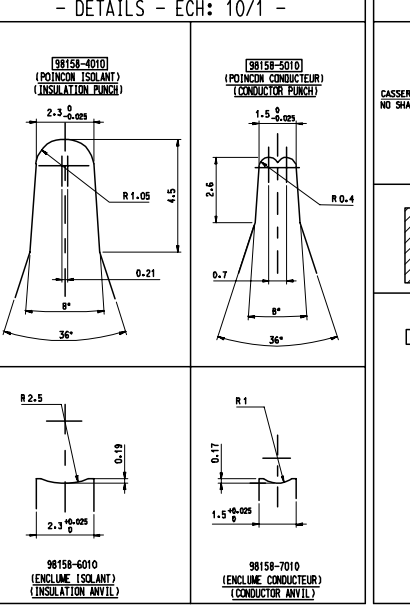
6 SERTISSAGE CRIMP



7 CALIBRE DE CONTROLE CONTROL GAUGE



PRECONISATION APPLICATEUR / TOOLING SPECIFICATION



TOLERANCES APPLICATEUR / TOOLING TOLERANCES

RAYONS / RADIUS	± 0.05
ANGLE / ANGLE	± 0°15'
SYMETRIE / SYMMETRY	0.03
DIMENSION / DIMENSION	± 0.05

A	15/06/02	PREMIERE DIFFUSION FIRST PROPOSAL	
IND.	DATE	REVISION	

GENERAL TOLERANCES (UNLESS SPECIFIED)	DIMENSION STYLE MM ONLY	SCALE	DESIGN UNITS METRIC	FIRST ANGLE PROJECTION
4 PLACES ± --- ± ---	DRAWN BY DATE			
3 PLACES ± --- ± ---	MANDRE 2005/06/02			
2 PLACES ± --- ± ---	CHECKED BY DATE			
1 PLACE ± --- ± ---	PGRANDCL 2005/06/02			
	APPROVED BY DATE			
	STICKEI 2005/06/03			
ANGULAR ±1/2°	MATERIAL NO.	DOCUMENT NO.	MOLIX MOLEX INCORPORATED	
DRAFT WHERE APPLICABLE MUST REMAIN WITHIN DIMENSIONS	SEE CHART	SD-98587-001	SHEET NO. 1 OF 1	

THIS DRAWING CONTAINS INFORMATION THAT IS PROPRIETARY TO MOLEX INCORPORATED AND SHOULD NOT BE USED WITHOUT WRITTEN PERMISSION