



Chipsmall Limited consists of a professional team with an average of over 10 year of expertise in the distribution of electronic components. Based in Hongkong, we have already established firm and mutual-benefit business relationships with customers from,Europe,America and south Asia,supplying obsolete and hard-to-find components to meet their specific needs.

With the principle of “Quality Parts,Customers Priority,Honest Operation,and Considerate Service”,our business mainly focus on the distribution of electronic components. Line cards we deal with include Microchip,ALPS,ROHM,Xilinx,Pulse,ON,Everlight and Freescale. Main products comprise IC,Modules,Potentiometer,IC Socket,Relay,Connector.Our parts cover such applications as commercial,industrial, and automotives areas.

We are looking forward to setting up business relationship with you and hope to provide you with the best service and solution. Let us make a better world for our industry!



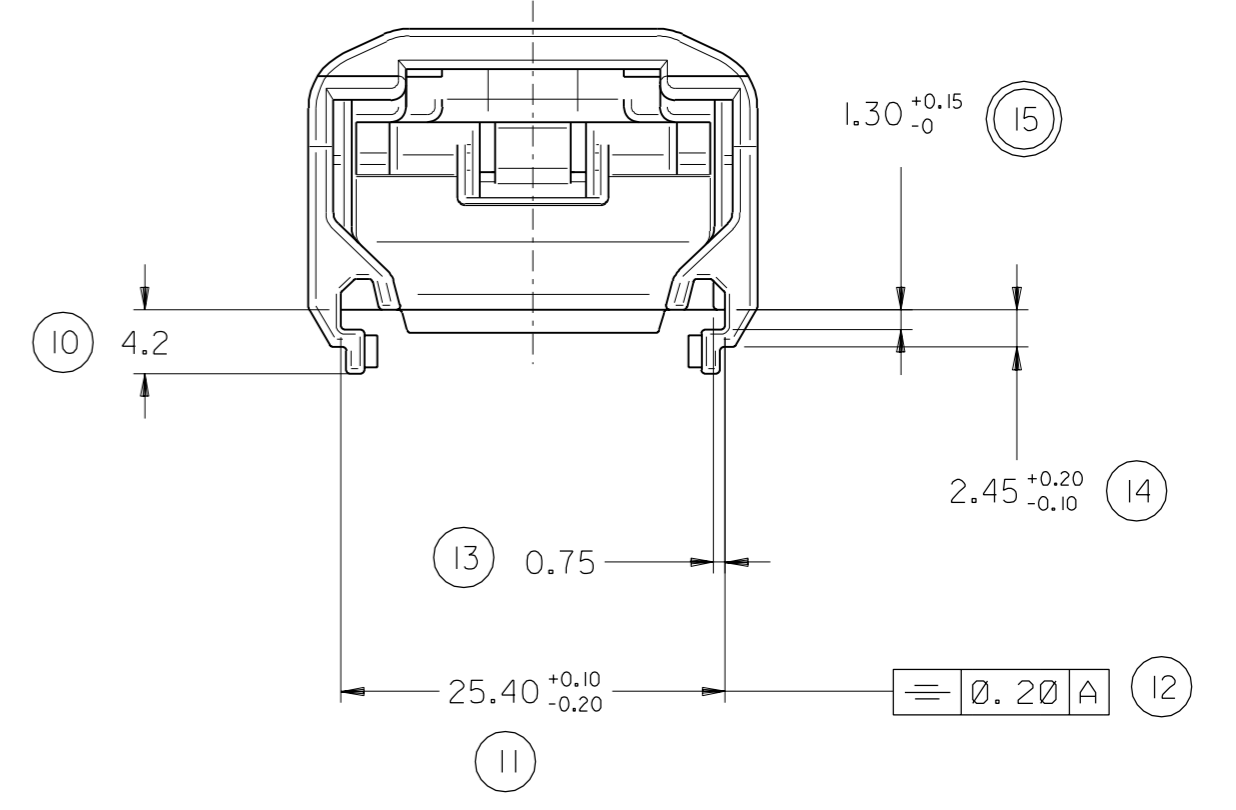
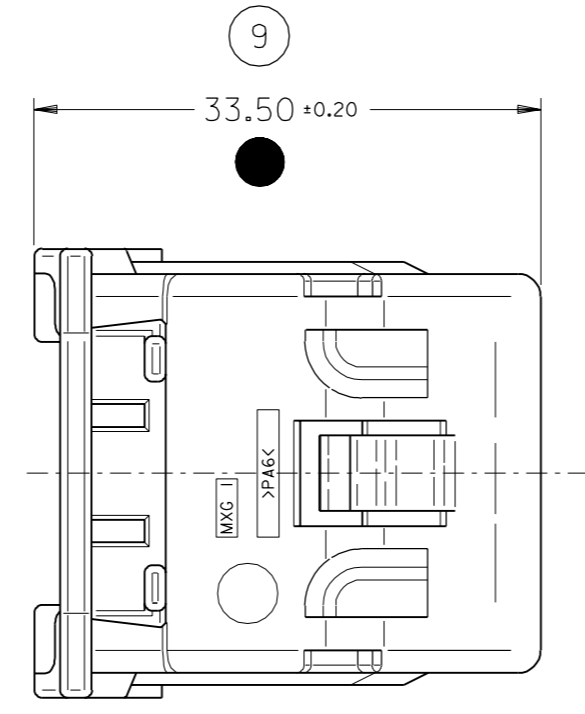
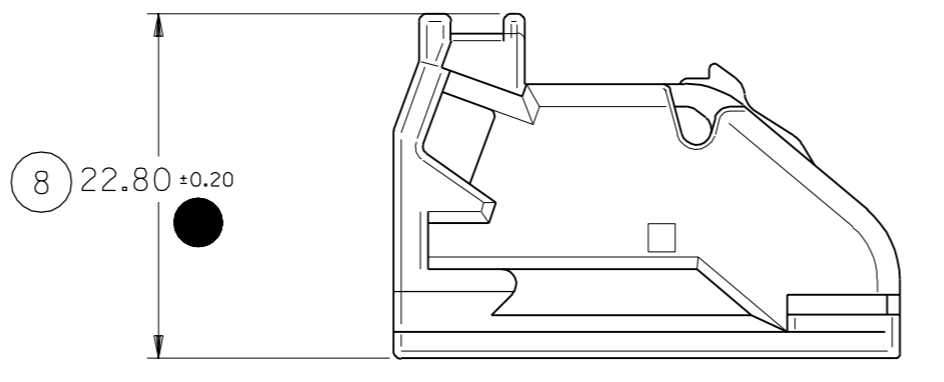
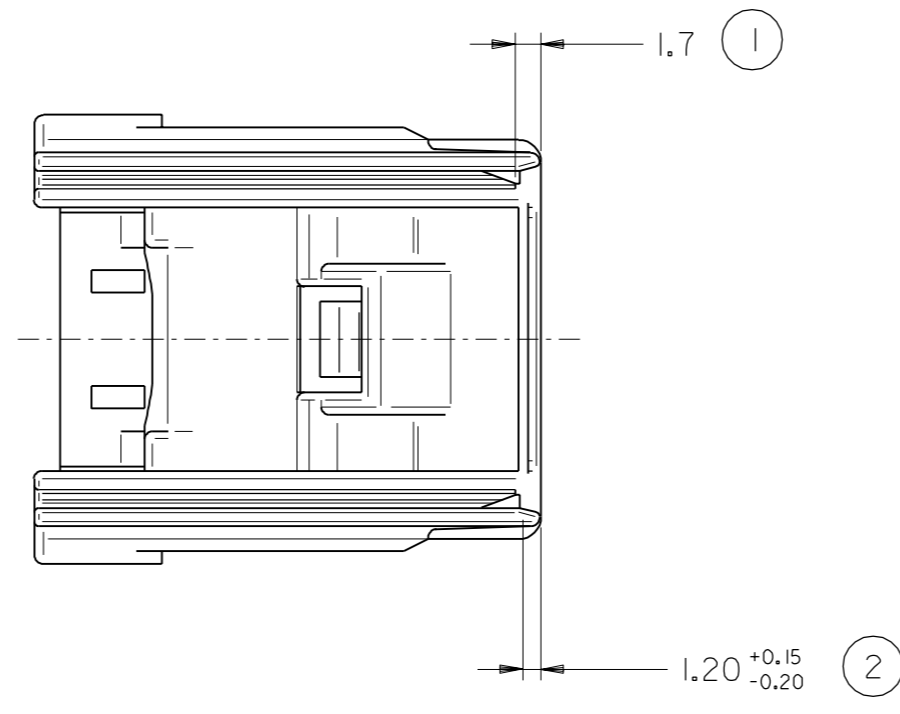
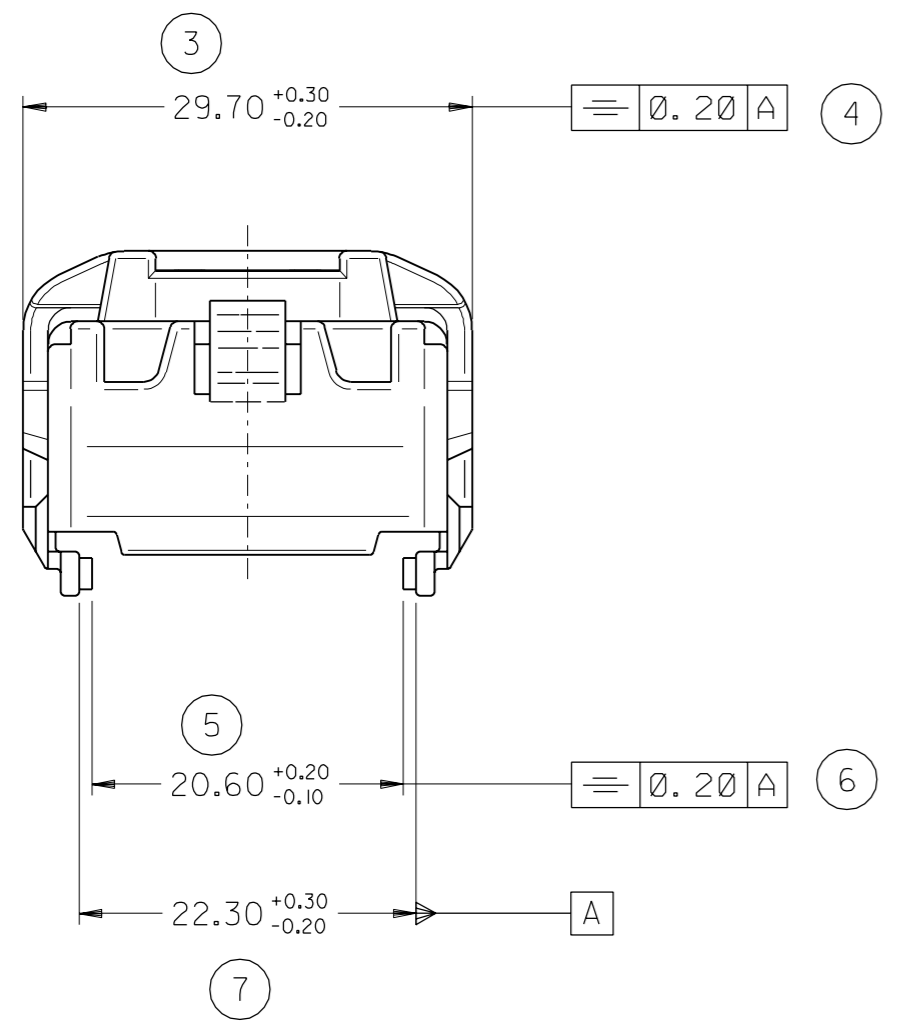
Contact us

Tel: +86-755-8981 8866 Fax: +86-755-8427 6832

Email & Skype: info@chipsmall.com Web: www.chipsmall.com

Address: A1208, Overseas Decoration Building, #122 Zhenhua RD., Futian, Shenzhen, China





INDICATION DIMENSIONS S.P.C DENOTES S.P.C DIMENSIONS
 INDICATION DIMENSIONS FONCTIONNELLES DENOTES FUNCTIONAL DIMENSIONS
 QUANTITE PAR FEUILLE INDIVIDUELLE
 QUANTITY PER INDIVIDUAL SHEET
 = 0 PLACE(S) = 2 PLACE(S)

NOTES:

- 1- CAHIER DE PRECONISATION: AS-98644-005
APPLICATION SPECIFICATION: AS-98644-005
- 2- LE CAPOT S'ASSEMBLE AVEC LES PORTES-CLIPS EQUIPES SORTIE DROITE
REFERENCE: 98644-XXXX OU SORTIE GAUCHE REFERENCE: 98644-XXXX
THE WIRE CAP IS ASSEMBLED WITH THE ASSEMBLED FEMALE MODULE RIGHT WIRE OUTPUT
PART NUMBER: 98644-XXXX OR LEFT WIRE OUTPUT PART NUMBER: 98644-XXXX

REF. MOLEX
MOLEX PART NUMBER

98649-1001

ECHELLE 1:1
SCALE 1:1

EC NO. G-2003-0359 DRWN: PDE 03/04/22 CHK: / / / APPR: / / /	QUALITY SYMBOLS MAJOR = CRITICAL = C =	GENERAL TOLERANCES: (UNLESS SPECIFIED)		SCALE 2:1	DESIGN UNITS <input checked="" type="checkbox"/> mm <input type="checkbox"/> INCH	DIMENSIONS: <input type="checkbox"/> mm <input type="checkbox"/> INCH <input checked="" type="checkbox"/> mm ONLY	SHT REV
		4 PLACES ±0. ±.	3 PLACES ±0. ±.	2 PLACES ±0.10 ±.	1 PLACE ±0.15 ±.	DRAWN BY & DATE PGR 99/12/13	CHECKED BY & DATE / /
DRAFT WHERE APPLICABLE MUST REMAIN WITHIN DIMENSIONS		ANGULAR: ± 1/2 °		CAD FILENAME S98649X3.DGN	MATERIAL NO. N/A	DRAWING NO. SD-98649-010	SHEET NO. 1 OF 1
THIS DRAWING CONTAINS INFORMATION THAT IS PROPRIETARY TO MOLEX INCORPORATED AND SHOULD NOT BE USED WITHOUT WRITTEN PERMISSION.							SIZE C