



Chipsmall Limited consists of a professional team with an average of over 10 year of expertise in the distribution of electronic components. Based in Hongkong, we have already established firm and mutual-benefit business relationships with customers from,Europe,America and south Asia,supplying obsolete and hard-to-find components to meet their specific needs.

With the principle of "Quality Parts,Customers Priority,Honest Operation,and Considerate Service",our business mainly focus on the distribution of electronic components. Line cards we deal with include Microchip,ALPS,ROHM,Xilinx,Pulse,ON,Everlight and Freescale. Main products comprise IC,Modules,Potentiometer,IC Socket,Relay,Connector.Our parts cover such applications as commercial,industrial, and automotives areas.

We are looking forward to setting up business relationship with you and hope to provide you with the best service and solution. Let us make a better world for our industry!



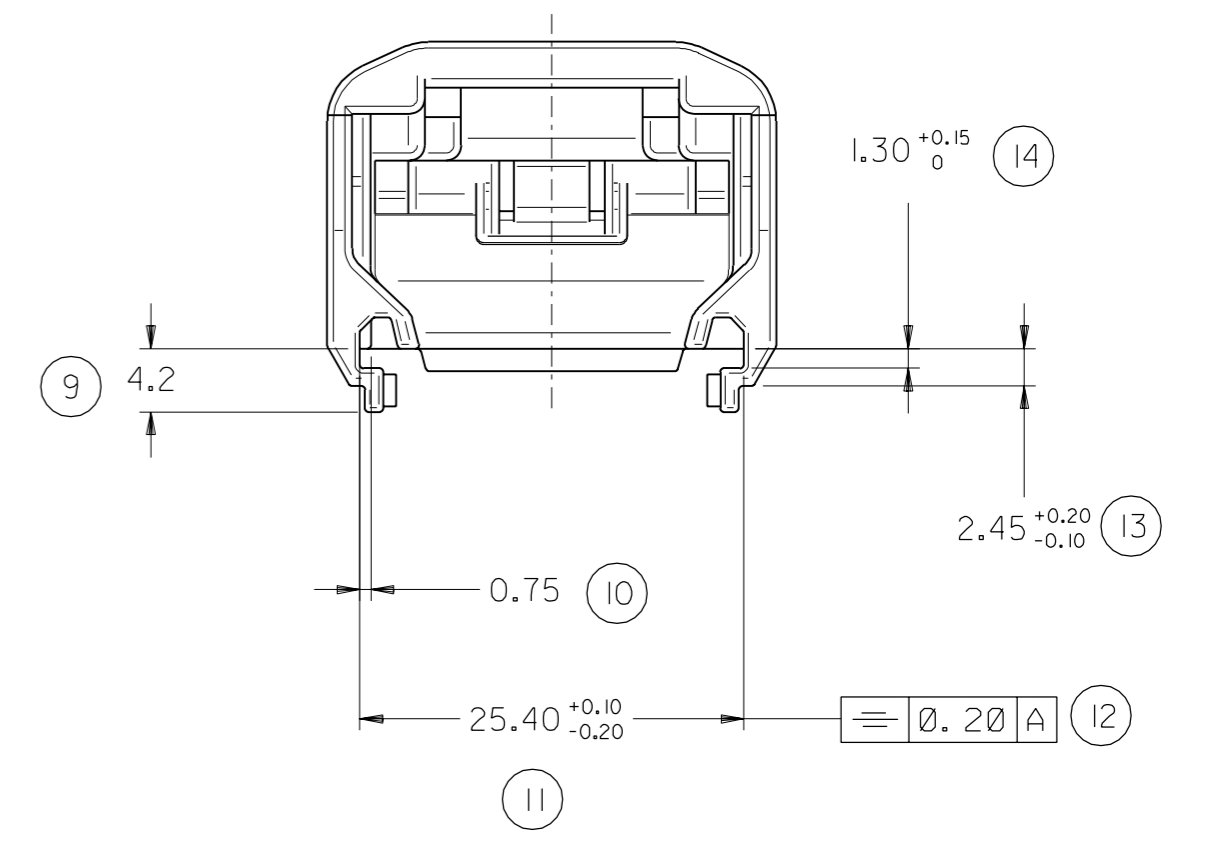
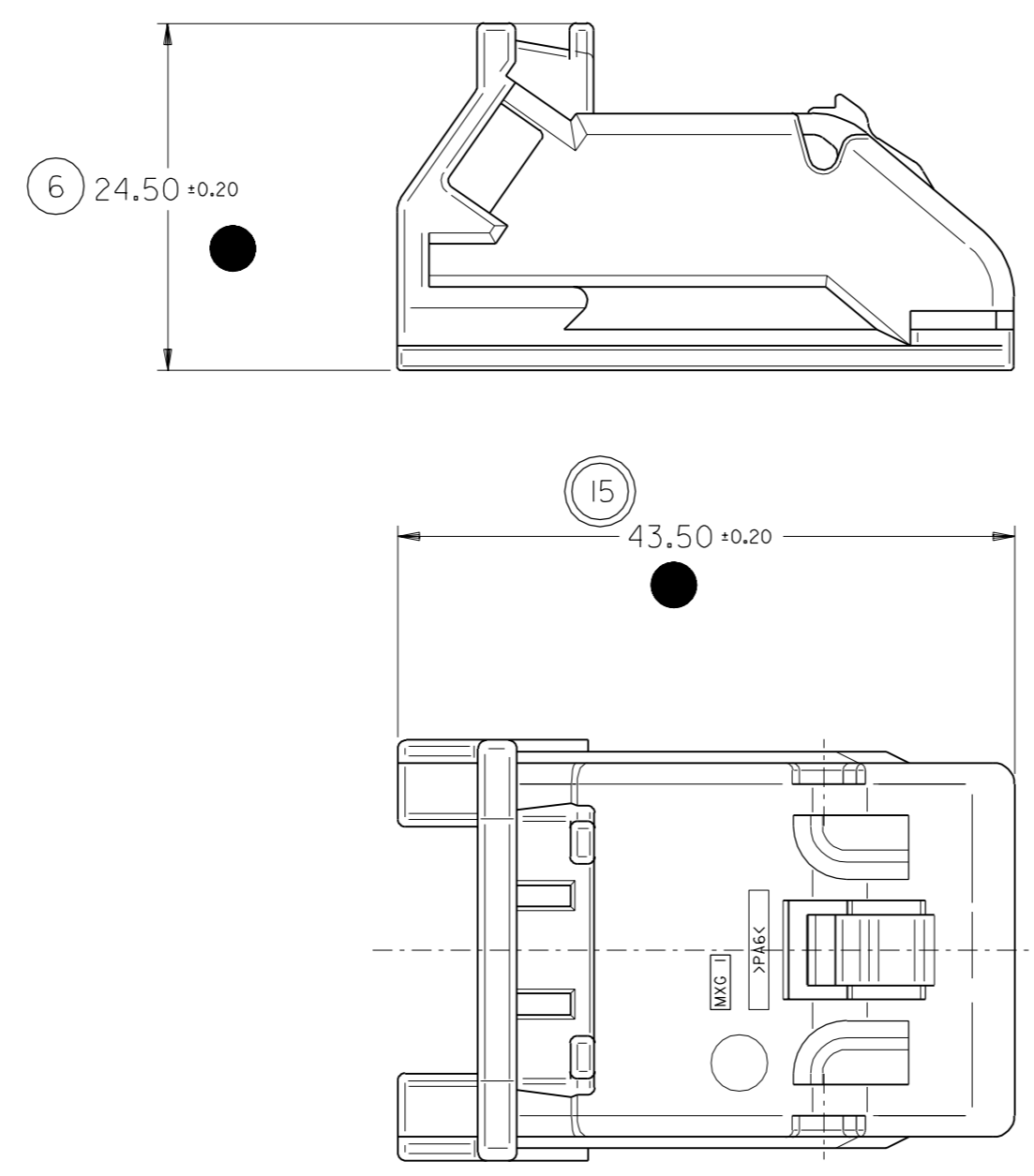
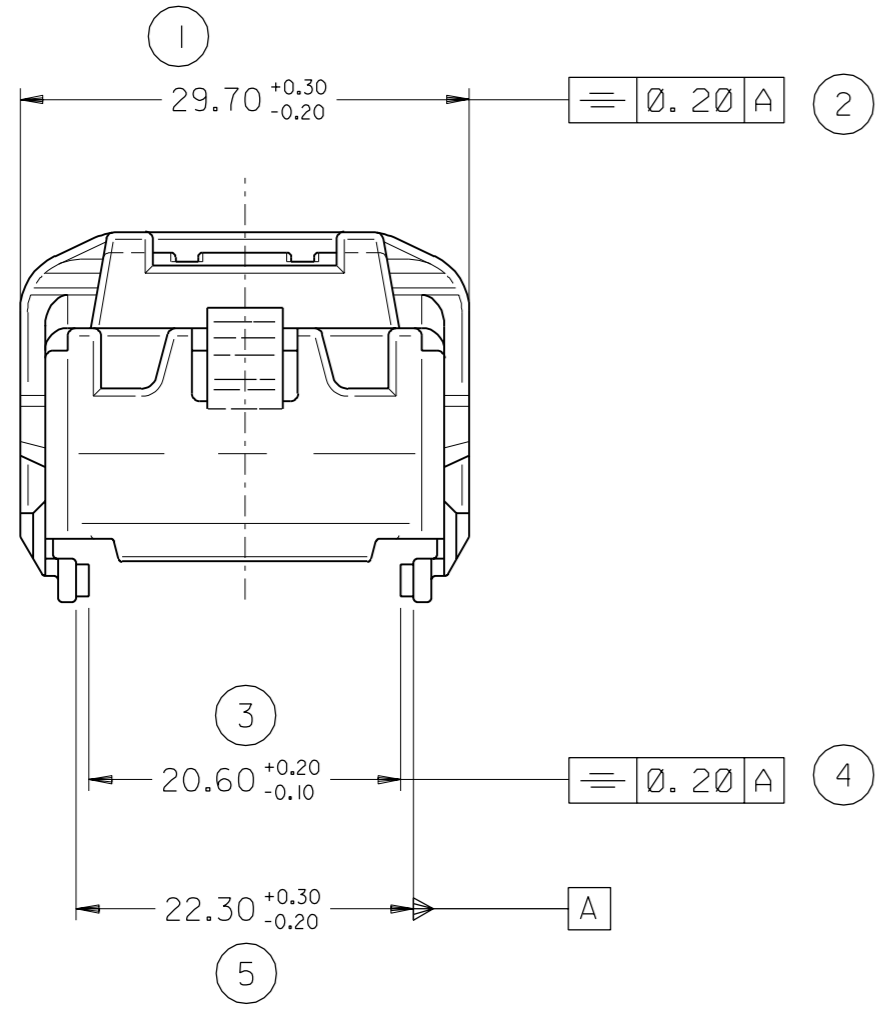
## Contact us

Tel: +86-755-8981 8866 Fax: +86-755-8427 6832

Email & Skype: info@chipsmall.com Web: www.chipsmall.com

Address: A1208, Overseas Decoration Building, #122 Zhenhua RD., Futian, Shenzhen, China





INDICATION DIMENSIONS S.P.C DENOTES S.P.C DIMENSIONS  
 INDICATION DIMENSIONS FONCTIONNELLES DENOTES FUNCTIONAL DIMENSIONS  
 QUANTITE PAR FEUILLE INDIVIDUELLE  
 QUANTITY PER INDIVIDUAL SHEET  
 = 0 PLACE(S)     = 2 PLACE(S)

NOTES:

- 1- CAHIER DE PRECONISATION: AS-98644-005  
APPLICATION SPECIFICATION: AS-98644-005
- 2- LE CAPOT S'ASSEMBLE AVEC LES PORTE-CLIPS EQUIPES SORTIE DROITE  
REFERENCE: 98650-XXXX OU SORTIE GAUCHE REFERENCE: 98650-XXXX  
THE WIRE CAP IS ASSEMBLED WITH THE ASSEMBLED FEMALE MODULE RIGHT WIRE OUTPUT  
PART NUMBER: 98650-XXXX OR LEFT WIRE OUTPUT PART NUMBER: 98650-XXXX

REF. MOLEX  
MOLEX PART NUMBER  
98655-1001

ECHELLE 1:1  
SCALE 1:1

EC NO. G2003-0369 DRWN: PDE 03/05/05 CHK: PGR 03/05/05 APPR: CBO 03/05/05	QUALITY SYMBOLS MAJOR CRITICAL C	GENERAL TOLERANCES: (UNLESS SPECIFIED)		SCALE 2:1	DESIGN UNITS <input checked="" type="checkbox"/> mm <input type="checkbox"/> INCH	FIRST ANGLE PROJECTION <input checked="" type="checkbox"/> THIRD ANGLE PROJECTION	DIMENSIONS:		SHT	REV		
		4 PLACES	$\pm 0.$	$\pm .$	DRAWN BY & DATE		TITLE: CAPOT 48 VOIES CMC WIRE CAP CMC 48 WAY		<input type="checkbox"/> mm <input type="checkbox"/> INCH	<input checked="" type="checkbox"/> mm ONLY		
		3 PLACES	$\pm 0.$	$\pm .$	CHECKED BY & DATE		MOLEX INCORPORATED					
		2 PLACES	$\pm 0.10$	$\pm .$	APPROVED BY & DATE		MATERIAL NO. N/A					
1 PLACE	$\pm 0.15$	$\pm .$	ANGULAR: $\pm 1/2^\circ$	CAD FILENAME S98655X3.DGN	DRAWING NO. SD-98655-010	SHEET NO. 1 OF 1	THIS DRAWING CONTAINS INFORMATION THAT IS PROPRIETARY TO MOLEX INCORPORATED AND SHOULD NOT BE USED WITHOUT WRITTEN PERMISSION.					
DRAFT WHERE APPLICABLE MUST REMAIN WITHIN DIMENSIONS										SIZE C		