



Chipsmall Limited consists of a professional team with an average of over 10 year of expertise in the distribution of electronic components. Based in Hongkong, we have already established firm and mutual-benefit business relationships with customers from,Europe,America and south Asia,supplying obsolete and hard-to-find components to meet their specific needs.

With the principle of “Quality Parts,Customers Priority,Honest Operation,and Considerate Service”,our business mainly focus on the distribution of electronic components. Line cards we deal with include Microchip,ALPS,ROHM,Xilinx,Pulse,ON,Everlight and Freescale. Main products comprise IC,Modules,Potentiometer,IC Socket,Relay,Connector.Our parts cover such applications as commercial,industrial, and automotives areas.

We are looking forward to setting up business relationship with you and hope to provide you with the best service and solution. Let us make a better world for our industry!



Contact us

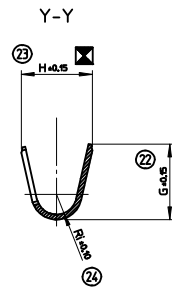
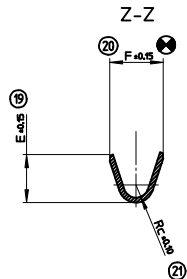
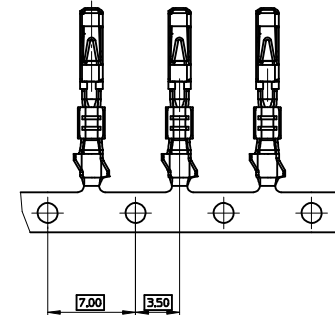
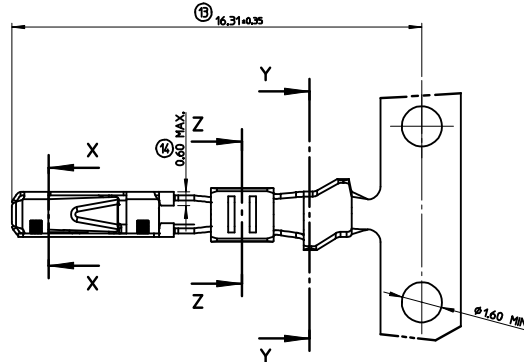
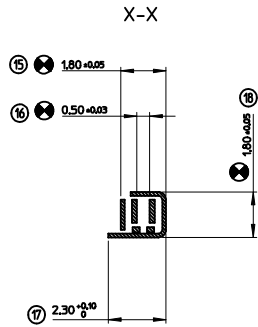
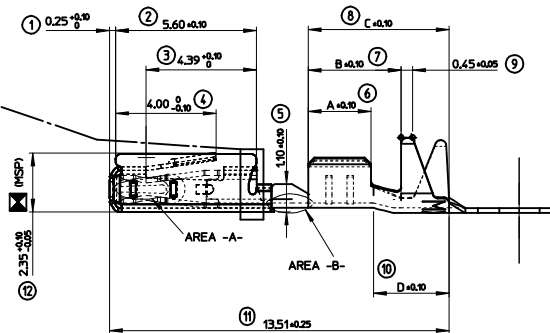
Tel: +86-755-8981 8866 Fax: +86-755-8427 6832

Email & Skype: info@chipsmall.com Web: www.chipsmall.com

Address: A1208, Overseas Decoration Building, #122 Zhenhua RD., Futian, Shenzhen, China



FORME ADMISE
ALLOWED VERSION



	MOLEX REFERENCE	AREA -A- (GAP AREA)	AREA -B-	CRIMPING AREA	Wire size range	Longeurs Length	Sertissage Conducteur Wire Crimp	Sertissage Isolant Insulation Crimp	Poids Weight
TIN PLATED VERSION	0986581211	HOT TIN DIP Sn = 1.0 to 3.0 µm			0.22 to 0.60 mm ²	A-2.50 B-3.70 C-5.60 D-3.00	E-1.90 F-2.10 Rc-0.50	G-2.90 H-2.80 Ri-0.80	0.1600 g
GOLD PLATED VERSION	0986581221	Au= 0.4 µm MIN. Ni= 1.0 µm MIN.		Sn = 1.0 to 5.0 µm MIN. Ni = 1.0 µm MIN.					
GOLD PLATED VERSION	0986581231	Au= 0.4 µm MIN. Ni= 1.0 µm MIN.	Au= 0.4 µm MIN. Ni= 1.0 µm MIN.	Sn = 1.0 to 5.0 µm MIN. Ni = 1.0 µm MIN.					
TIN PLATED VERSION	0986581212	HOT TIN DIP Sn = 1.0 to 3.0 µm							
GOLD PLATED VERSION	0986581222	Au= 0.4 µm MIN. Ni= 1.0 µm MIN.		Sn = 1.0 to 5.0 µm MIN. Ni = 1.0 µm MIN.	0.75 mm ²	A-2.80 B-3.70 C-5.60 D-2.70	E-2.25 F-2.25 Rc-0.50	G-2.90 H-2.80 Ri-0.80	0.1600 g
GOLD PLATED VERSION	0986581232	Au= 0.4 µm MIN. Ni= 1.0 µm MIN.	Au= 0.4 µm MIN. Ni= 1.0 µm MIN.	Sn = 1.0 to 5.0 µm MIN. Ni = 1.0 µm MIN.					
TIN PLATED VERSION	0986581213	HOT TIN DIP Sn = 1.0 to 3.0 µm							
GOLD PLATED VERSION	0986581223	Au= 0.4 µm MIN. Ni= 1.0 µm MIN.		Sn = 1.0 to 5.0 µm MIN. Ni = 1.0 µm MIN.					
GOLD PLATED VERSION	0986581233	Au= 0.4 µm MIN. Ni= 1.0 µm MIN.	Au= 0.4 µm MIN. Ni= 1.0 µm MIN.	Sn = 1.0 to 5.0 µm MIN. Ni = 1.0 µm MIN.	0.22 to 0.50 mm ²	A-2.50 B-3.70 C-5.60 D-3.00	E-1.80 F-1.80 Rc-0.40	G-2.30 H-2.30 Ri-0.70	0.1600 g

NOTE:

- MATERIAL: CONTACT BODY: HIGH CONDUCTIVE COPPER ALLOY.
SLEEVE: STAINLESS STEEL.
- PACKAGING SPECIFICATION: PK-98658-006.
- CRIMPING PARAMETERS AND CRIMPING TOOL DEFINITION: SEE CS-98658-001.

INDICATION DIMENSIONS S.P.C.
DENOTES S.P.C DIMENSIONS
 INDICATION DIMENSIONS DETERMINANT LES
CAPABILITIES MACHINE
DENOTES DIMENSIONS DETERMINING THE
MACHINE'S ABILITIES
 INDICATION DIMENSIONS FONCTIONNELLES
DENOTES FUNCTIONAL DIMENSIONS
 QUANTITE PAR FEUILLE INDIVIDUELLE
QUANTITY PER INDIVIDUAL SHEET
 - 2 - 4 - 0

REV 1 J1 2014/03/07 2014/03/07 2014/04/16 DRWING:PLESSIS CHK:MANDRE APPR:DUCCLOS	QUALITY SYMBOLS 4 PLACES ± --- ± --- 3 PLACES ± --- ± --- 2 PLACES ± 0. ± --- 1 PLACE ± 0. ± --- 0 PLACE ± 0. ± ---	GENERAL TOLERANCES (UNLESS SPECIFIED) mm INCH ANGULAR ±1/2° DRAFT WHERE APPLICABLE MUST REMAIN WITHIN DIMENSIONS	DIMENSION STYLE MM ONLY	SCALE 10:1	DESIGN UNITS METRIC	<input checked="" type="checkbox"/> FIRST ANGLE PROJECTION	TITLE MOX 0.63 TERMINAL RECEPTACLE TERMINAL GENERIC CONTROL DRAWING molex	DOCUMENT NO. SD-98658-004	SHEET NO. 1 OF 1	
	DRAWN BY DATE JTAMSSON 1998/06/01		CHECKED BY DATE MANDRE 1999/10/14		APPROVED BY DATE CBOUCHAN 1999/10/14		THIS DRAWING CONTAINS INFORMATION THAT IS PROPRIETARY TO MOLEX INCORPORATED AND SHOULD NOT BE USED WITHOUT WRITTEN PERMISSION			
	MATERIAL NO. SEE CHART		SIZE A1		INCORPORATED AND SHOULD NOT BE USED WITHOUT WRITTEN PERMISSION					
	INCORPORATED AND SHOULD NOT BE USED WITHOUT WRITTEN PERMISSION									