



Chipsmall Limited consists of a professional team with an average of over 10 year of expertise in the distribution of electronic components. Based in Hongkong, we have already established firm and mutual-benefit business relationships with customers from,Europe,America and south Asia,supplying obsolete and hard-to-find components to meet their specific needs.

With the principle of “Quality Parts,Customers Priority,Honest Operation,and Considerate Service”,our business mainly focus on the distribution of electronic components. Line cards we deal with include Microchip,ALPS,ROHM,Xilinx,Pulse,ON,Everlight and Freescale. Main products comprise IC,Modules,Potentiometer,IC Socket,Relay,Connector.Our parts cover such applications as commercial,industrial, and automotives areas.

We are looking forward to setting up business relationship with you and hope to provide you with the best service and solution. Let us make a better world for our industry!



Contact us

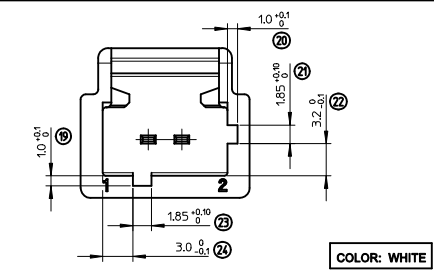
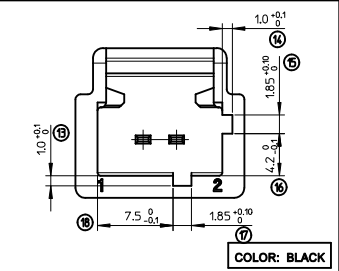
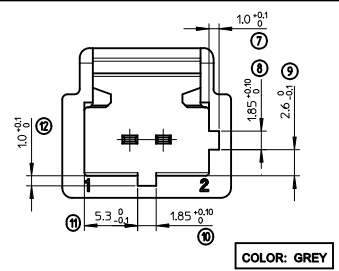
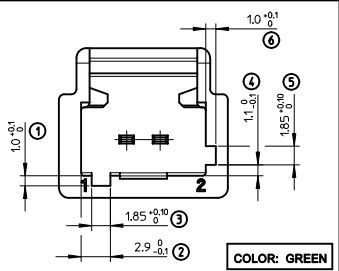
Tel: +86-755-8981 8866 Fax: +86-755-8427 6832

Email & Skype: info@chipsmall.com Web: www.chipsmall.com

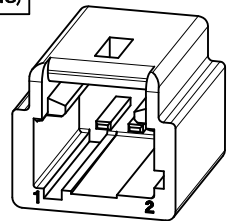
Address: A1208, Overseas Decoration Building, #122 Zhenhua RD., Futian, Shenzhen, China



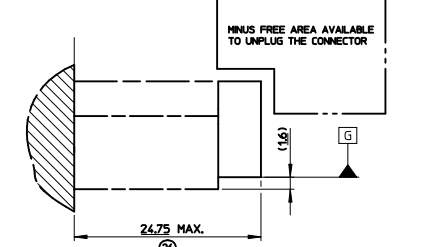
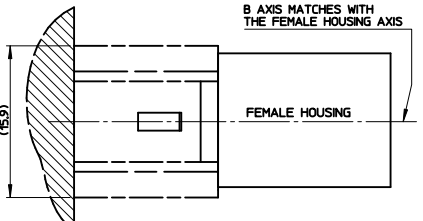
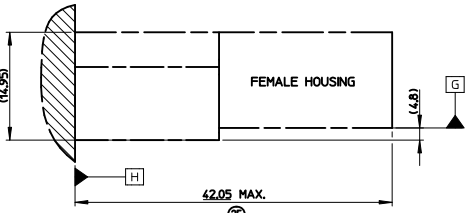
CODINGS



**ISO VIEW
(GREEN CODING)**



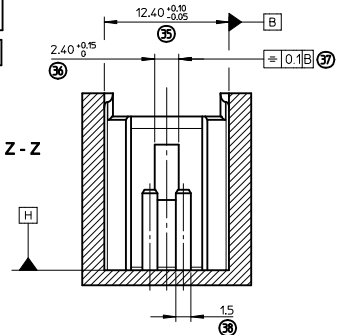
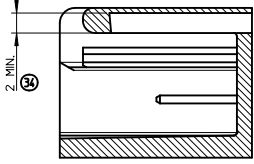
OVERALL DIMENSIONS



HEADER'S DEFINITION

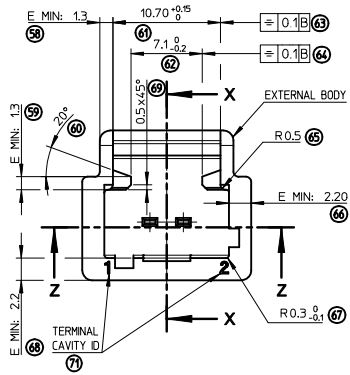
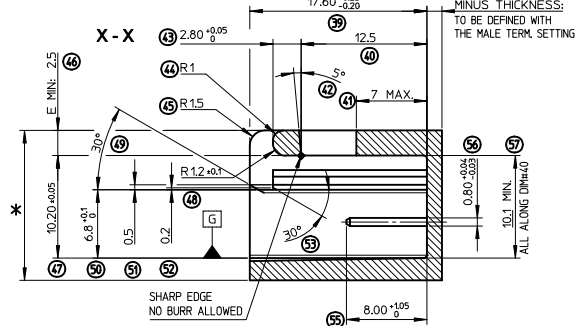
GREEN CODING REPRESENTED

**X - X
VARIABLE**

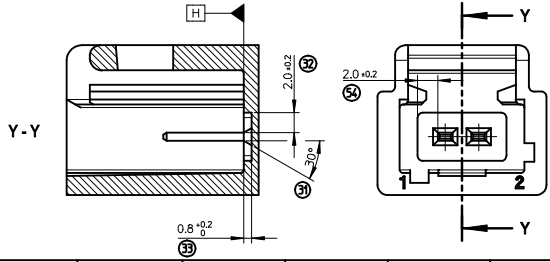


NOTES:

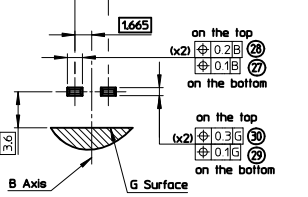
- MALE TERMINALS:**
 - MALE TERMINALS RESISTANCE: 100N MIN IN MALE TERM. AXIS.
 - MATERIAL: COPPER, COPPER ALLOY OR BRASS.
 - FINISHES: TIN PLATED 2μ MIN.
- HEADER:**
 - RADIUS WITHOUT DIM: R=0.3MM
 - E MIN: MINIMUM MATERIAL THICKNESS RECOMMENDED FOR SPECIFIED MATERIAL
 - MATERIAL: PBT (RECOMMENDED) (70)
 - WARPING: 0.35MM MAX. ACCEPTED ON "*" DIM. WITH ANOTHER EXTERNAL SHAPE AS DRAWN WHEN PLUGGED.
- MATES WITH:**
 - MOLEX CONNECTORS 9887-102X



MALE TERMINALS VARIABLE SETTING



MALE TERMINALS SETTING

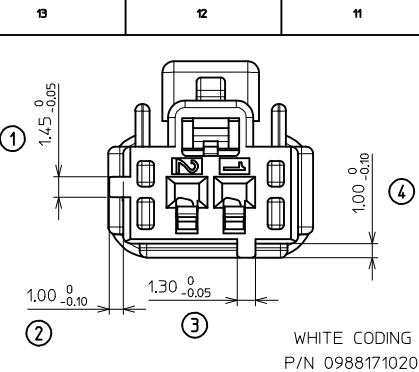


REV.	1	71		
	FIRST	LAST	DELETED	SUPERSEDED

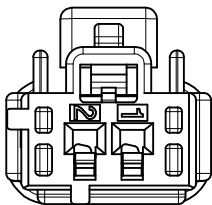
INSPECTION NUMBERS

PRINT 1ST RELEASE EC NO: G2012-0179 DRAWING DESIGNED BY: GDESBRUERES 2012/04/18 CHKD: JDUCCLOS 2012/04/18 APPROVED BY: OPLESSIS 2012/04/23	QUALITY SYMBOLS	GENERAL TOLERANCES (UNLESS SPECIFIED)	DIMENSION STYLE	SCALE	DESIGN UNITS	FIRST ANGLE PROJECTION
		4 PLACES ± --- ± ---	MM ONLY	4:1	METRIC	
		3 PLACES ± --- ± ---				
		2 PLACES ± 0.1 ± ---				
	1 PLACE ± 0.1 ± ---					
	0 PLACE ± ±					
		ANGULAR ± 2 °				
		DRAFT WHERE APPLICABLE MUST REMAIN WITHIN DIMENSIONS				

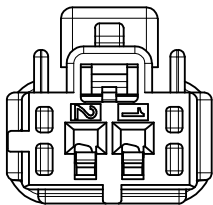
DRAWN BY: GDESBRUERES 2012/04/18	DATE: 2012/04/18	TITLE: 2W INTERFACE 15 TERM. (FOR FEMALE HOUSING)
CHECKED BY: JDUCCLOS 2012/04/18	DATE: 2012/04/18	
APPROVED BY: OPLESSIS 2012/04/23	DATE: 2012/04/23	
MATERIAL NO: N/A	DOCUMENT NO: SD-98815-002	SHEET NO: 1 OF 1
THIS DRAWING CONTAINS INFORMATION THAT IS PROPRIETARY TO MOLEX INCORPORATED AND SHOULD NOT BE USED WITHOUT WRITTEN PERMISSION		



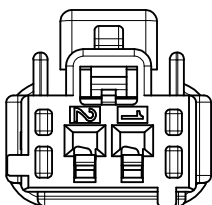
WHITE CODING
P/N 0988171020



BLACK CODING
P/N 0988171021



GREY CODING
P/N 0988171028

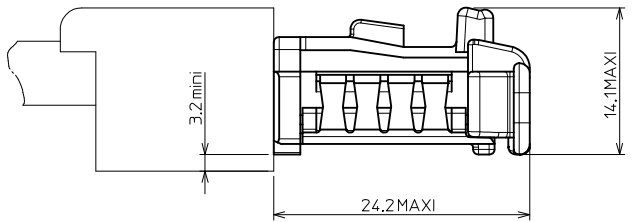
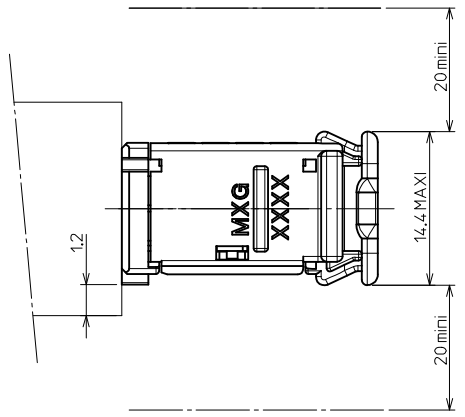


GREEN CODING
P/N 0988171025

CODING 4:1

HANDLING AREA

AREA REQUIRED TO MATE AND UNMATE THE CONNECTOR



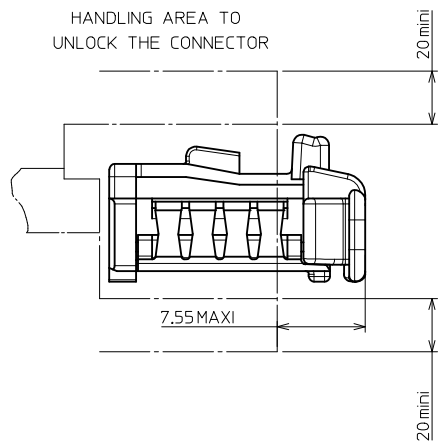
NOTE : 1 - The using conditions of the hinge are showed in the MOLEX specification n°AS-98821-001.

- 2 - Female terminal used : SCC RCPT TERM 1.5mm
- Range 1 : 0988971109 (0.22 mm² to 2x0.22 mm²)
 - Range 2 : 0988971119 (0.5 mm² to 1 mm² included)
 - Range 3 : 0988971129 (2x0.5 mm² to 2 mm² included)

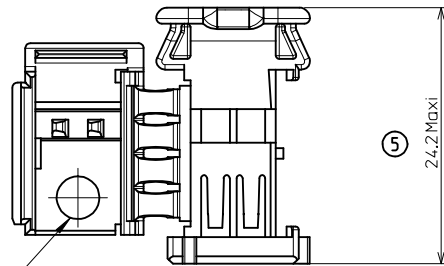
3 - Female connector will mate with male connector P/N 098822102x.

AREA REQUIRED WHEN THE CONNECTOR IS MATED

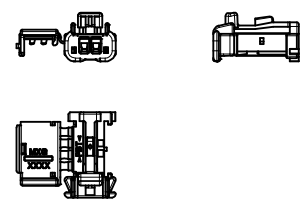
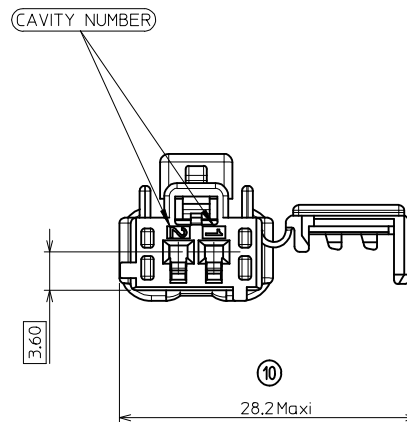
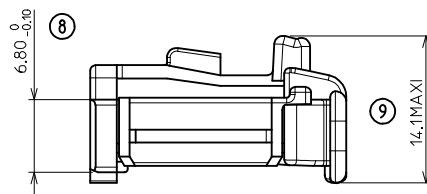
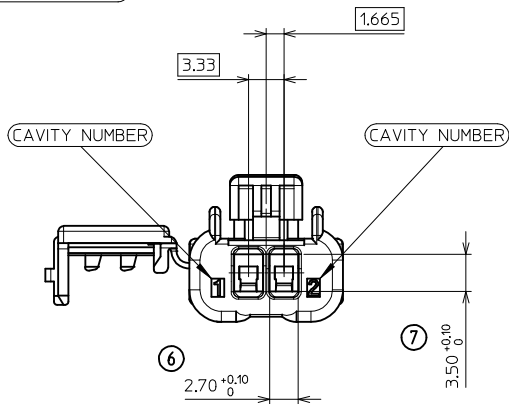
HANDLING AREA TO UNLOCK THE CONNECTOR



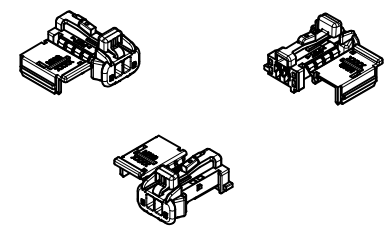
FIRST RELEASE EC NO: G2007-0386 DRAWN: LPOUCHAUD 2008/03/10 CHKD: YIGEL 2008/03/10 APPR: LSTICKEIR 2008/03/10	QUALITY SYMBOLS 	GENERAL TOLERANCES (UNLESS SPECIFIED)		DIMENSION STYLE	SCALE	DESIGN UNITS	THIRD ANGLE PROJECTION	
				MM ONLY	3:1	METRIC		
				DRAWN BY	DATE	TITLE		
				LPOUCHAUD	2008/01/17	NSCC RCPT HSG 1.5 2CKT		
				CHECKED BY	DATE			
				YIGEL	2008/01/17			
				APPROVED BY	DATE			
				LSTICKEIR	2008/01/25			
				MATERIAL NO.				
				SEE CHART				
				SD-98817-001				
				THIS DRAWING CONTAINS INFORMATION THAT IS PROPRIETARY TO MOLEX INCORPORATED AND SHOULD NOT BE USED WITHOUT WRITTEN PERMISSION				



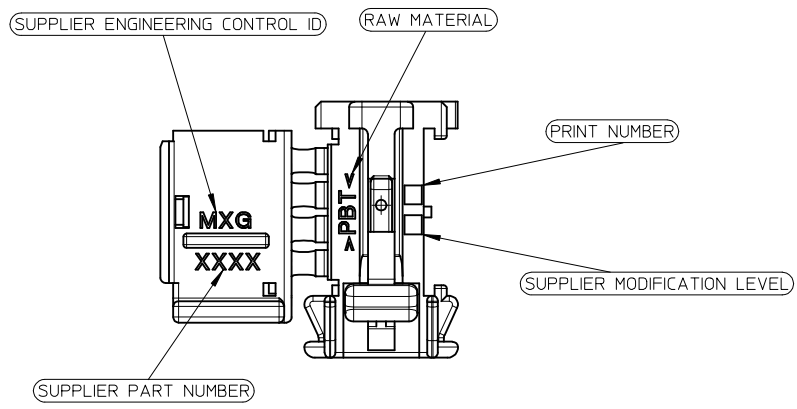
DATUM MONTH/YEAR



1:1



1:1



GREEN CODING (P/N 0988171025) IS SHOWN.

NSCC Rcpt Hsg 1.5 2CKT	0988171028	Grey	POLYESTER (PBT)	1.723 g			
	0988171025	Green					
	0988171021	Black					
	0988171020	White					
Description	Part-Number	Color	Raw Material	Weight effective			
FIRST RELEASE EC NO: G2007-0386 DRWN: LPOUCHAUD 2008/03/10 CHKD: YIGEL 2008/03/10 APPR: LSTICKEIR 2008/03/10	QUALITY SYMBOLS 	GENERAL TOLERANCES (UNLESS SPECIFIED)		DIMENSION STYLE	SCALE	DESIGN UNITS	THIRD ANGLE PROJECTION
		4 PLACES ± --- ± --- 3 PLACES ± --- ± --- 2 PLACES ± 0.05 ± --- 1 PLACE ± 0.1 ± --- ANGULAR ± 1 °	mm INCH ± --- ± --- ± 0.05 ± --- ± 0.1 ± ---	MM ONLY	3:1	METRIC	
A REV	DESCRIPTION	DRAWN BY LPOUCHAUD	DATE 2008/01/17	MOLEX INCORPORATED		DOCUMENT NO. SD-98817-001	SHEET NO. 2 OF 2
		CHECKED BY YIGEL	DATE 2008/01/17	SEE CHART			
DRAFT WHERE APPLICABLE MUST REMAIN WITHIN DIMENSIONS		SIZE A2		THIS DRAWING CONTAINS INFORMATION THAT IS PROPRIETARY TO MOLEX INCORPORATED AND SHOULD NOT BE USED WITHOUT WRITTEN PERMISSION			