



Chipsmall Limited consists of a professional team with an average of over 10 year of expertise in the distribution of electronic components. Based in Hongkong, we have already established firm and mutual-benefit business relationships with customers from,Europe,America and south Asia,supplying obsolete and hard-to-find components to meet their specific needs.

With the principle of “Quality Parts,Customers Priority,Honest Operation,and Considerate Service”,our business mainly focus on the distribution of electronic components. Line cards we deal with include Microchip,ALPS,ROHM,Xilinx,Pulse,ON,Everlight and Freescale. Main products comprise IC,Modules,Potentiometer,IC Socket,Relay,Connector.Our parts cover such applications as commercial,industrial, and automotives areas.

We are looking forward to setting up business relationship with you and hope to provide you with the best service and solution. Let us make a better world for our industry!



Contact us

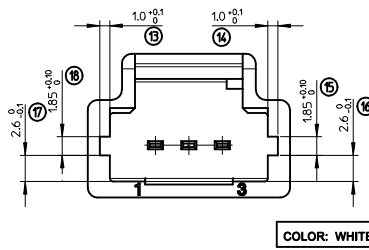
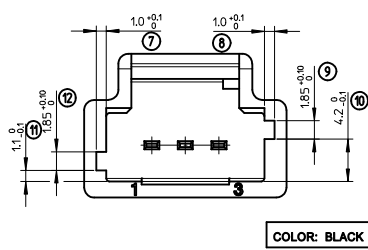
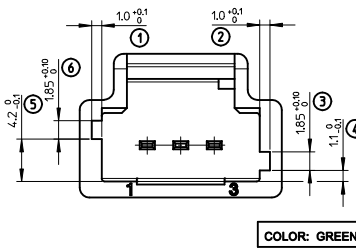
Tel: +86-755-8981 8866 Fax: +86-755-8427 6832

Email & Skype: info@chipsmall.com Web: www.chipsmall.com

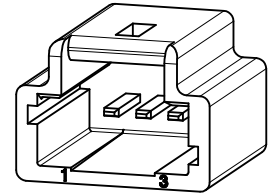
Address: A1208, Overseas Decoration Building, #122 Zhenhua RD., Futian, Shenzhen, China



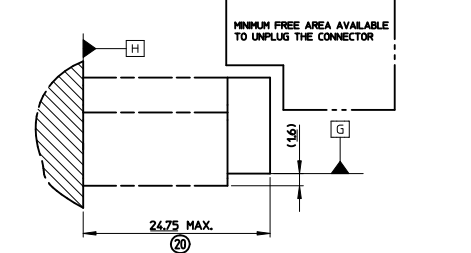
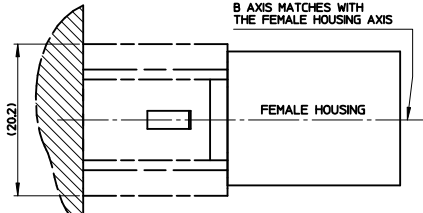
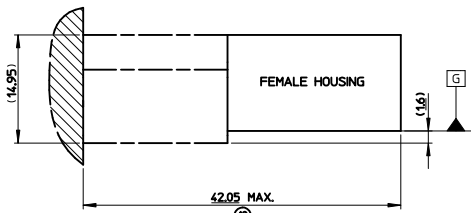
CODINGS



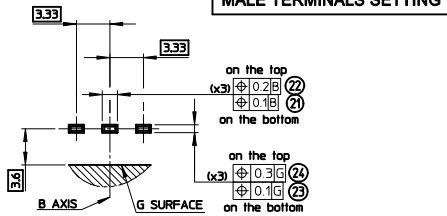
**ISO VIEW
(GREEN CODING)**



OVERALL DIMENSIONS



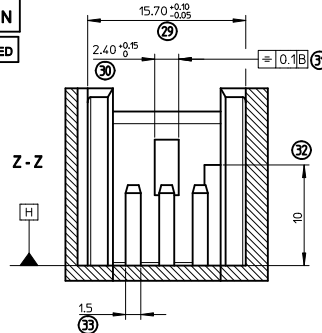
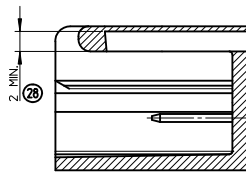
MALE TERMINALS SETTING



HEADER'S DEFINITION

GREEN CODING REPRESENTED

**X - X
VARIABLE**



NOTES:

MALE TERMINALS:

- MALE TERMINALS RESISTANCE: 100N MIN IN MALE TERM. AXIS.
- MATERIAL: COPPER, COPPER ALLOY OR BRASS.
- FINISHES: TIN PLATED 2μ MIN.

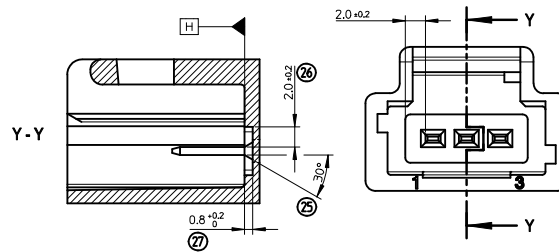
HEADER:

- RADII WITHOUT DIM: R=0.3MM
- E MIN: MINIMUM MATERIAL THICKNESS RECOMMENDED FOR SPECIFIED MATERIAL
- MATERIAL: PBT (RECOMMENDED) 63
- * WARPING: 0.5MM MAX. ACCEPTED ON "x" DIM. WITH ANOTHER EXTERNAL SHAPE AS DRAWN WHEN PLUGGED.

MATES WITH:

- MOLEX CONNECTORS 98817-103X

MALE TERMINALS VARIABLE SETTING



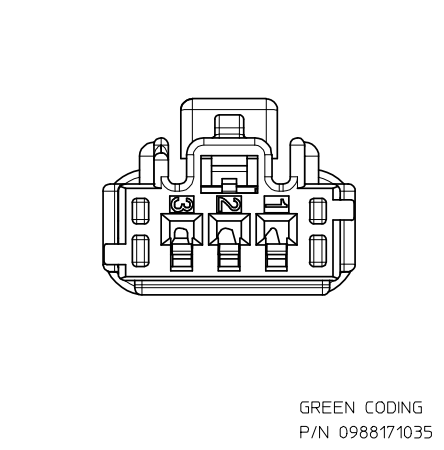
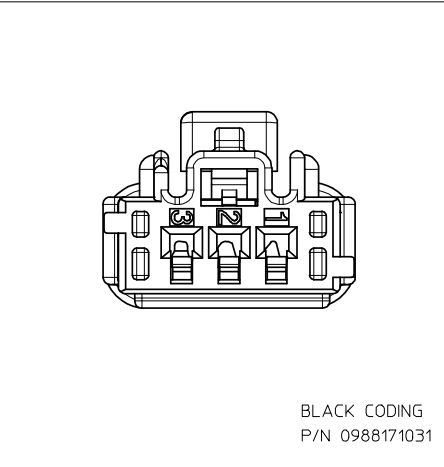
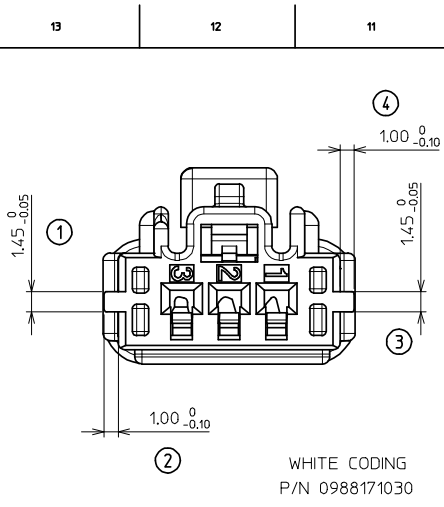
REV.	FIRST	LAST	DELETED	SUPERSEDED
A	1	63		

INSPECTION NUMBERS

PRINT 1ST RELEASE EC NO: G2012-0780 DRAWING DESBRUERES 2012/04/18 CHKD: JDUCLIOS 2012/04/18 APPROVED: DPLESSIS 2012/04/23	QUALITY SYMBOLS	GENERAL TOLERANCES (UNLESS SPECIFIED)	
		mm	INCH
DRAFT WHERE APPLICABLE MUST REMAIN WITHIN DIMENSIONS	4 PLACES	±	---
	3 PLACES	±	---
	2 PLACES	±	0.1
	1 PLACE	±	0.1
0 PLACE	±		
		ANGULAR ± 2 °	

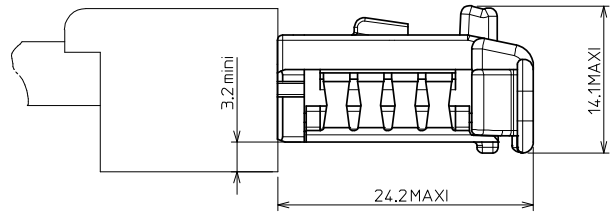
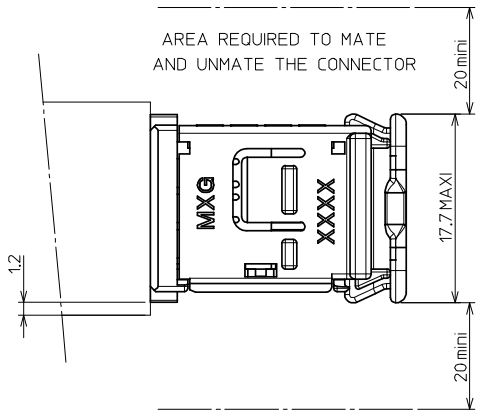
DIMENSION STYLE	SCALE	DESIGN UNITS	FIRST ANGLE PROJECTION
MM ONLY	4:1	METRIC	<input checked="" type="checkbox"/> FIRST ANGLE PROJECTION
DRAWN BY	DATE	TITLE	
GDESBRUERES	2012/04/18	3W INTERFACE 1.5 TERM. (FOR FEMALE HOUSING)	
CHECKED BY	DATE		
JDUCLIOS	2012/04/18		
APPROVED BY	DATE		
DPLESSIS	2012/04/23		
MATERIAL NO.	DOCUMENT NO.	SHEET NO.	
N/A	SD-98815-003	1 OF 1	

REV.	MODIFICATIONS
A	-PRINT FIRST RELEASE



CODING 4:1

HANDLING AREA

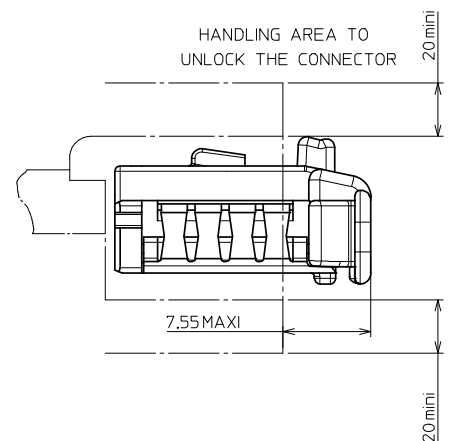


NOTE : 1 - The using conditions of the hinge are shown in the MOLEX specification n°AS-98821-001.

- 2 - Female terminal used : SCC RCPT TERM 1.5mm
- Range 1 : 0988971109 (0.22 mm² to 2x0.22 mm²)
 - Range 2 : 0988971119 (0.5 mm² to 1 mm² included)
 - Range 3 : 0988971129 (2x0.5 mm² to 2 mm² included)

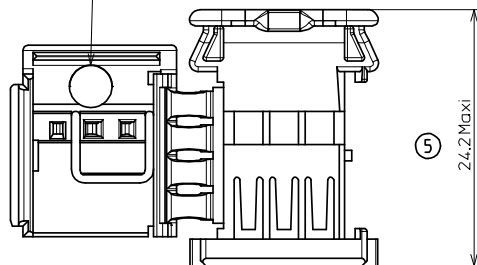
3 - Female connector will mate with male connector P/N 098822103x.

AREA REQUIRED WHEN THE CONNECTOR IS MATED

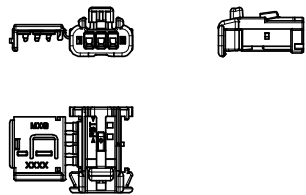


FIRST RELEASE EC NO: G2007-0386 DRAWN: LPOUCHAUD 2008/03/10 CHKD: YIGEL 2008/03/10 APPR: LSTICKEIR 2008/03/10	QUALITY SYMBOLS ▽=0 ▽=0	GENERAL TOLERANCES (UNLESS SPECIFIED)		DIMENSION STYLE MM ONLY	SCALE 3:1	DESIGN UNITS METRIC	THIRD ANGLE PROJECTION	
		4 PLACES ± ---	± ---	DRAWN BY LPOUCHAUD	DATE 2008/02/21	TITLE NSCC RCPT HSG 1.5 3CKT		
		3 PLACES ± ---	± ---	CHECKED BY YIGEL	DATE 2008/02/22			
		2 PLACES ± 0.05	± ---	APPROVED BY LSTICKEIR	DATE 2008/02/27	MOLEX MOLEX INCORPORATED		
		1 PLACE ± 0.1	± ---	MATERIAL NO.		DOCUMENT NO. SD-98817-002	SHEET NO. 1 OF 2	
		ANGULAR ± 1°		SEE CHART				
		DRAFT WHERE APPLICABLE MUST REMAIN WITHIN DIMENSIONS		THIS DRAWING CONTAINS INFORMATION THAT IS PROPRIETARY TO MOLEX INCORPORATED AND SHOULD NOT BE USED WITHOUT WRITTEN PERMISSION				

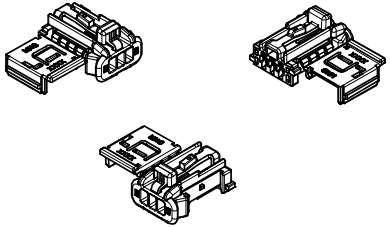
DATUM MONTH/YEAR



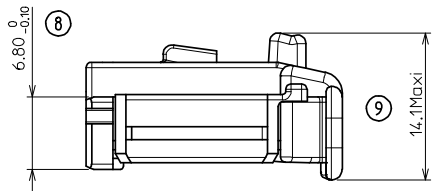
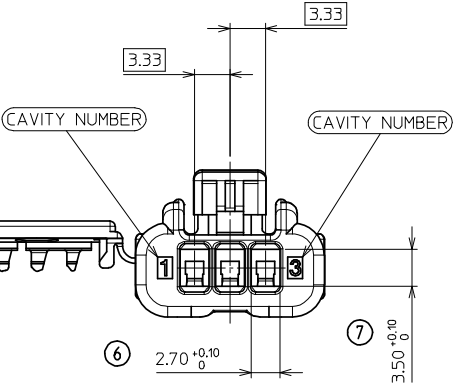
5 24.2 Max



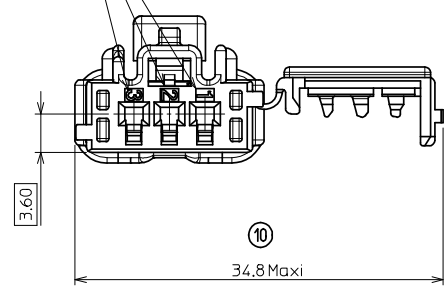
1:1



1:1



CAVITY NUMBER

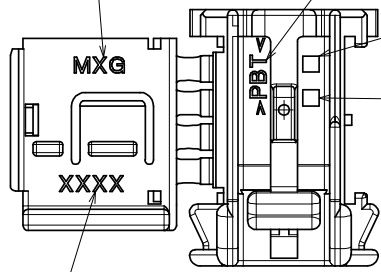


SUPPLIER ENGINEERING CONTROL ID

RAW MATERIAL

PRINT NUMBER

SUPPLIER MODIFICATION LEVEL



SUPPLIER PART NUMBER

GREEN CODING (P/N 0988171035) IS SHOWN.

NSCC Rcpt Hsg 15 3CKT		0988171035	Green	POLYESTER (PBT)	2.149 g				
		0988171031	Black						
		0988171030	White						
Description		Part-Number	Color	Raw Material	Weight effective				
FIRST RELEASE EC NO: G2007-0386 DRAWN: LPOUCHAUD 2008/03/10 CHKD: YIGEL 2008/03/10 APPR: LSTICKEIR 2008/03/10	QUALITY SYMBOLS 	GENERAL TOLERANCES (UNLESS SPECIFIED)		DIMENSION STYLE	SCALE	DESIGN UNITS	THIRD ANGLE PROJECTION		
				MM ONLY	1:1	METRIC			
		4 PLACES	±	---	---	DRAWN BY LPOUCHAUD DATE 2008/02/21		TITLE NSCC RCPT HSG 1.5 3CKT	
		3 PLACES	±	---	---	CHECKED BY YIGEL DATE 2008/02/22			
2 PLACES	±	0.05	---	APPROVED BY LSTICKEIR DATE 2008/02/27					
1 PLACE	±	0.1	---	MATERIAL NO.					
ANGULAR ± 1 °		DRAFT WHERE APPLICABLE MUST REMAIN WITHIN DIMENSIONS		SEE CHART		MOLEX INCORPORATED DOCUMENT NO. SD-98817-002			
SIZE A 2		THIS DRAWING CONTAINS INFORMATION THAT IS PROPRIETARY TO MOLEX INCORPORATED AND SHOULD NOT BE USED WITHOUT WRITTEN PERMISSION							