



Chipsmall Limited consists of a professional team with an average of over 10 year of expertise in the distribution of electronic components. Based in Hongkong, we have already established firm and mutual-benefit business relationships with customers from,Europe,America and south Asia,supplying obsolete and hard-to-find components to meet their specific needs.

With the principle of “Quality Parts,Customers Priority,Honest Operation,and Considerate Service”,our business mainly focus on the distribution of electronic components. Line cards we deal with include Microchip,ALPS,ROHM,Xilinx,Pulse,ON,Everlight and Freescale. Main products comprise IC,Modules,Potentiometer,IC Socket,Relay,Connector.Our parts cover such applications as commercial,industrial, and automotives areas.

We are looking forward to setting up business relationship with you and hope to provide you with the best service and solution. Let us make a better world for our industry!



Contact us

Tel: +86-755-8981 8866 Fax: +86-755-8427 6832

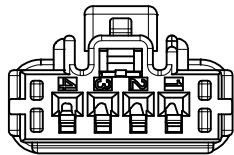
Email & Skype: info@chipsmall.com Web: www.chipsmall.com

Address: A1208, Overseas Decoration Building, #122 Zhenhua RD., Futian, Shenzhen, China

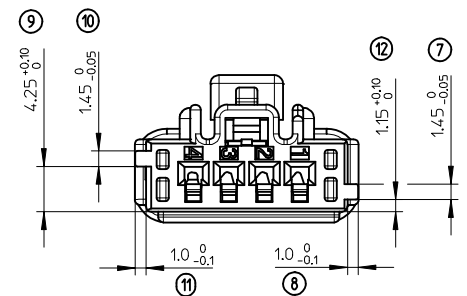


13	12	11	10	9	8	7	6	5	4	3	2	1
----	----	----	----	---	---	---	---	---	---	---	---	---

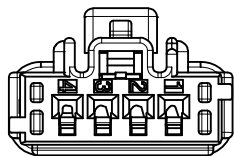
P/N°:	0988171040	COLOR:	WHITE
-------	------------	--------	-------



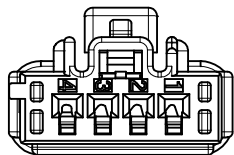
P/N°:	0988171041	COLOR:	BLACK
-------	------------	--------	-------



P/N°:	0988171045	COLOR:	GREEN
-------	------------	--------	-------

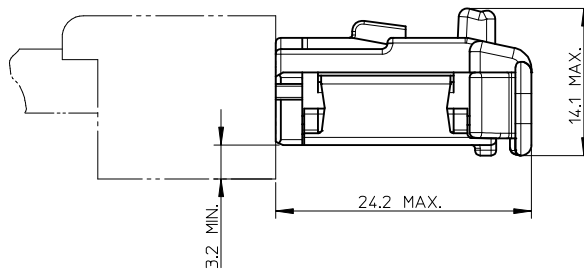
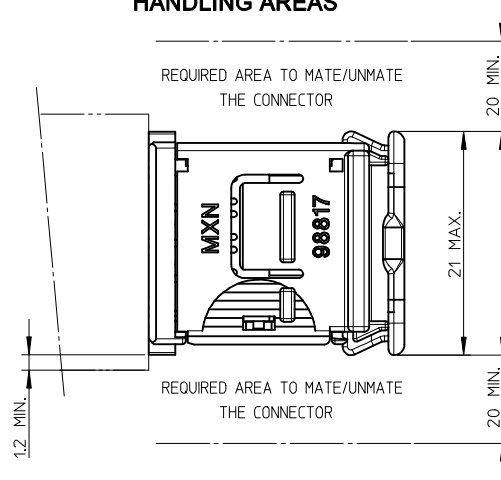


P/N°:	0988171048	COLOR:	GREY
-------	------------	--------	------



CODINGS

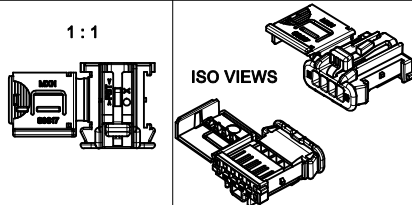
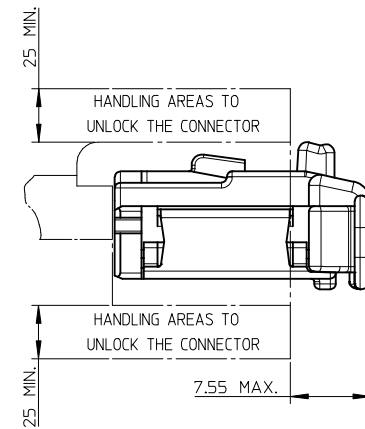
HANDLING AREAS



NOTES:

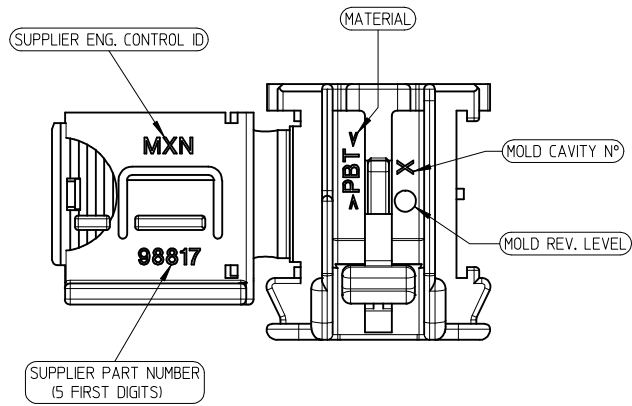
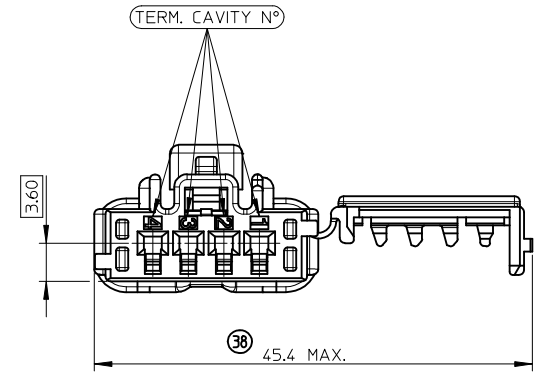
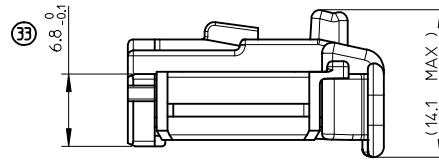
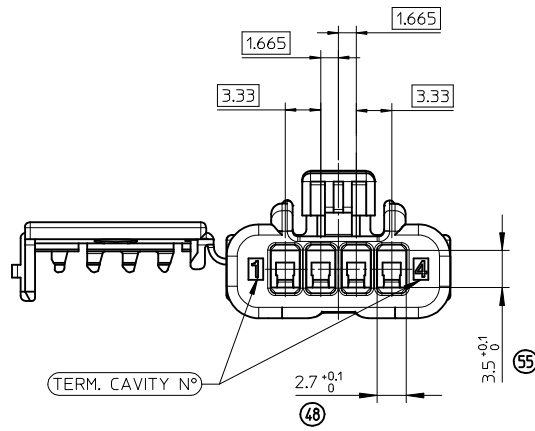
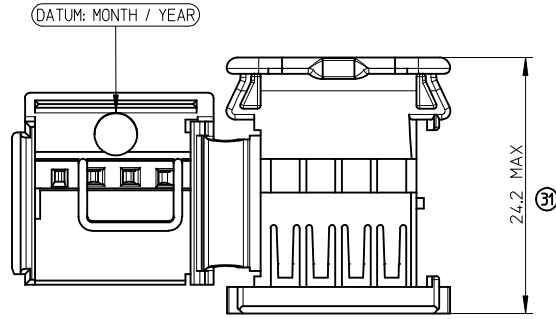
- 1 - THE USING CONDITIONS OF THE HINGE ARE SHOWN ONTO MOLEX SPECIFICATION N° AS-98821-001.
- 2 - FEMALE TERMINAL USED: SCC RCPT TERM. 1.5mm
 - RANGE 1 : 0988971109 (0.22mm² TO 2x0.22mm²)
 - RANGE 2 : 0988971119 (0.5mm² TO 1mm² INCLUDED)
 - RANGE 3 : 0988971129 (2x0.5mm² TO 2mm² INCLUDED)
- 3 - FEMALE CONNECTOR WILL MATE WITH MALE CONNECTOR P/N° 098822104x OR HEADER P/N° 098773101x.
- 4 - MATERIAL: (PBT)
- 5 - WEIGHT: 2.480 g

REQUIRED AREAS WHEN THE CONNECTOR IS MATED



NEW HINGE DESIGN EC NO: G2014-0015 DRWNG: GDSR/RES 2013/08/20 CHKD: A. HERBELIN 2014/06/19 APPR: OP/LESSJS 2014/07/03	QUALITY SYMBOL V=0 V=1 V=2 V=3	GENERAL TOLERANCES (UNLESS SPECIFIED)		DIMENSION STYLE MM ONLY		SCALE 3:1	DESIGN UNITS METRIC	FIRST ANGLE PROJECTION	
			mm	INCH	DRAWN BY LPOUCHAUD	DATE 2008/03/26	TITLE NSCC RCPT HSG WIRE 4CKT (1.5 UNSEALED)		
		4 PLACES	± ---	± ---	CHECKED BY YIGEL	DATE 2008/03/26			
		3 PLACES	± ---	± ---	APPROVED BY LSTICKEIR	DATE 2008/03/28			
2 PLACES	± 0.05	± ---	ANGULAR ± 1 ° DRAFT WHERE APPLICABLE MUST REMAIN WITHIN DIMENSIONS						
1 PLACE	± 0.1	± ---	SEE CHART THIS DRAWING CONTAINS INFORMATION THAT IS PROPRIETARY TO MOLEX INCORPORATED AND SHOULD NOT BE USED WITHOUT WRITTEN PERMISSION						
0 PLACE	± 0.1	± ---							

12	11	10	9	8	7	6	5	4	3	2	1
----	----	----	---	---	---	---	---	---	---	---	---



NEW HINGE DESIGN EC NO: G2014-0015 DRAWN: GDESBRUERES 2013/08/20 CHKD: A.HERBELIN 2014/06/19 APPR: OPLESSIS 2014/07/03	QUALITY SYMBOLS 	GENERAL TOLERANCES (UNLESS SPECIFIED)		DIMENSION STYLE MM ONLY		SCALE 1:1	DESIGN UNITS METRIC	FIRST ANGLE PROJECTION	
		4 PLACES ± --- ± ---	mm	INCH	DRAWN BY LPOUCHAUD	DATE 2008/03/26	TITLE NSCC RCPT HSG WIRE 4CKT (1.5 UNSEALED)		
		3 PLACES ± --- ± ---	± 0.05	± ---	CHECKED BY YIGEL	DATE 2008/03/26			
		2 PLACES ± 0.1 ± ---	± 0.1	± ---	APPROVED BY LSTICKEIR	DATE 2008/03/28	MATERIAL NO. SEE SHEET 1/2	DOCUMENT NO. SD-98817-003	SHEET NO. 2 OF 2
1 PLACE ± 0.1 ± ---	ANGULAR ± 1 °		DRAFT WHERE APPLICABLE MUST REMAIN WITHIN DIMENSIONS						
0 PLACE ± 0.1 ± ---	THIS DRAWING CONTAINS INFORMATION THAT IS PROPRIETARY TO MOLEX INCORPORATED AND SHOULD NOT BE USED WITHOUT WRITTEN PERMISSION								